

# Vent-Free Stoves

## Empire Cast Iron VFD30CC

### Spec Sheet



AMERICAN HEARTH



#### ACTUAL DIMENSIONS

28 1/16" W x 27 3/4" H x 17 1/8" D

#### INCLUDES

- 6-piece log set

#### REQUIRES

- RCK30 Replacement control cover required for RVKN or RVKP

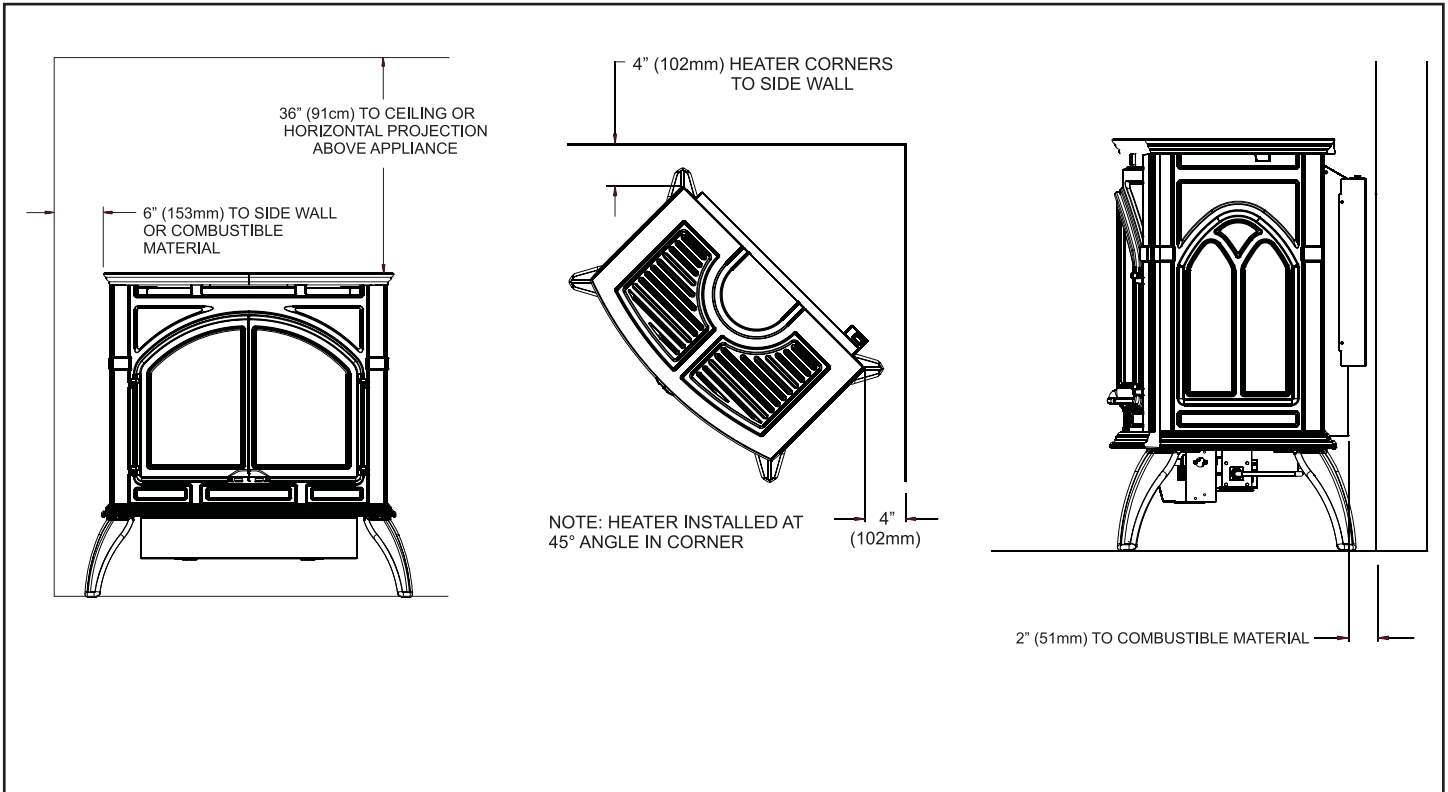
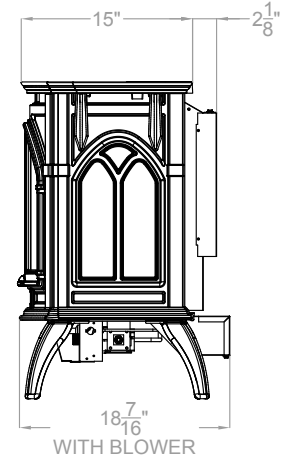
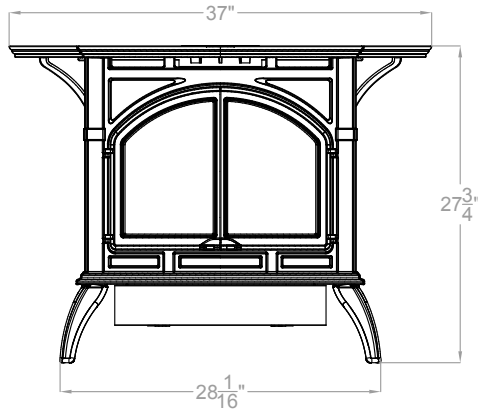
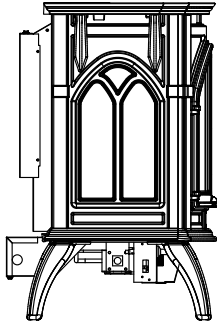
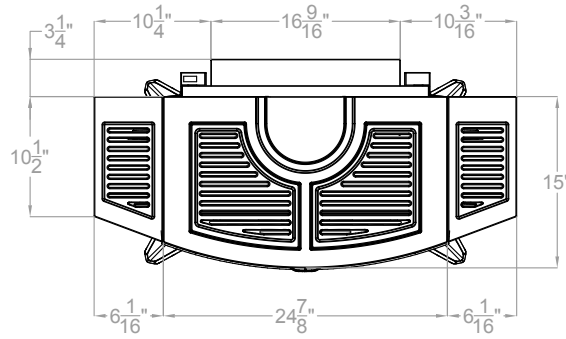
#### TECHNICAL INFORMATION

- Maximum heat output: 25,000 BTU (LP, Nat)
- Weight: 205 lbs.
- Type of Gas: LP or Natural
- Ignition Systems: Intermittent Pilot or Millivolt
- Clearances:
  - Top of appliance: 36"
  - Rear Wall: 2"
  - Side Wall: 6"
  - Heater Corners (45° angle) to wall: 4"
  - Floor: 0"

#### FIELD INSTALLED ACCESSORIES

- Cast Iron Stove Shelf Kit:
  - Matte Black, Matte Pewter, Porcelain Black, Porcelain Mahogany, Porcelain Sand
- Blower
- Remote Control Options

# VFD30CC



Empire is committed to continuous product improvement; specifications are subject to change without notice. Dimensions in this brochure are approximate; read and follow the framing dimensions in the owners manual supplied with your Empire product. Flame size, shape, and color will vary from photos. Our mantels feature natural veneers and hand-rubbed finishes – wood grain and color will vary. Adjust light levels and use “natural light” incandescent bulbs to enhance the dramatic look for your wooden mantel.

Member of the following industry associations:



This appliance is design-certified to the ANSI standard by:



SINCE 1932

Empire Comfort Systems Inc.  
918 Freeburg Ave.  
Belleville, IL 62220-2623  
info@empirecomfort.com  
01/18

The Empire Comfort Systems and White Mountain Hearth names and logos are registered U.S. trademarks.