



# DVT-2 EXTENDED VENT TERMINAL INSTALLATION INSTRUCTIONS

FAN TYPE DIRECT VENT WALL FURNACES – DVT-2 EXTENDED VENT TERMINAL KIT NO. (DV-1191)

15844 - EFFECTIVE DATE JULY, 2003

The DVT-2 extended vent terminal is for wall depths between 10" (254mm) and 32" (812mm).

Parts List Additional Parts for Installation of DVT-2 are provided within the appliance carton. Refer to Installation Instructions and Owner's Manual.

PARTS LIST		
Part Description	DVT-2 Kit Number DV-1191	Quantity Supplied
Vent Assembly	DV-1266	1
Termination Cap	R-3117	1

## DVT-2 INSTALLATION INSTRUCTIONS

### Locating Wall Opening

Locate wall studs so that wall vent opening will be located between wall studs. The wall studs can be used for attachment of wall mounting bracket. The wall opening required for venting is a 3-1/4" (83mm) diameter opening.

Refer to drawing for positioning the furnace on wall and for locating gas line connection and vent opening. Furnace can sit on the floor and should be secured to the wall through the wall bracket secured to the rear, top shroud. **See Figure 1.**

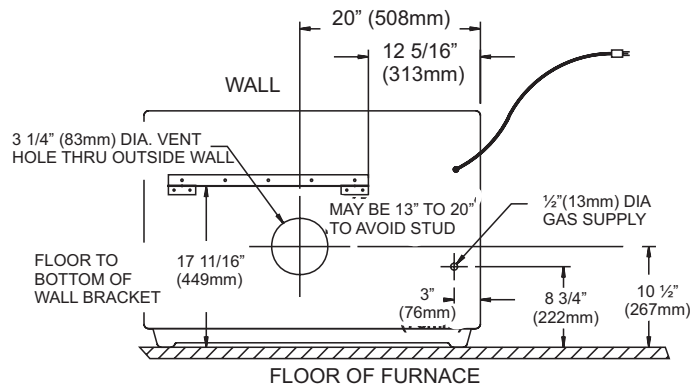


Figure 1

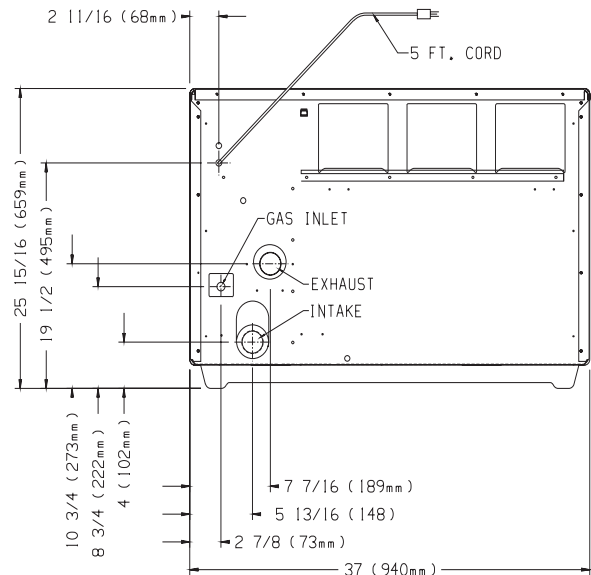


Figure 2

### Installing Wall Bracket

After finding a location for the furnace, gas supply and vent, the wall bracket must be positioned and installed. The bracket should be mounted to the wall studs, if possible, or anchored solidly to the wall. Use the (2) 1" (25mm) screws or (2) plastic anchors. Drill (2) 5/16" (8mm) diameter holes in wall if plastic anchors are used. Attach the two wall mounting brackets to the casing back by using (4) 1/2" (13mm) screws. **See Figure 3.**

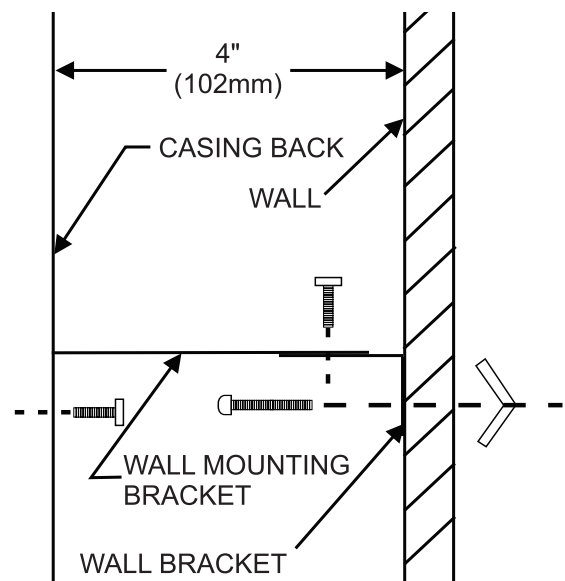


Figure 3

To mount furnace first attach the 2 rear side shroud pieces to the unit using the 1/2" (13mm) length screws and then install vent pipes.

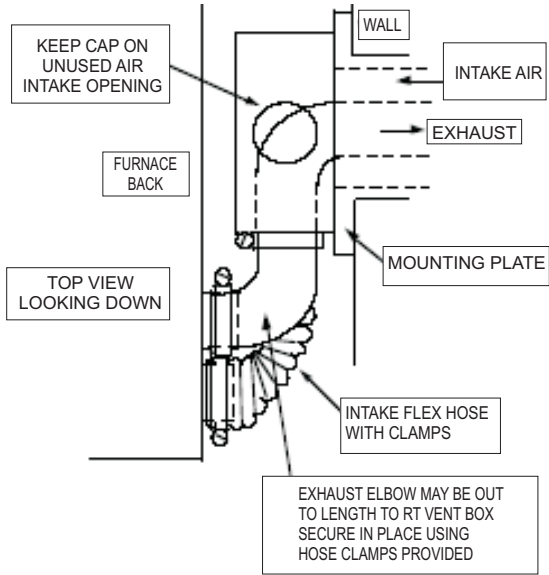


Figure 4

**Venting**

This unit is vented directly out the back using the concentric vent tube assembly provided. See Figure 1 for vent hole location. This hole location can be conveniently moved closer to unit exhaust outlet tube to avoid wall stud interference if necessary. The orange silicone exhaust elbow would need to be cut to length. Do not locate vent directly behind the exhaust outlet. Do not use the orange silicone elbow for extended vent runs where the possibility of flue condensate exists unless the run is horizontal and the elbow is sloped downward away from the heater.

The vent provided will accommodate walls up to 10" thick and can be cut shorter for thinner walls if desired by using a hacksaw or cut-off saw. Be sure to leave the minimum 3/4" of tube length extending beyond the outside wall plate. Both the inner and outer tube will be cut to the same length as the inner exhaust tube has an extension piece which is added during final outside assembly.

**See Figure 5.**

Be sure to deburr the ends with a file after cutting. Installation is easy after cutting the wall opening secure the vent terminal box in place using the 4 screws provided. Locate the box so that the middle exhaust tube is directed toward the furnace exhaust outlet opening. See Figure 6. Attach the black 2" flexible inlet air hose to the bottom 2" connector on the vent box using a hose clamp. Secure the other end to the lower inlet air box connector using the hose clamp. Do not kink hose. Attach the long straight end of the 2" orange silicone exhaust elbow to the middle vent terminal tube and rotate the elbow toward the furnace exhaust outlet. Secure the hose to the vent box using a hose clamp. Carefully push the furnace back closer to the wall and secure the exhaust elbow to the 2" exhaust tube exiting the unit. Secure the elbow in place using the last remaining hose clamp. The furnace can now be secured to the wall.

For wall depths thicker than 10" (254mm) order the extended vent terminal kit which will cover walls to 32" (813mm) thickness. The vent pipes must be cut to length to assemble for desired wall thickness. Do not extend venting beyond the 32" maximum length.

To complete inside installation, secure furnace to the wall bracket by attaching the two wall mounting brackets to the wall bracket by using (2) 1/2" (13mm) screws provided. See Figure 3 and Figure 4. Secure the top shroud in place by attaching 2 screws to each side shroud. This will keep the unit up against the wall.

**Vent Terminal**

Place the 6 3/8" x 6 3/8" (162mm x 162mm) black foam, wall plate gasket within the mounting plate. The 4-3/4" (121mm) diameter hole in the black foam gasket will allow for installation of the concentric vent tube assembly. Slide the outside mounting plate into place on the concentric vent tube assembly. The outside mounting plate should seal against the face of the building and be secured in place using 4 screws. See Figure 5. Be sure to caulk and seal around the pipe on the exterior using high temperature exterior grade, silicone caulk rated at 204°C/400°F. Wipe some silicone sealant on the 2" (51mm) exhaust pipe extension. The end cap can be pushed into place on the exhaust outlet tube. Attention: The opening on the bottom of the end cap must be positioned toward the ground. The opening on the bottom cannot be pivoted to the right or left, it must be centered toward the ground.

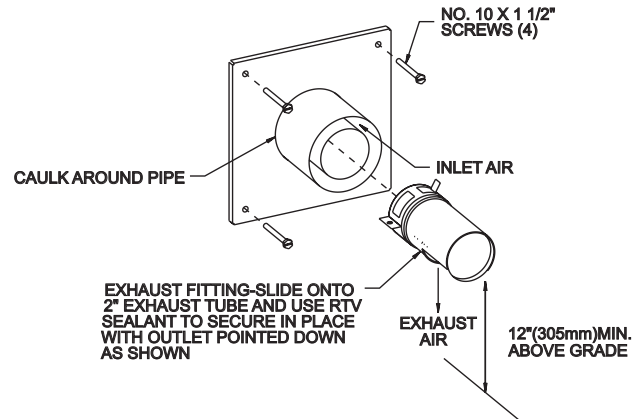


Figure 5

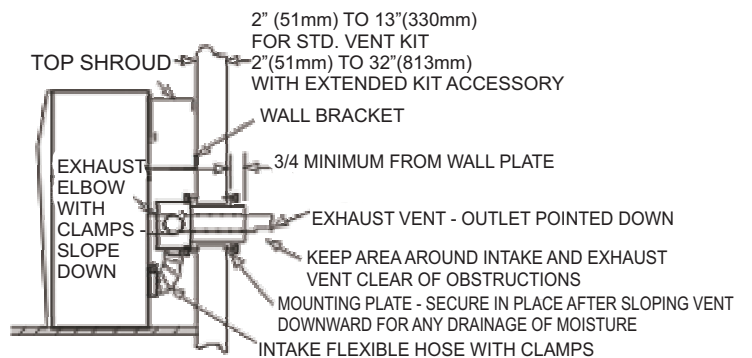


Figure 6