

INSTALLATION INSTRUCTIONS

DCA1ABL-1 ANDIRONS

FOR USE ON: (A)DVTL27FP90, (A)DVCX FIREPLACES, DVCT(36,40,50)CFP95, AND DVCT40CSP

INSTRUCTIONS MUST BE LEFT WITH THE OWNER FOR FUTURE REFERENCE AFTER INSTALLATION.

1. Remove Offset Frame and Glass Frame assembly.
See Fireplace Installation Instructions.
(A)DVCX models only: Remove control panel.
See Fireplace installation instructions.
2. Adjust bracket to correct position depending on unit you have. **See Figure 3 below.**
3. Place Andirons into Firebox.
 - The Andiron "legs" must sit on the firebox floor, brick, ember bed, stone, or sheet metal liners.
 - The Rear Bracket of each Andiron must rest upon the left or right edge of the Burner.
 - If necessary, adjust the height of the Rear Bracket by loosening the nut on the back side. Use a 7/16-inch wrench or socket.
4. Replace items removed in Step 1. See Fireplace Installation Instructions.

DCA1ABL-1 PARTS LIST		
Part Number	Description	Quantity Supplied
33971	Andiron Assembly	2

(A) DVTL FIREPLACE

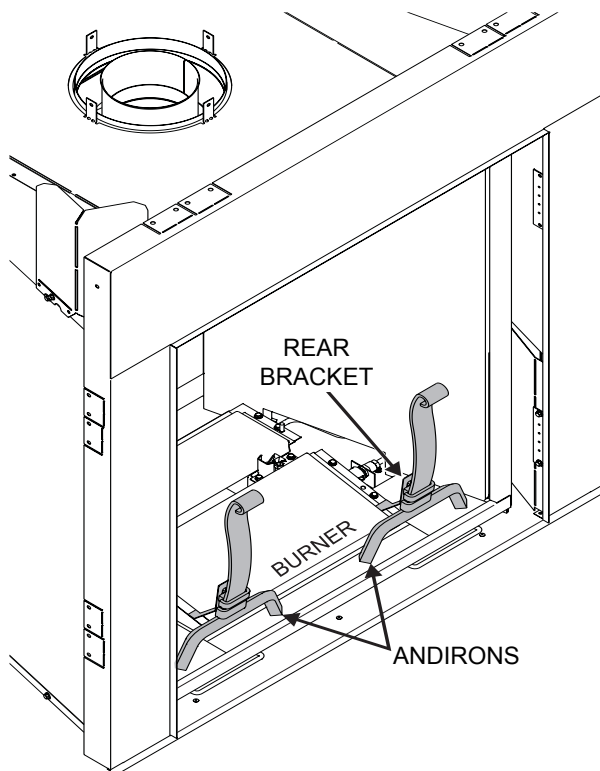


Figure 1

NOTE: Logs and embers removed for clarity.

(A) DVCX FIREPLACE

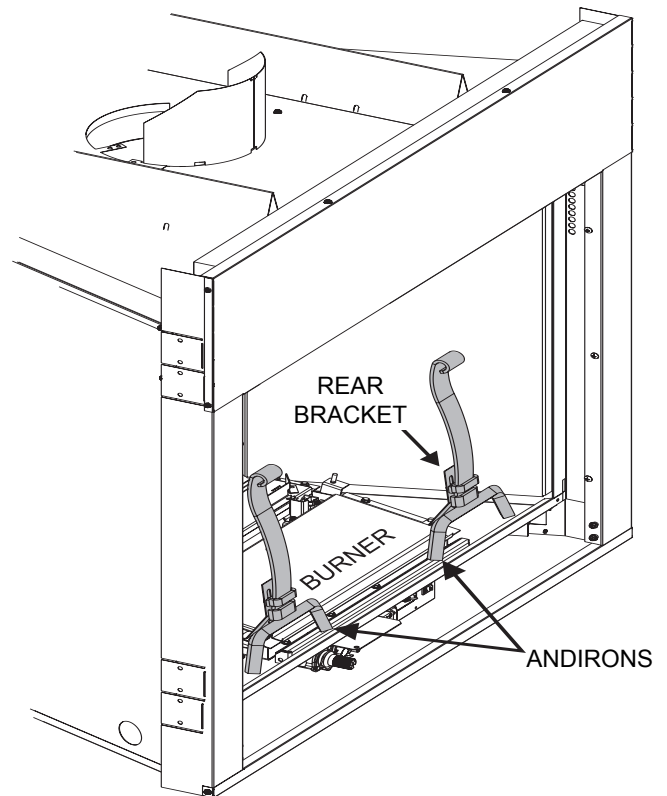
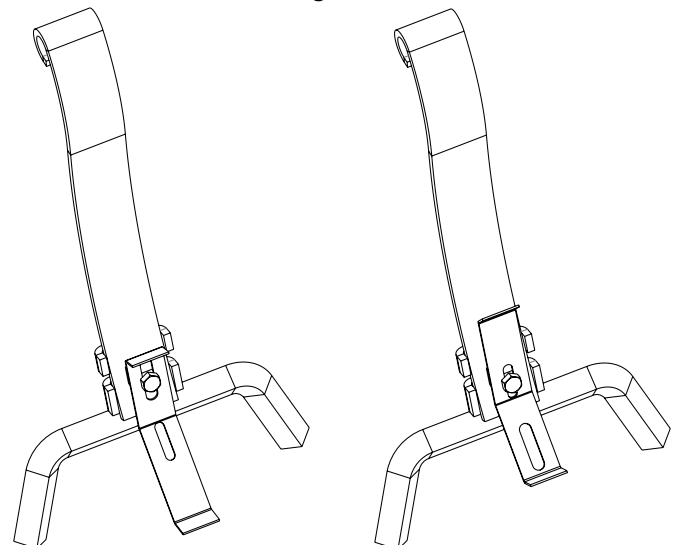


Figure 2

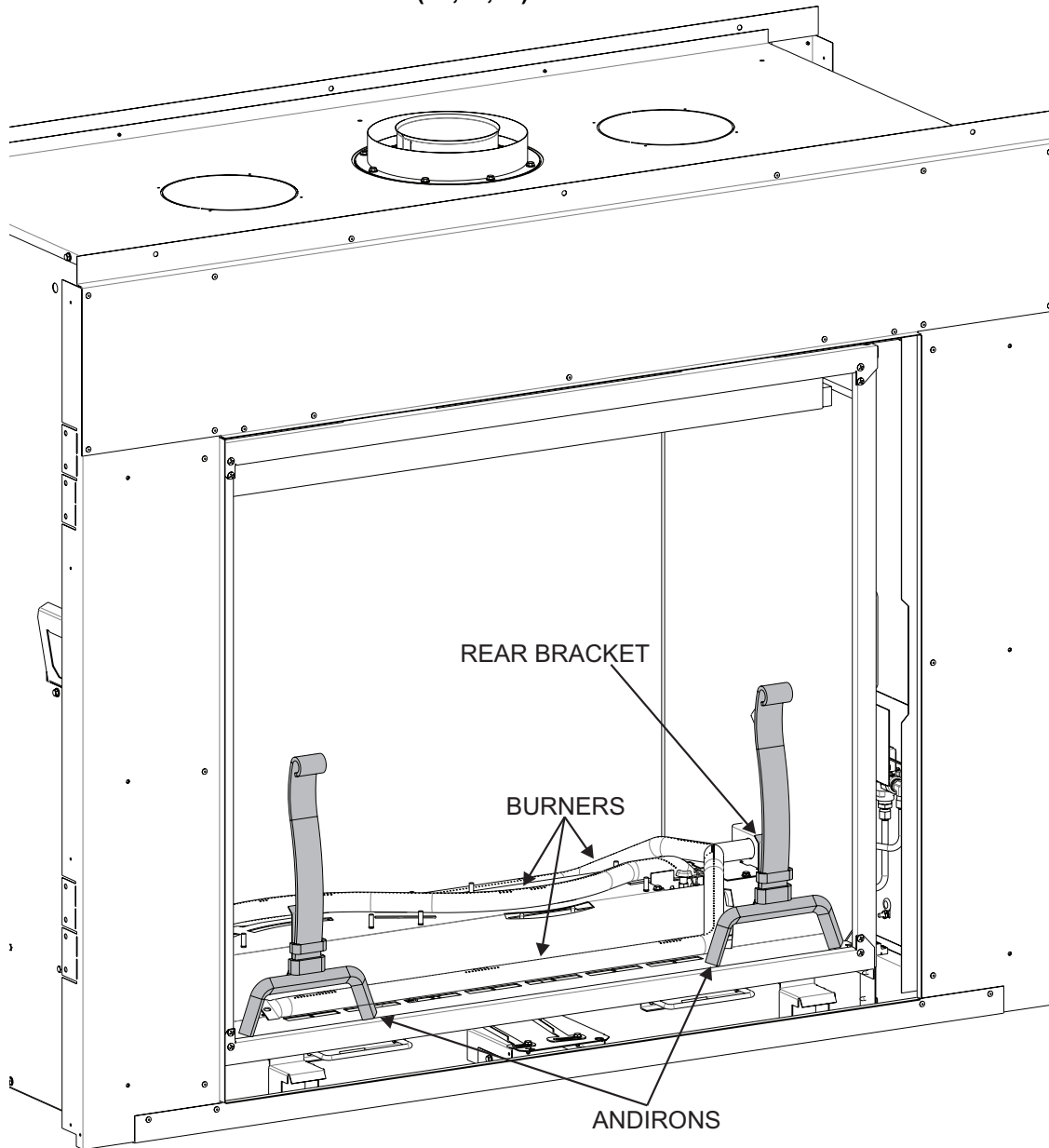


POSITION (A)
For All Other Units

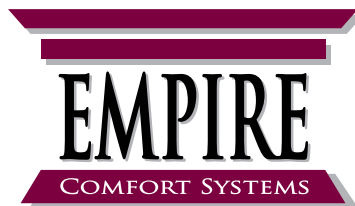
POSITION (B)
For See-Thru

Figure 3

DVCT(36,40,50) FIREPLACE



NOTE: Logs and embers removed for clarity.



SINCE 1932

www.empirecomfort.com

Empire Comfort Systems Inc.
Belleville, IL

If you have a general question
about our products, please e-mail
us at info@empirecomfort.com.

If you have a service or repair
question, please contact your dealer.