

INSTALLATION INSTRUCTIONS GAS CONVERSION MANUAL VALVE

MODELS USED ON	CONVERSION KIT PART NUMBER
BFM(18,2124,30)MTN	CKV115

FOR CONVERSION TO PROPANE GAS

⚠ WARNING

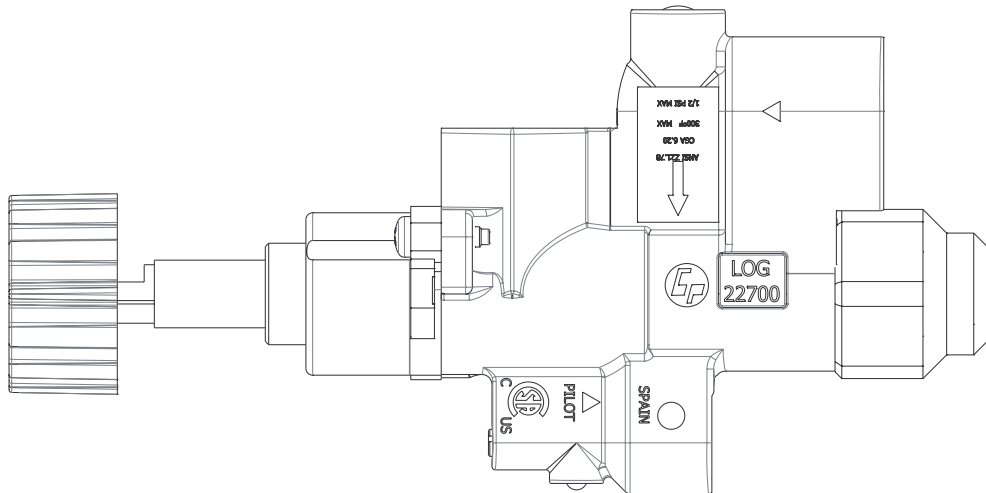
This conversion kit is to be installed by an Empire Comfort Systems Inc. distributor (or other qualified agency¹)* in accordance with the manufacturer's instructions and all codes and requirements of the authority having jurisdiction. Failure to follow instructions could result in serious injury or property damage. The qualified agency performing this work assumes responsibility for this conversion.

¹National Fuel Gas Code Z223.1 (Latest Edition), Natural Gas and Propane Installation Code, CSA B149.1.

*The term "qualified agency" means any individual, firm, corporation or company which either in person or through a representative is engaged in and is responsible for (A) the installation of gas piping or (b) the connection, installation repair, or servicing of equipment, who is experienced in such work, familiar with all precautions required, and has complied with all the requirements of the authority having jurisdiction.

⚠ WARNING

Perform the safety shutdown test anytime work is done on a gas system to avoid the possibility of fire or explosion with property damage, personal injury or loss of life.



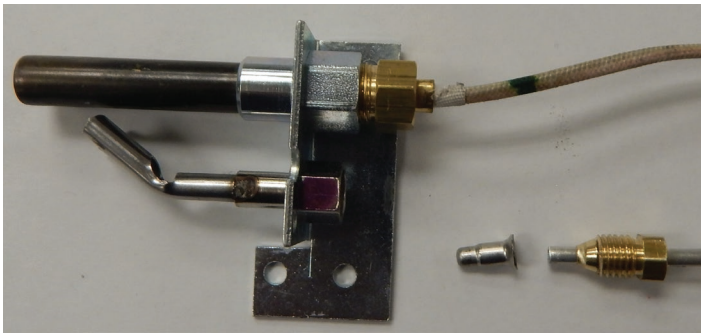
PARTS LIST

Models	Main Burner Propane Orifice	Pilot Orifice	Conversion Label	Gas Conversion Label	Regulator, 10.0 W.C.
BFM18MTN	P210 (#51)	R12069 (LPG #8)	R1322	R1321	R7159
BFM2124MTN	P252 (#44)	R12069 (LPG #8)	R1322	R1321	R7159
BFM30MTN	P286 (#42)	R12069 (LPG #8)	R1322	R1321	R7159

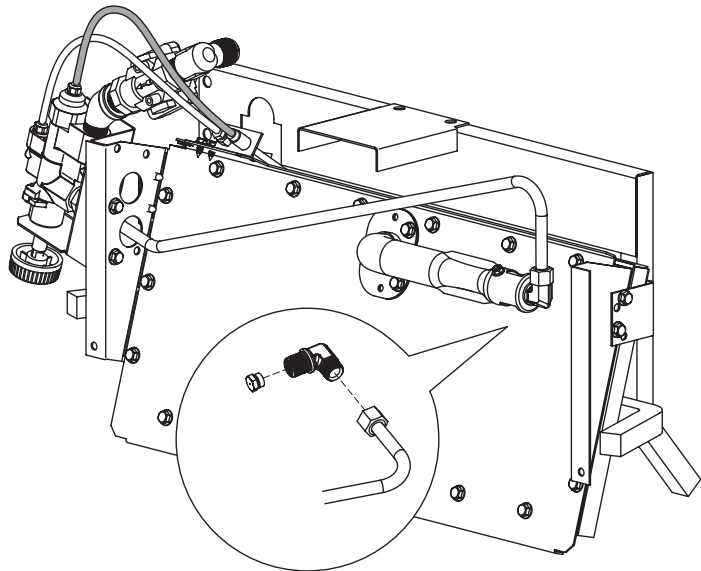
The vented burner when converted to Propane Gas will have manifold pressure of 10.0" w.c. at the valve outlet with the inlet pressure to the valve from a minimum of 11.0" w.c., for the purpose of input adjustment, to a maximum of 13.0" w.c.

INSTRUCTIONS FOR CONVERSION

1. Remove logs, rockwool and lava rock from burner.
2. If burner is installed, turn off gas supply before making conversion.
3. Depress and turn gas supply valve dial on valve to "OFF" position. Disconnect gas inlet line from valve.
4. Disconnect pilot tubing at the pilot burner.
5. Remove pilot orifice from pilot and replace with Propane pilot orifice marked 8 supplied in conversion kit.



6. Remove the main burner orifice and replace with Propane main burner orifice supplied in conversion kit. The orifices included in this kit are stamped with their sizes. Use the correct orifice for your burner, as called out in the parts list table. Using the wrong orifice will result in improper burner operations. Set Air Shutter to full open before reinstalling Brass Elbow.



7. Remove inline regulator marked 5.3 on gas valve assembly.
8. Install regulator marked 10.0 supplied in conversion kit. Use pipe dope on threaded connections.
9. The converted burner must be connected to a supply of the conversion gas and checked for leaks.

10. The burner must be checked to ensure it is operating at the correct pressure of 10.0" W.C.
11. Re-install the rockwool and lava rock onto the burner. See burner owner's manual for more information.
12. Install the logs onto the burner. See burner owner's manual for more information.
13. Conversion is completed.

PLACEMENT OF CONVERSION LABELS

1. Conversion label R-1322 is to be placed in a location visible when all parts are installed.
2. Gas conversion label R-1321 is to be placed near the gas control.

If burner is not installed, check off type of gas converted to on card. Also, indicate conversion by adding "Conv." behind gas.