

INSTALLATION INSTRUCTIONS SWITCH RELOCATION KIT

FOR USE ON: GWT35W(NATURAL, PROPANE), HWGW350(NATURAL, PROPANE)
41052 - VENT SAFETY SWITCH RELOCATION KIT

⚠ WARNING

This conversion kit is to be installed by an Empire Comfort Systems, Inc. dealer (or other qualified agency)* in accordance with the manufacturer's instructions and all codes and requirements of the authority having jurisdiction. Failure to follow instructions could result in serious injury or property damage. The qualified agency performing this work assumes responsibility for this conversion.

1 National Fuel Gas Code Z223.1 (Latest Edition), Natural Gas and Propane Installation Code, CSA B149.1

*The term "qualified agency" means any individual, firm, corporation or company which either in person or through a representative is engaged in and is responsible for (a) the installation of gas piping or (b) the connection, installation repair, or servicing of equipment, who is experienced in such work, familiar with all precautions required, and has complied with all the requirements of the authority having jurisdiction.

Tools Required:

- Phillips Screw Driver
- 1/4-Inch Nut Driver
- Drill (Optional)
- 5/16-Inch Nut Driver
- 1/8-Inch Drill Bit (Optional)

Relocation Instructions

1. Remove blower (if installed) by lifting off 2 mounting screws and set aside.
2. Remove 3 screws from the top of heater and 2 screws from the lower front.
See Figure 1.
3. Remove front casing.

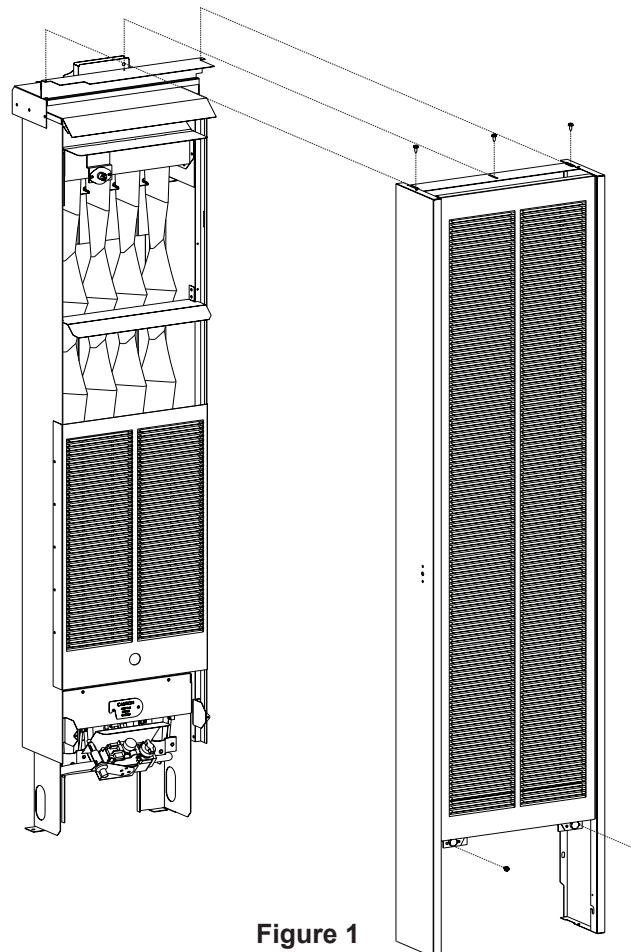


Figure 1

4. Remove vent safety switch by removing (2) #8 x 1/4 inch screws. **See Figure 2.**

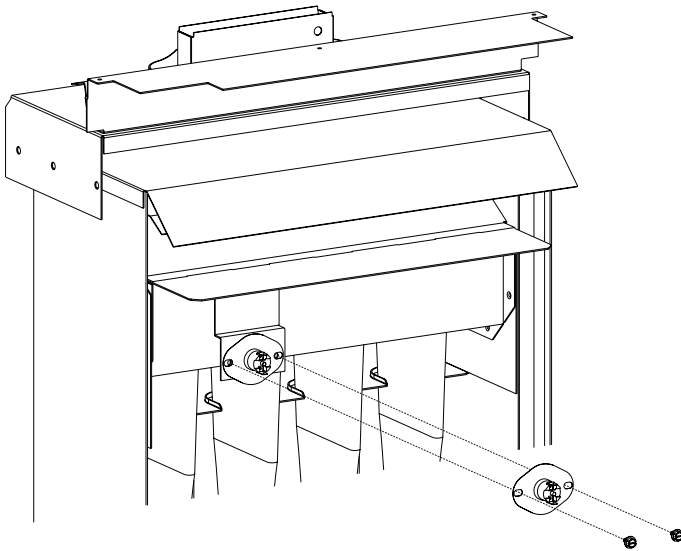


Figure 2

5. Install vent safety switch relocation bracket by sliding it behind the existing vent safety switch bracket. **See Figure 3.**

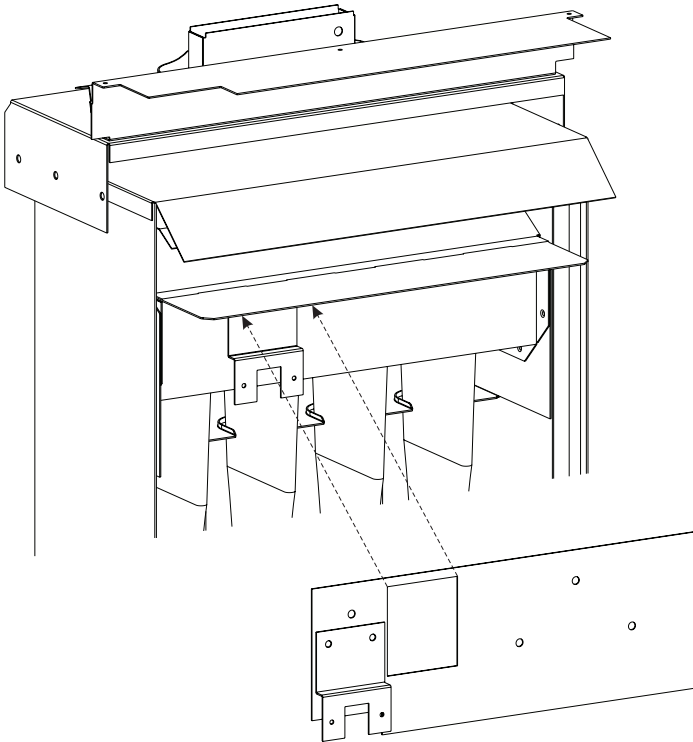


Figure 3

6. Vent safety switch bracket can be secured by two methods: **See Figure 4.**

- **Method # 1:**
Use vent safety switch relocation bracket as a template and drill (4) 1/8 inch holes. Use (4) #10 x 1/2 inch black sheet metal screws to attach bracket to diverter.
- **Method # 2:**
Use (4) #10 x 1/2 inch self drilling screws to attach the vent safety switch relocation bracket to the diverter.

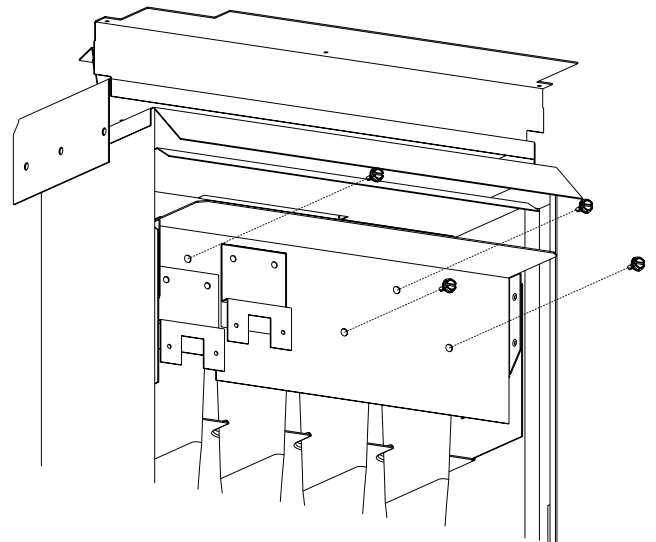


Figure 4

7. Attach the vent safety switch in the new location and attach the cover in the original location with (4) #8 x 1/4 inch screws. **See Figure 5.**

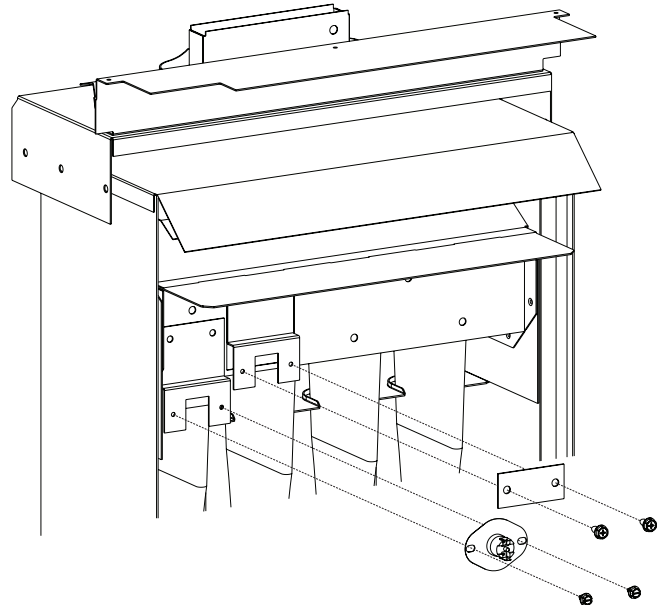


Figure 5

8. Replace front casing.
9. Verify unit lights and burns properly.

PARTS LIST	
Part Discription	Part Number
#10 x 1/2 inch black sheet metal screw	R2737
#10 x 1/2 inch self-drilling screw	R1433
#8 x 1/4 inch screw	R1131
Cover	41053
Vent Safety Switch Relocation Bracket	41050



**Empire Comfort Systems Inc.
Belleville, IL**

If you have a general question
about our products, please e-mail
us at info@empirecomfort.com.

If you have a service or repair
question, please contact your dealer.

SINCE 1932

www.empirecomfort.com