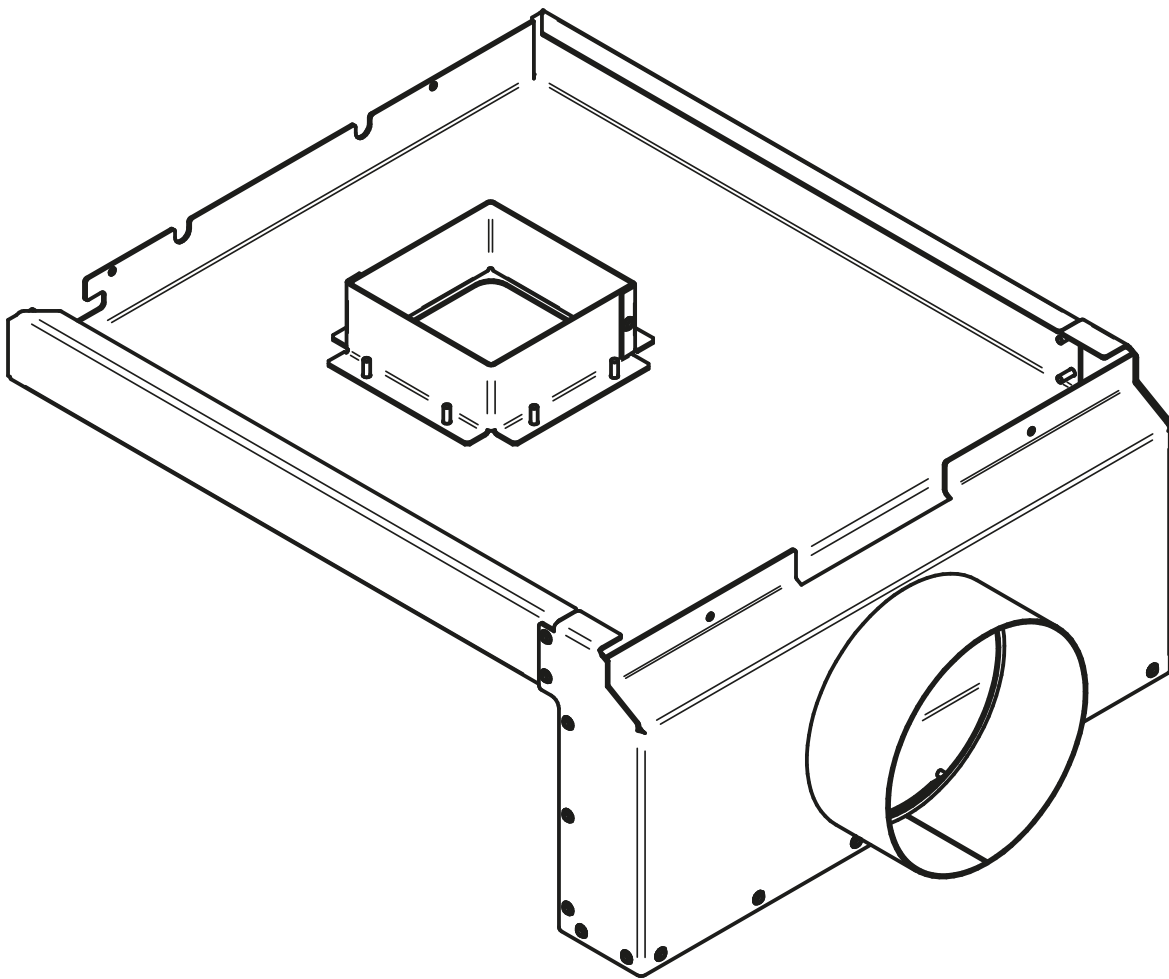


SINCE 1932

Installation Instructions

Fresh Air Intake Kit for Wood Stove on Legs

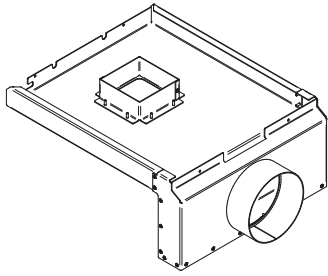
SFA0511



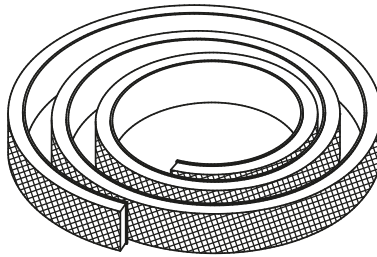
1. Application

This fresh air intake kit is designed to be installed on a wood stove with legs. The vent termination must be installed outside the building.

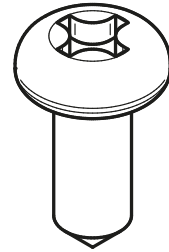
2. Kit Contents



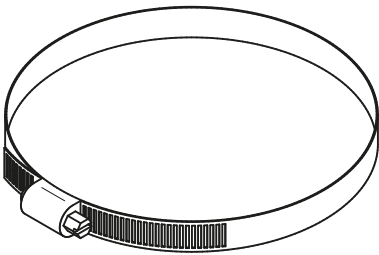
Air Intake Housing 5"
(D) 1x



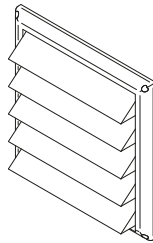
Self-adhesive gasket
(E) 36" long



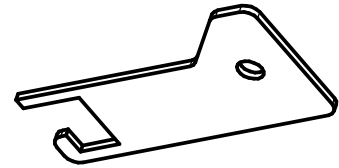
Black metal screw #10 x 5/8"
(F) 4x



Clamp
(H) 2x

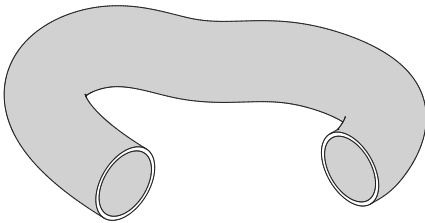


Air Intake grille 5"
(J) 1x

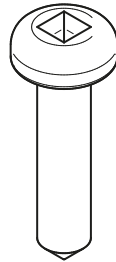


Mobile Home Bracket
(L) 4x

3. Other Required Parts (not included)

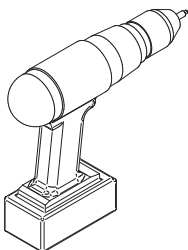


HVAC flexible insulated pipe in accordance with ULC S110 or UL 181, class 0 or class 1.
(G) 1x



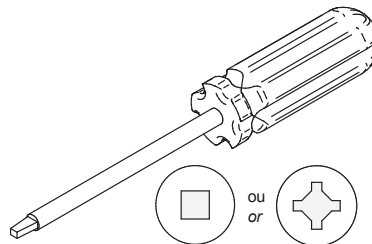
Screws for the air intake grille
(K) 4x

4. Suggested Tools



Powered Driver

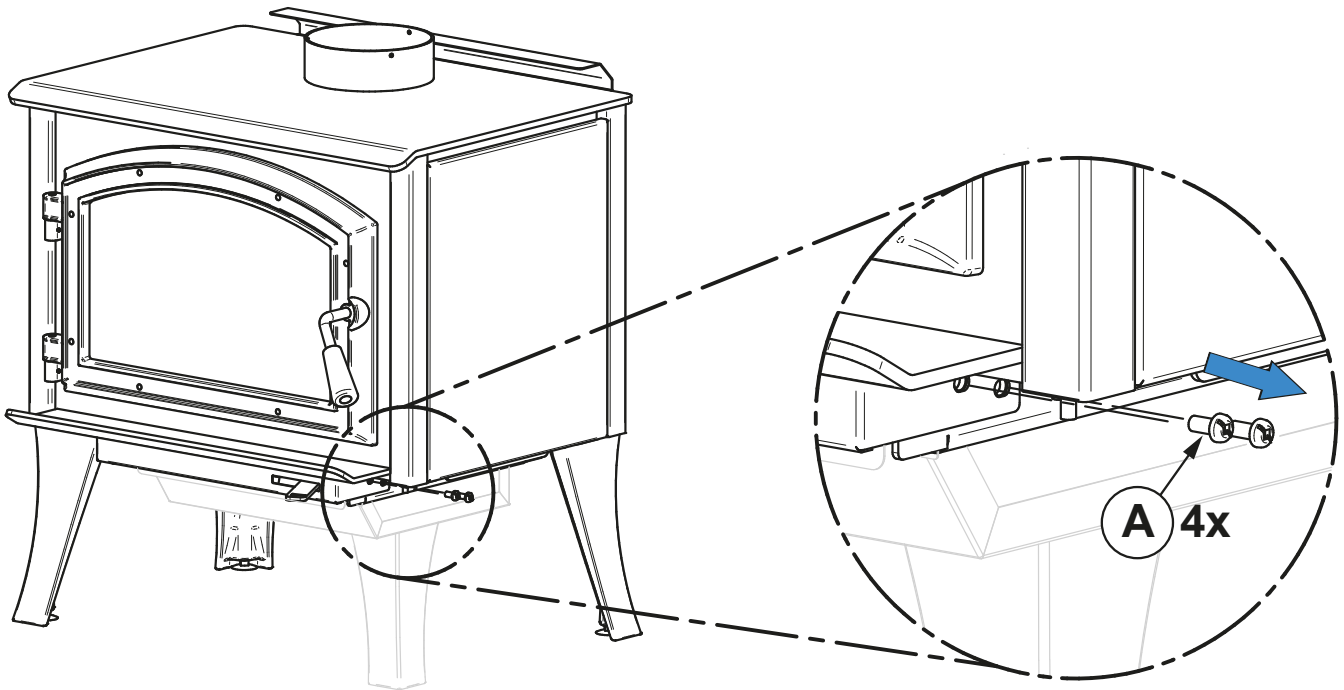
or



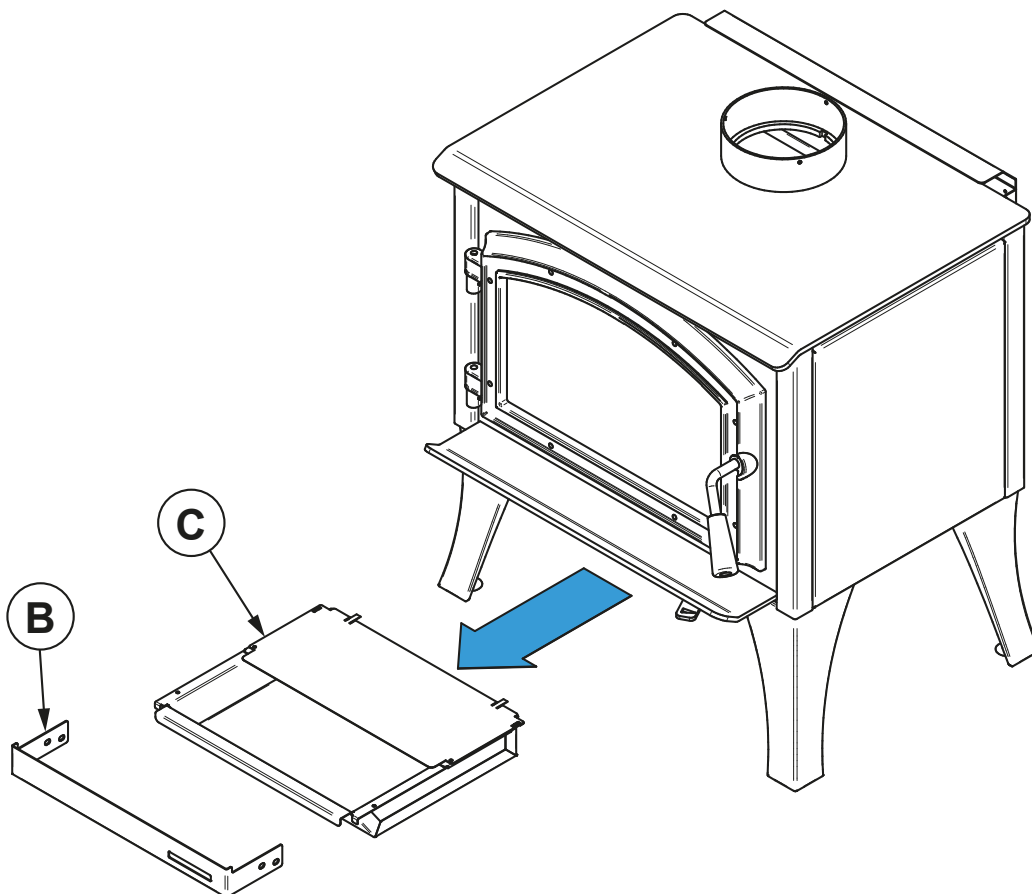
Robertson or Phillips screwdriver

5. Installation Instructions

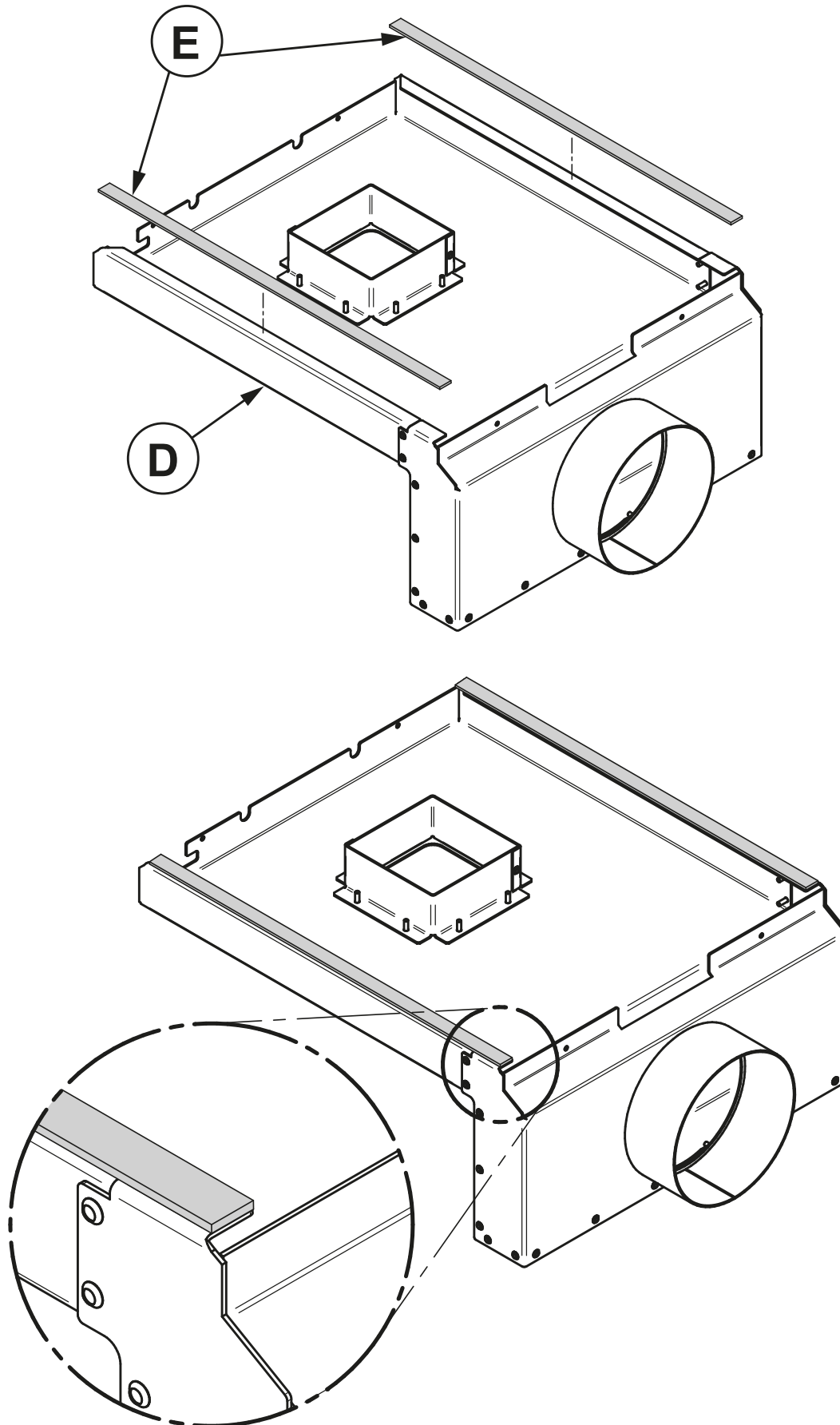
Step 1. Remove and keep the screws (**A**, 4x) that holds the air control cover in place.



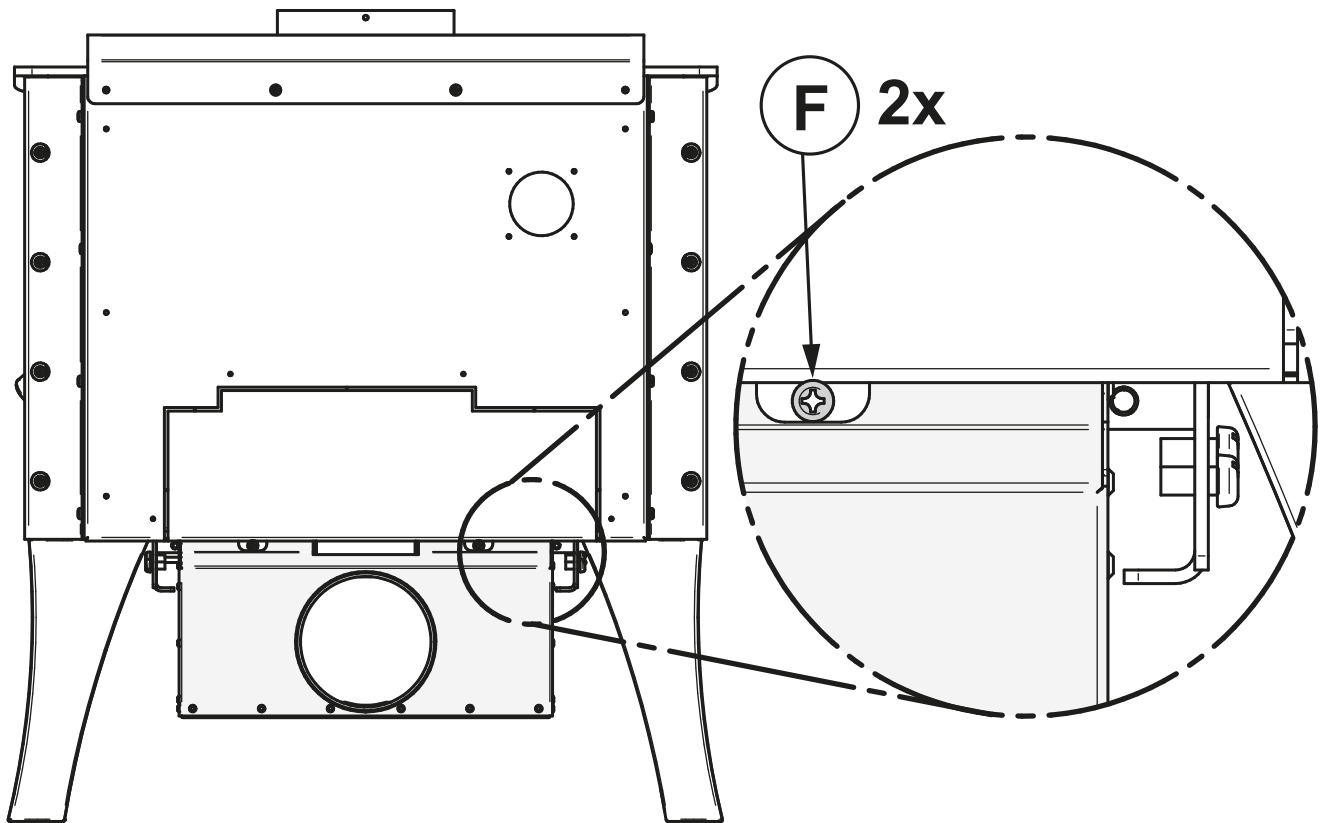
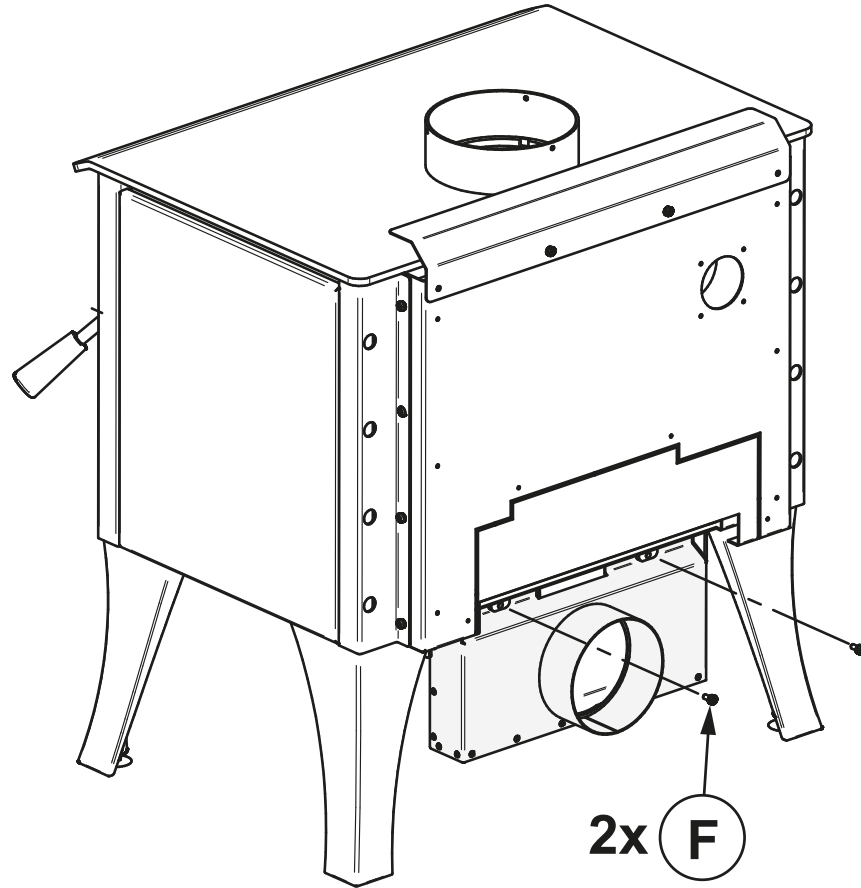
Step 2. Remove the air control cover (**B**) and the ash drawer (**C**).



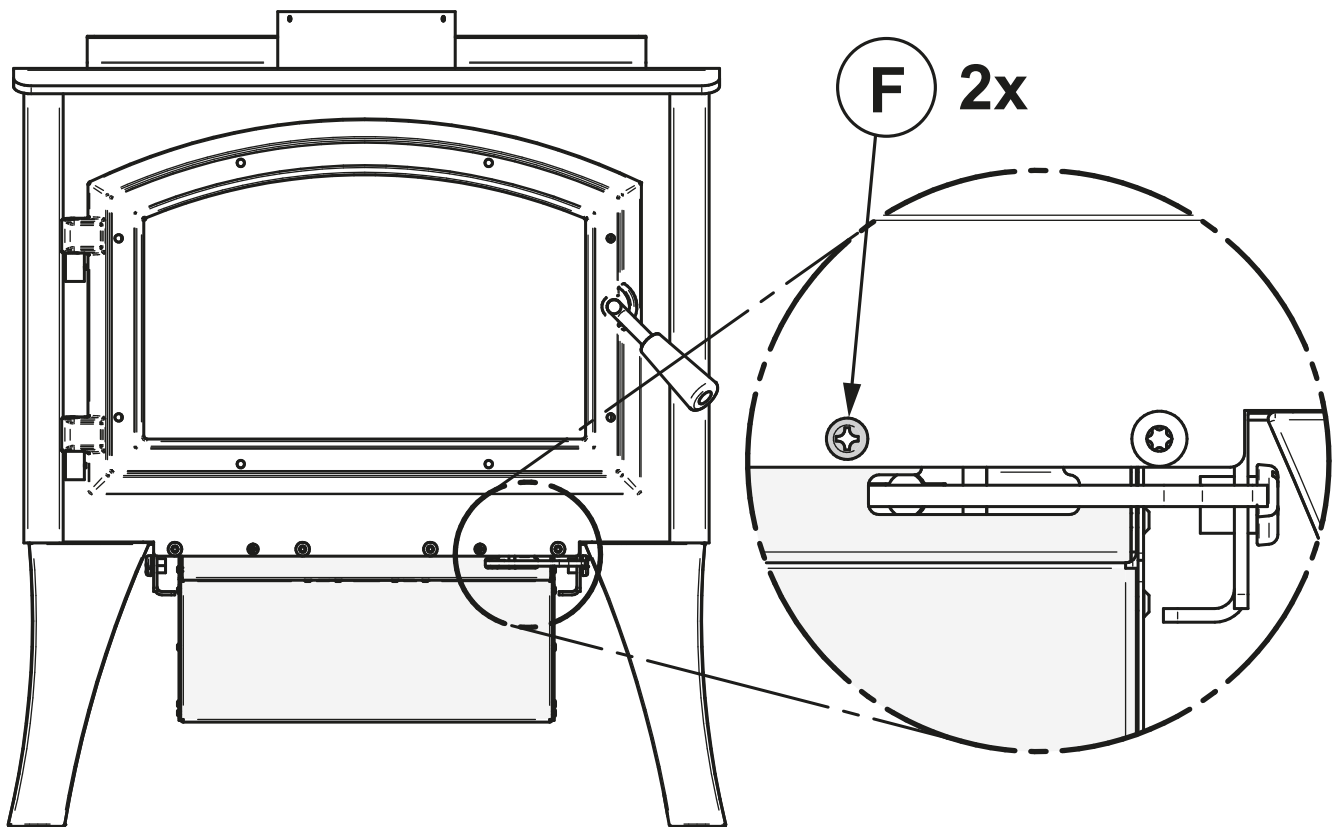
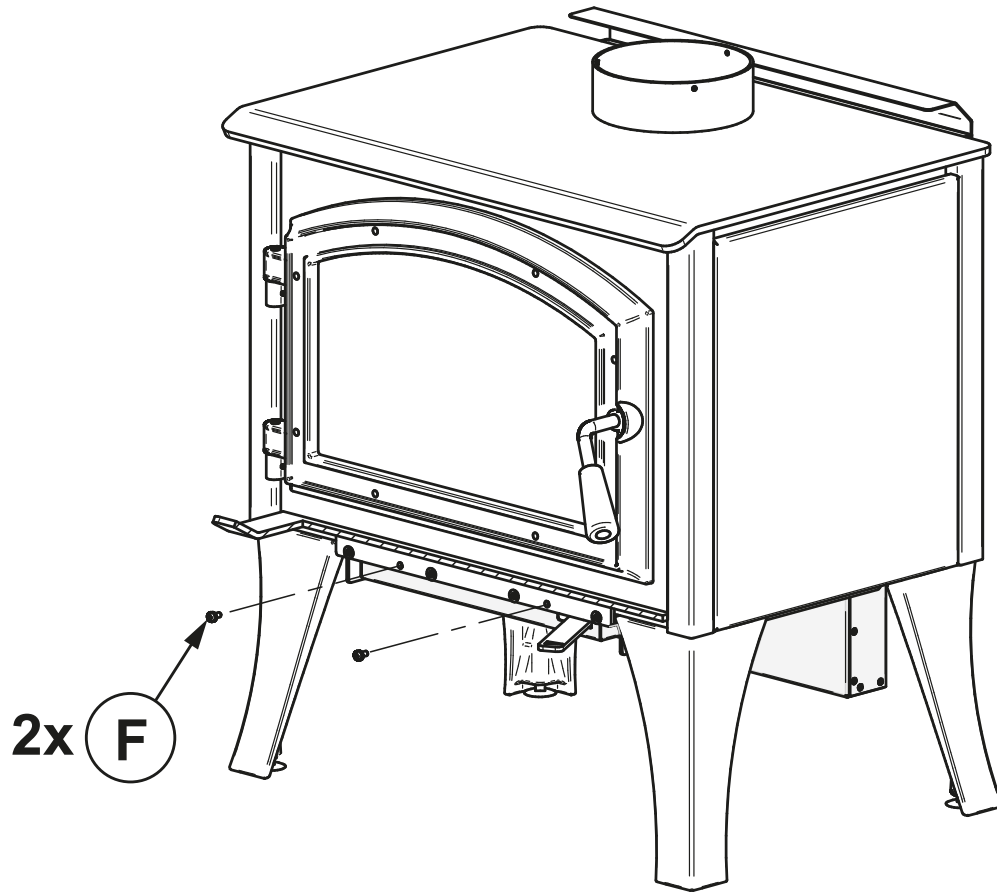
Step 3. Cut to length and install two strips of self-adhesive gasket (E) on the fresh air intake (D) as shown.



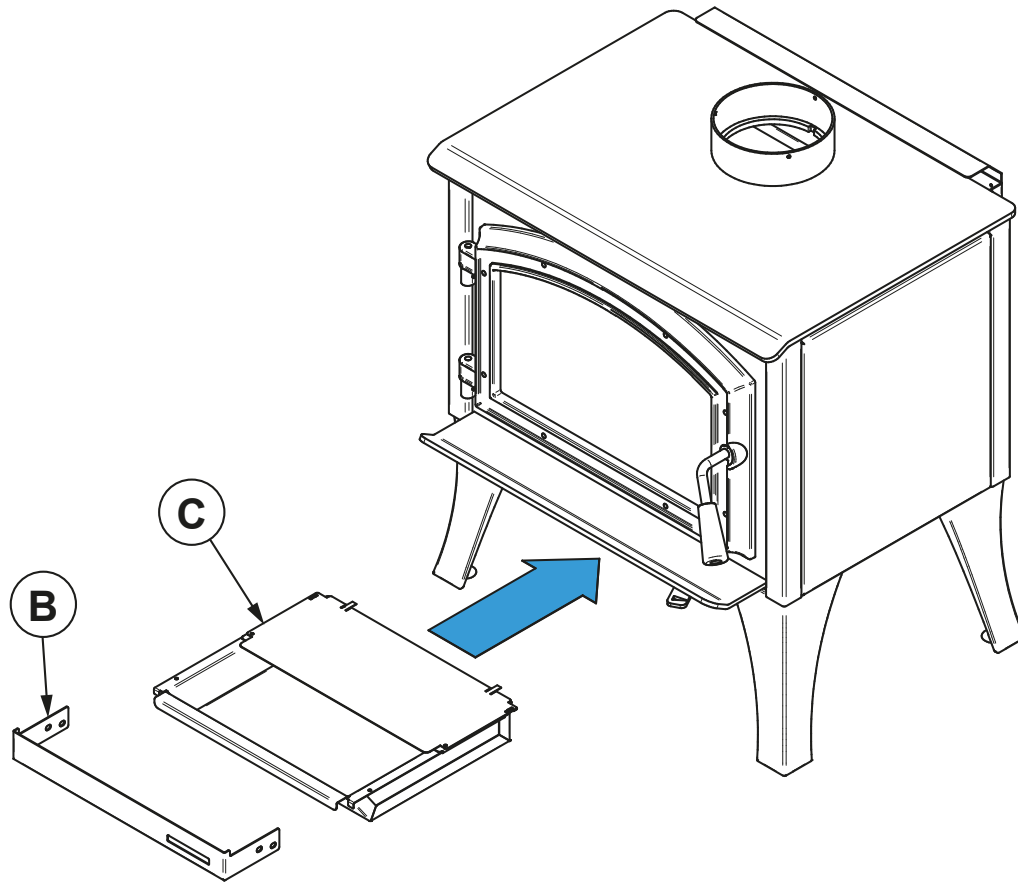
Step 4. Position the air intake underneath the stove and fix it at the back with two screws (F, 2x).



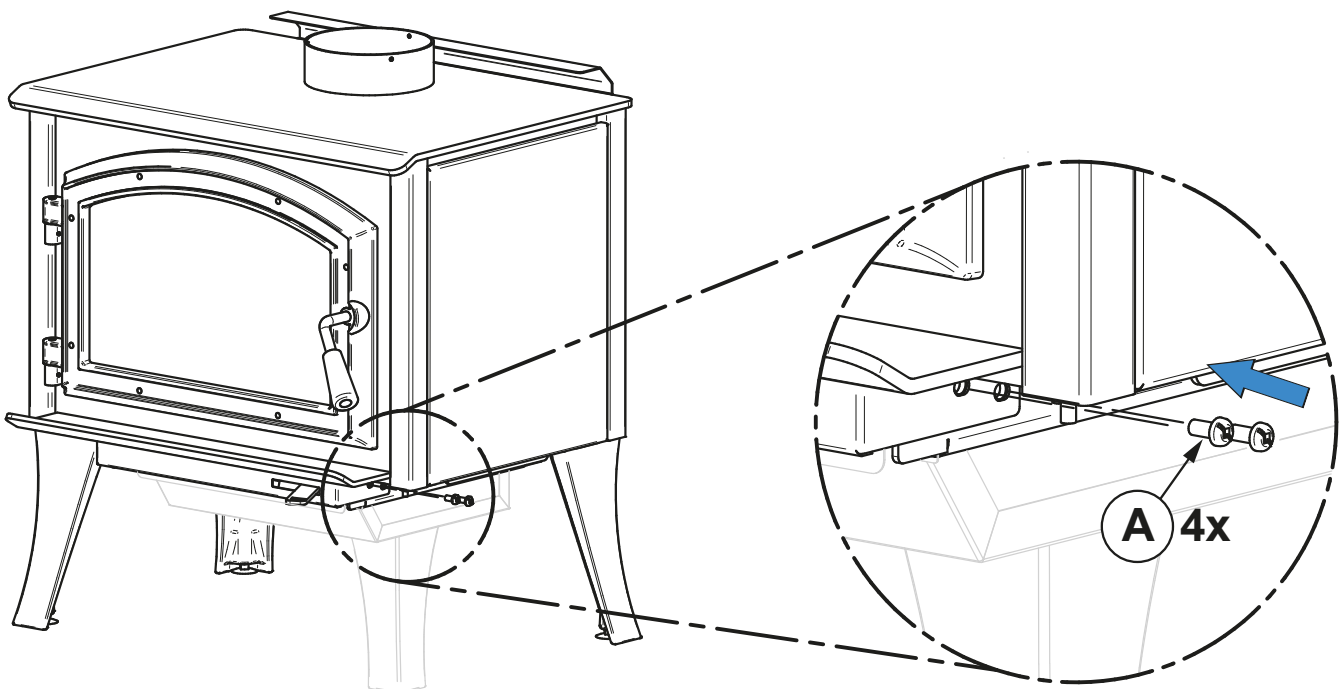
Step 5. Fix the air intake on the front of the stove with two screws (F, 2x).



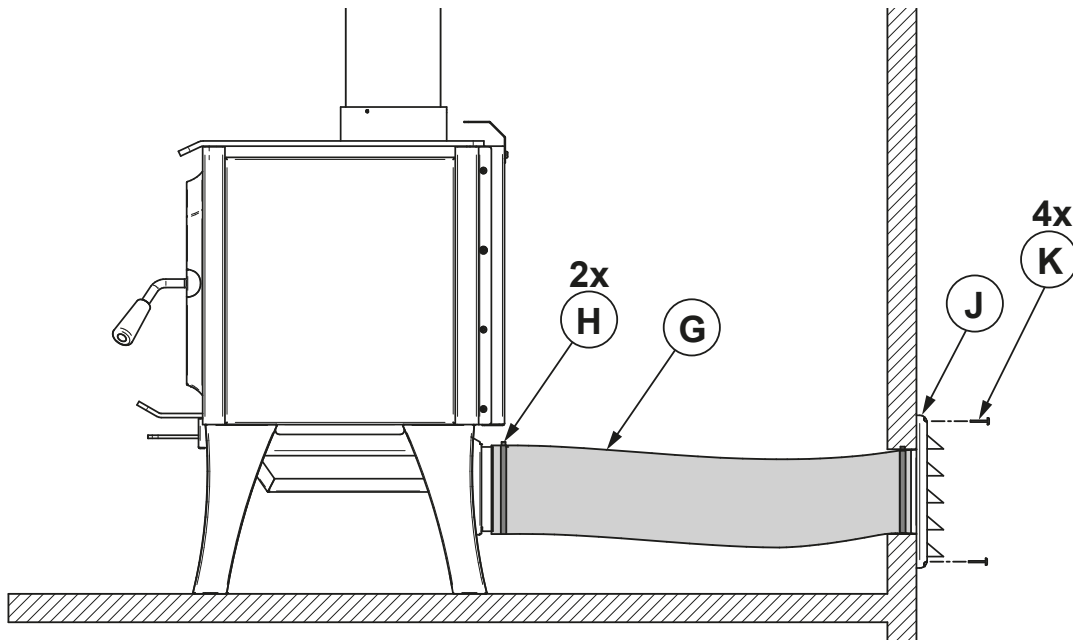
Step 6. Reinstall the ash drawer (C) and the air control cover (B).



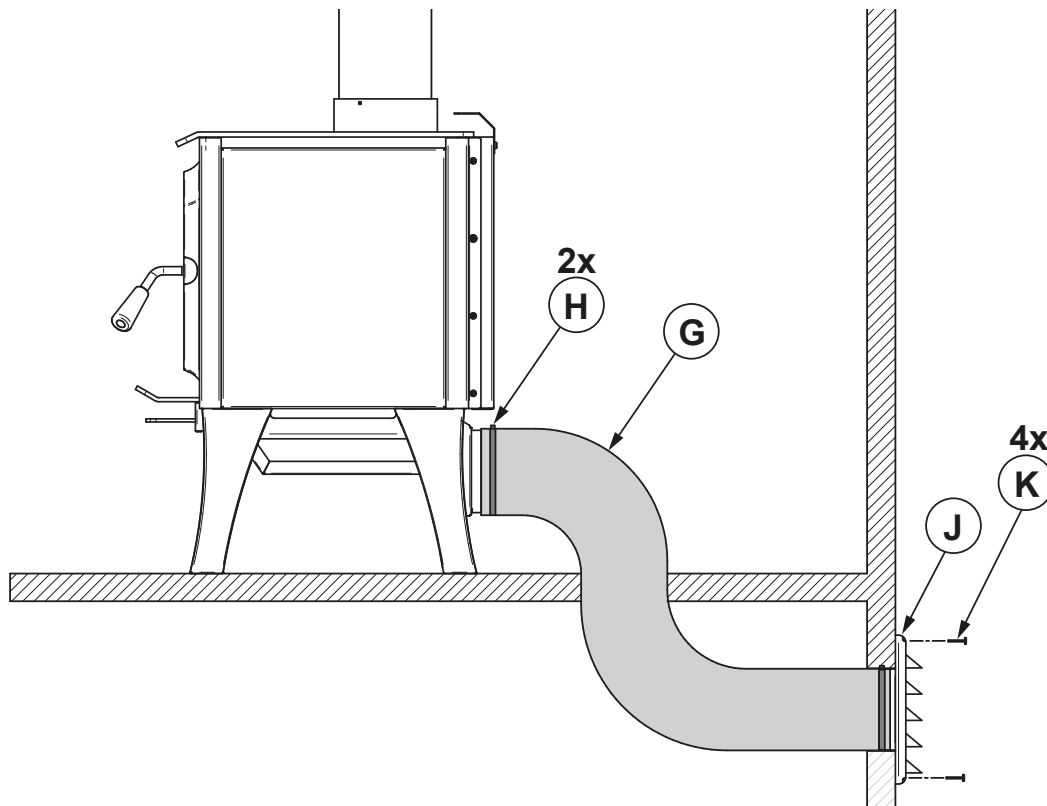
Step 7. Fix the air control cover (B) on the stove using screws (A, 4x) kept from Step 1.



Step 8. Make a 6" x 6" (150 mm x 150 mm) opening in the outside wall behind the unit. Install a 5" insulated flexible duct (**G**) to the air intake adapter using a clamp (**H**). Attach the other end of the flexible duct to the air intake grille (**J**) with another clamp (**H**). Secure the air intake grille with 4 screws (**K**, 4x), not supplied in this kit.



Example 1

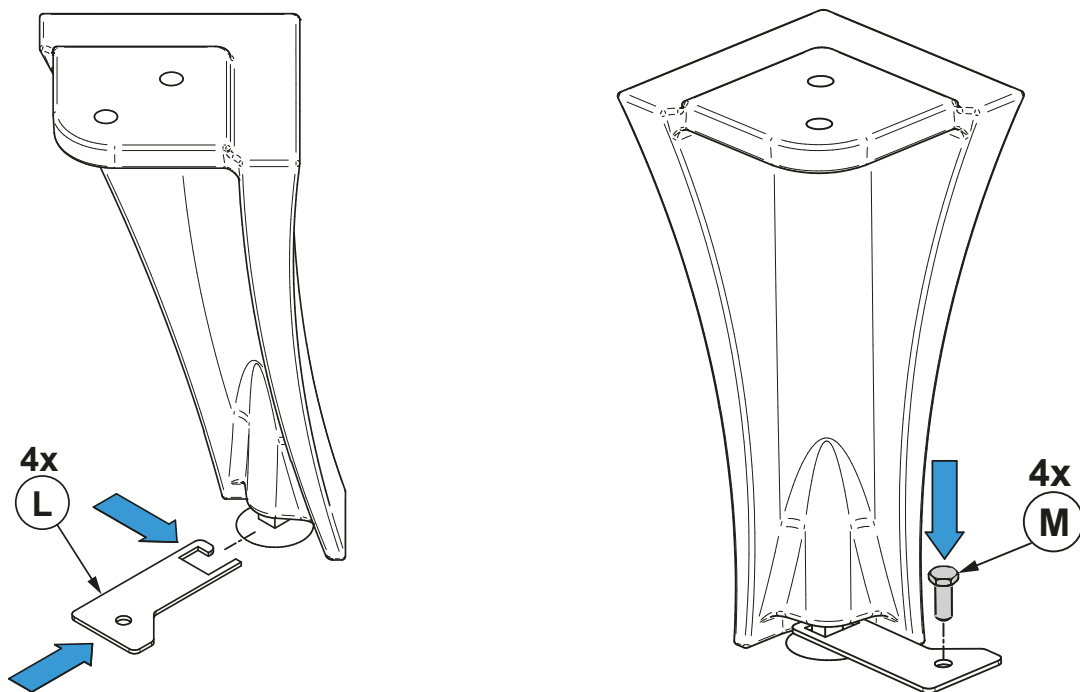


Example 2



The fresh air intake assembly and duct should be inspected periodically to ensure that it is not obstructed.

9. For a mobile home installation, use the leg retainers (**L**, 4x) to secure the stove to the floor. Use the appropriate hardware (**M**, 4x) for the flooring.





Empire Comfort Systems, Inc.
918 Freeburg Avenue
Belleville, IL 62220
618 233.7420
www.empirecomfort.com