

DVCT30 & DVCT35 LINER KITS INSTALLATION INSTRUCTIONS

CERAMIC FIBER LINERS		
DVCT30	DVCT35	Description
DVP30CPWH	DVP35CPWH	Liner, Whitewash Herringbone Brick

LEAVE INSTRUCTIONS WITH THE HOMEOWNER.

CARTON CONTENTS	
Description	Ceramic Fiber Liners
Rear Liner	1
Left Liner	1
Right Liner	1
Panel Bottom	1
Top Liner	1
Liner Bracket	1
#10 x 1/2 Screw	3

TOOLS NEEDED: Phillips Screwdriver

INSTALL FLOOR LINERS

1. Remove barrier screen and glass door. **See the insert owner's manual for instructions.**
2. Place the **BOTTOM PANEL** as shown in **Figure 1**.

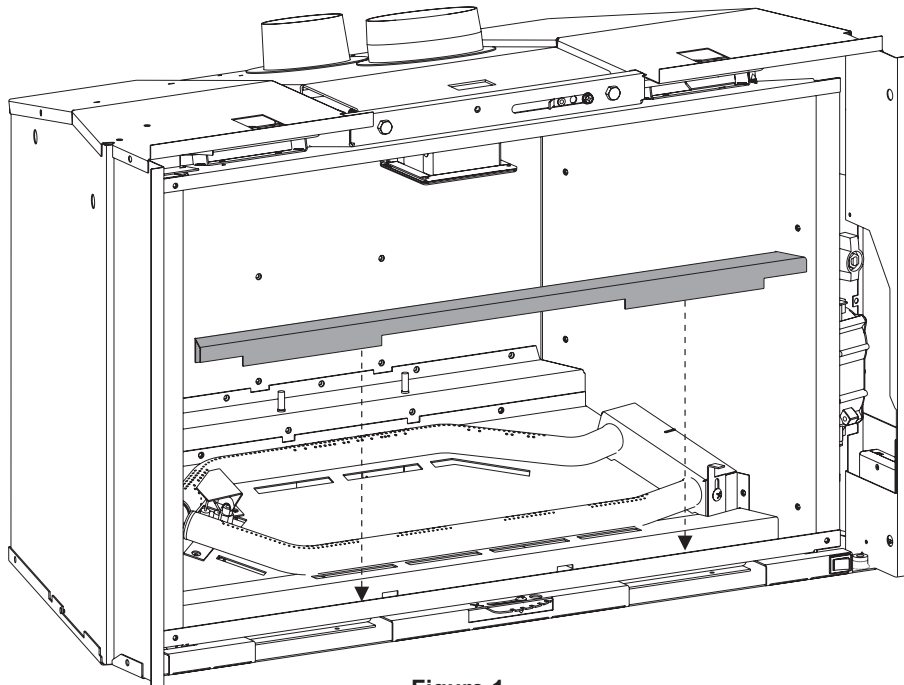


Figure 1

INSTALL REAR LINER

1. Place rear liner on the back of the firebox and hold with one hand. See Figure 2.

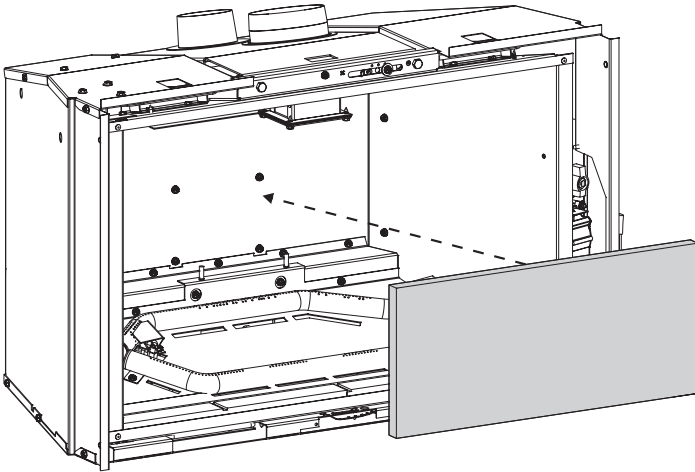


Figure 2

INSTALL SIDE LINERS

1. Place right and left liners against right and left firebox wall, then push back to rear liner to hold into place. See Figure 3.

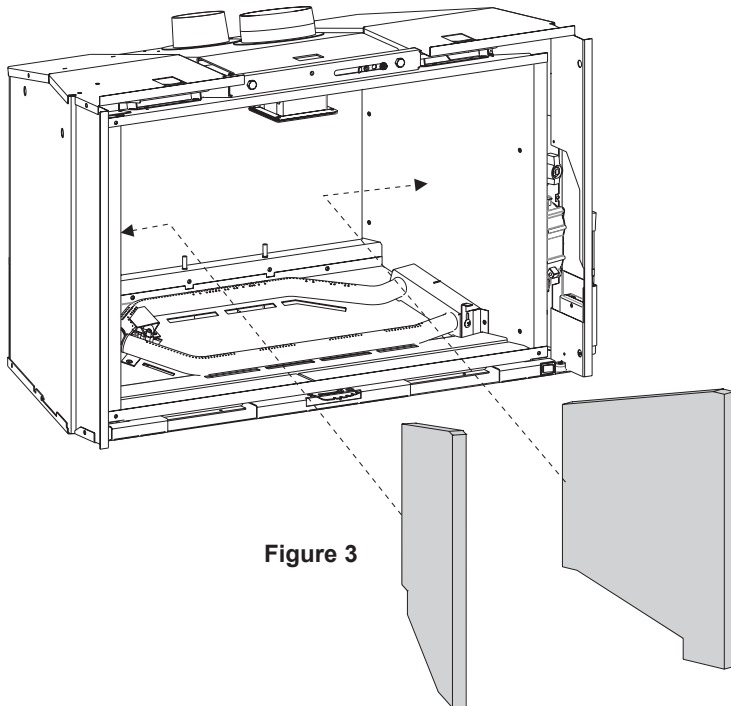


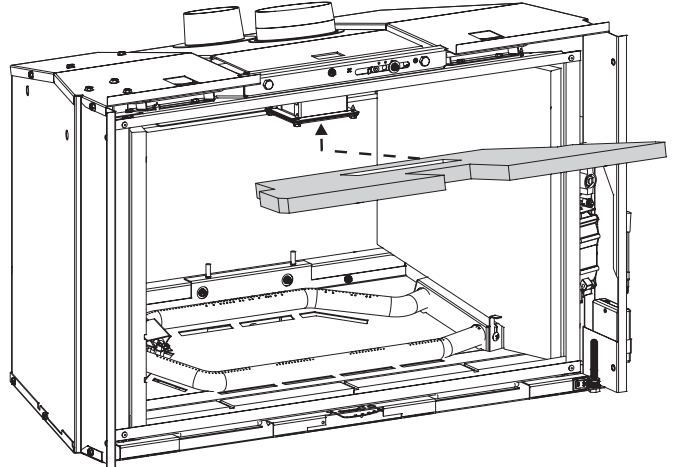
Figure 3

INSTALL TOP LINERS & LINER BRACKETS

1. Place the top liner so the back edge rests atop the rear liner. Secure liner bracket with (3) screws. See Steps 1 and 2 in Figure 4.

NOTICE: Painted side faces down. Black side faces up.

- STEP 1**
HOLD TOP
LINER IN PLACE



- STEP 2**
INSTALL LINER
BRACKET WITH
3 SCREWS

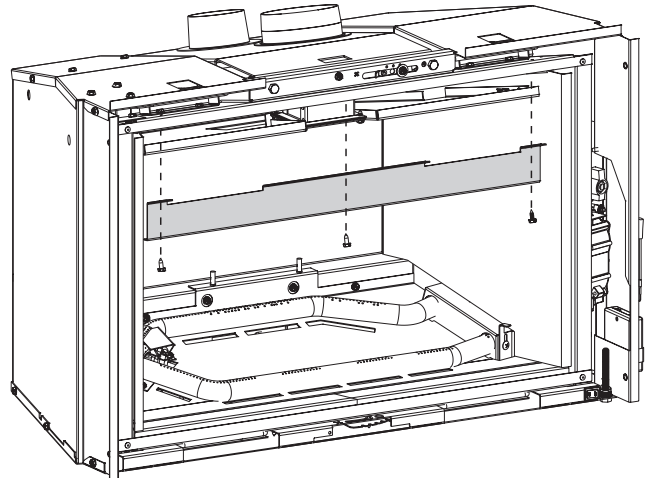
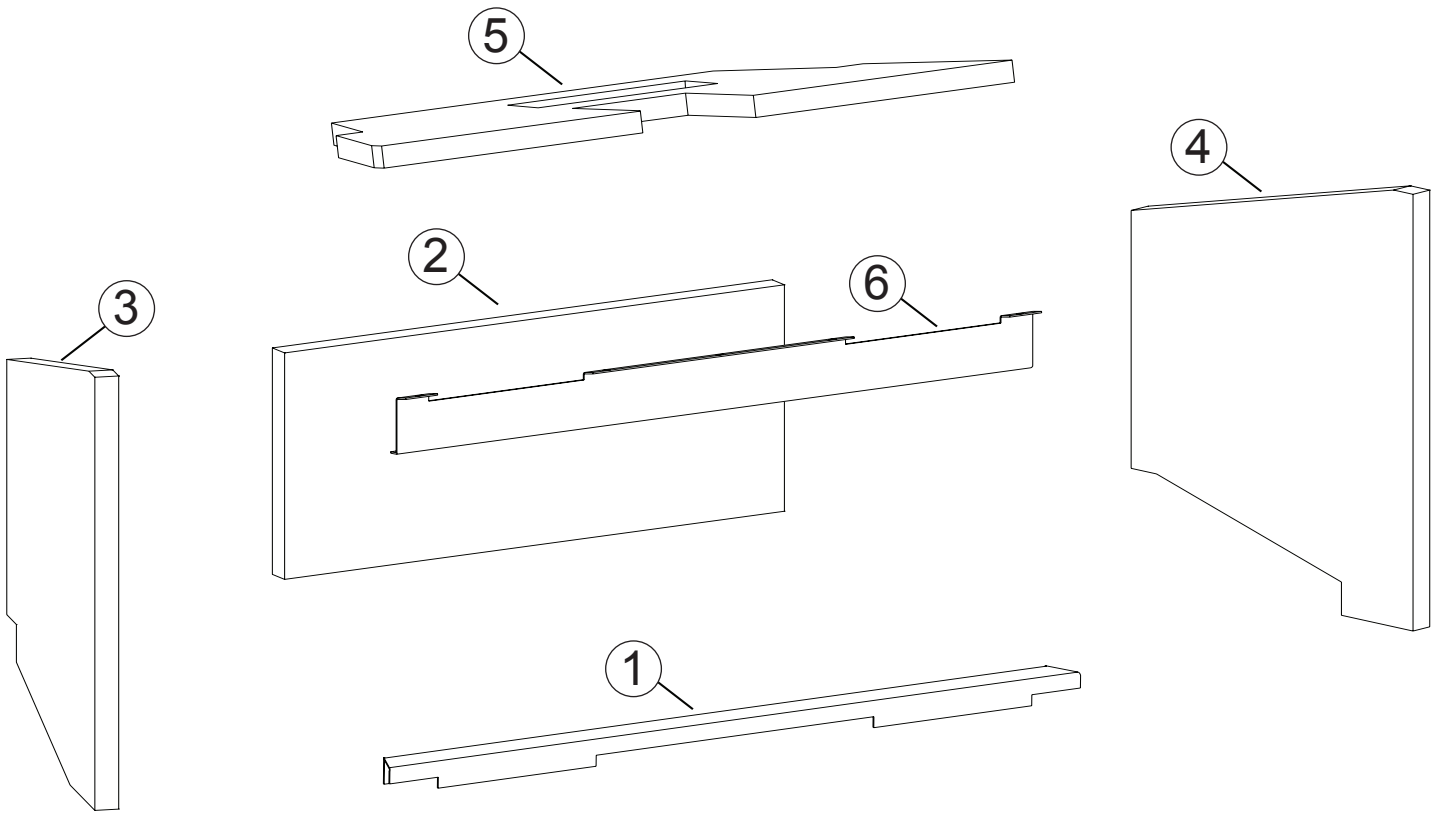


Figure 4

CERAMIC FIBER LINER KIT EXPLODED VIEW AND PARTS LIST



PART LIST				
Index Number	Model And Part Number		Description	Quantity Supplied
	DVP30CPWH	DVP35CPWH		
1	38120	38502	Panel Bottom	1
2	41650	41654	Rear Liner	1
3	41651	41655	Left Liner	1
4	41652	41656	Right Liner	1
5	38415	38525	Top Liner	1
6	38025	38486	Liner Bracket	1
N/S	R2737	R2737	Hex Head #10 x 1/2 Screw	1



SINCE 1932

www.empirecomfort.com

Empire Comfort Systems Inc.
Belleville, IL

If you have a general question
about our products, please e-mail
us at info@empirecomfort.com.

If you have a service or repair
question, please contact your dealer.