



AMERICAN HEARTH

Hamilton Wood Firebox



Hamilton Wood Firebox

Introducing our latest product line: the Hamilton Wood Firebox Collection. We are proud to unveil three new sizes, specifically designed to enhance your fireplace experience with a larger viewing area than other models.

Our 36", 44", and 54" wood fireboxes are meticulously crafted to provide an unparalleled visual display of the fire, bringing warmth and ambiance to any space.

For those seeking a traditional touch, our fireboxes offer classic brick or herringbone refractory panels in four colors: natural concrete content_id:619223194, white, mocha, and black. These liners provide a warm and rustic appearance, reminiscent of traditional masonry fireplaces. In addition to our traditional liners, we are offering a smooth surface refractory for those seeking to create a more neutral contemporary design. The smooth surface and clean lines create a minimalist aesthetic that effortlessly blends with a wide range of interior styles.

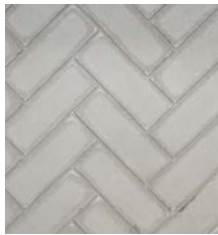
*This Page: Hamilton 44-inch Firebox with concrete smooth liner.
Cover: Hamilton 44-inch Firebox with black herringbone liner.*



Liners are available in 3 styles and 4 different color options.



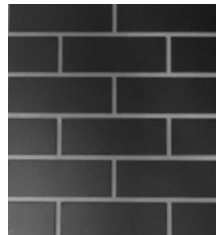
Concrete Brick



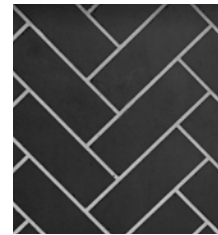
Concrete Herringbone



Concrete Smooth



Black Brick



Black Herringbone



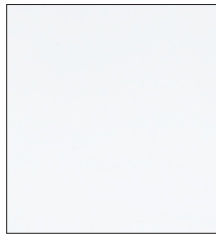
Black Smooth



White Brick



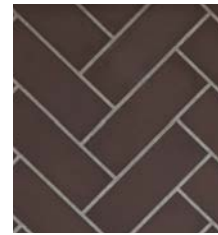
White Herringbone



White Smooth



Mocha Brick



Mocha Herringbone



Mocha Smooth

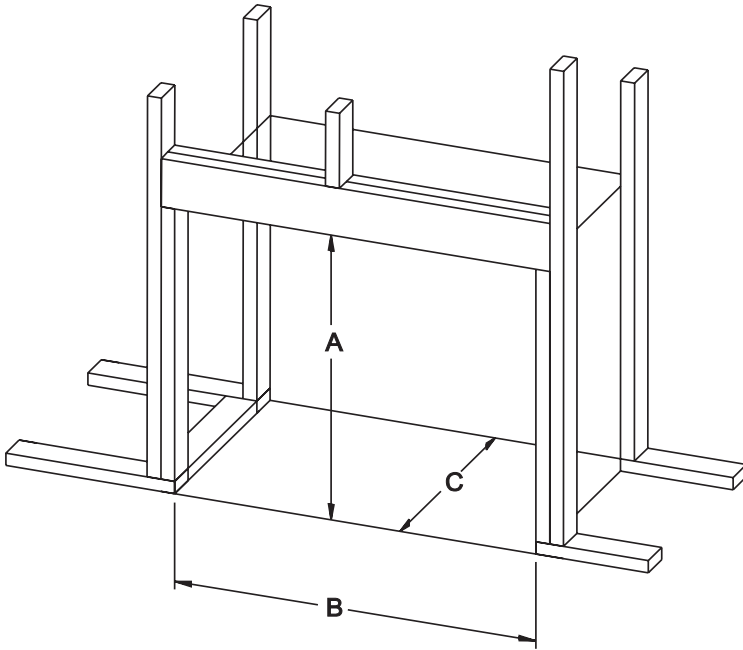
This Page: Hamilton 44-inch Firebox with white brick liner.



Framing Dimensions

	WB36FB0F	WB44FB0F	WB54FB0F
A	62 1/8	62 1/8	74 1/8
B	57 5/8	57 5/8	67 5/8
C	29	29	30 1/2

Measurements given in inches.



Limited Lifetime Parts Warranty With A Five - Year Limited Labor Warranty – Combustion Chamber
Limited Ten - Year Parts Warranty – Venting
Limited One - Year Parts Warranty – Accessories and Parts

Empire is committed to continuous product improvement; specifications are subject to change without notice. Dimensions in this brochure are approximate; read and follow the framing dimensions in the owners manual supplied with your Empire product.

918 Freeburg Ave.
Belleville, IL 62220-2623
e-mail: info@empirecomfort.com

AH-010121 8/17/23

