

INSTALLATION INSTRUCTIONS

BI-FOLD GLASS DOOR KIT

BDW(36,44,54)(BL,PE) BI-FOLD GLASS DOOR KIT

TOOLS REQUIRED:

- Electric Drill
- 1/8 Inch Drill Bit
- 5/16 Inch Hex Hand Driver or Bit
- #2 Phillips Screwdriver

1. If the Fireplace already has Pull-Screens installed, removing them will make the installation of the Glass Door Kit easier. Do not separate the Pull-Screens from the Rods. Pull-Screens will be re-installed after the Glass Door Kit installation is completed. See fireplace installation manual.

HARDWARE PACK CONTENT:

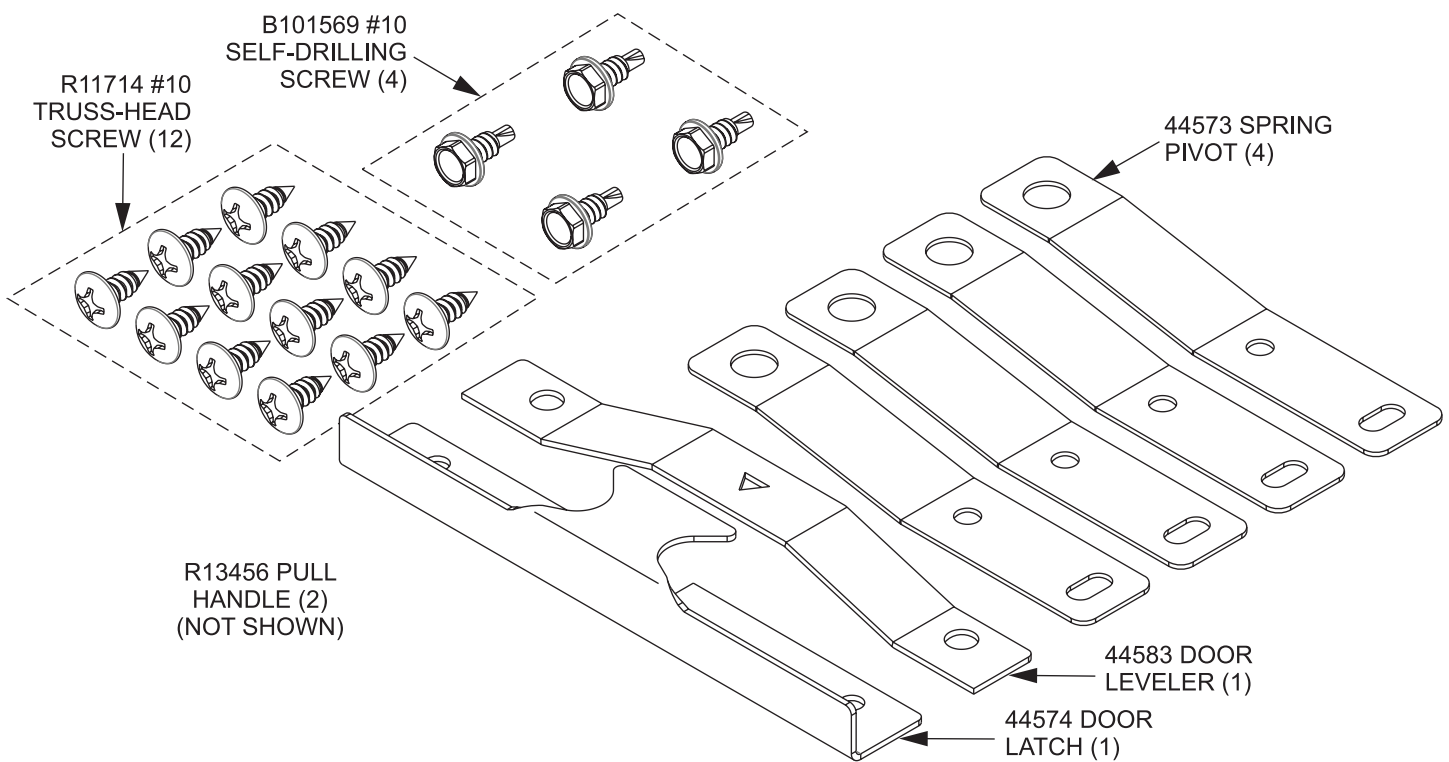


Figure 1

2. Using a 5/16" hex driver and Phillips screwdriver, remove and replace each Hex-Head Screw in **Figure 2** with a #10 Truss-Head Screw from the hardware pack (four total). Replace each screw one at a time. Only use a hand driver to install the Truss-Head Screws to prevent stripping the holes.

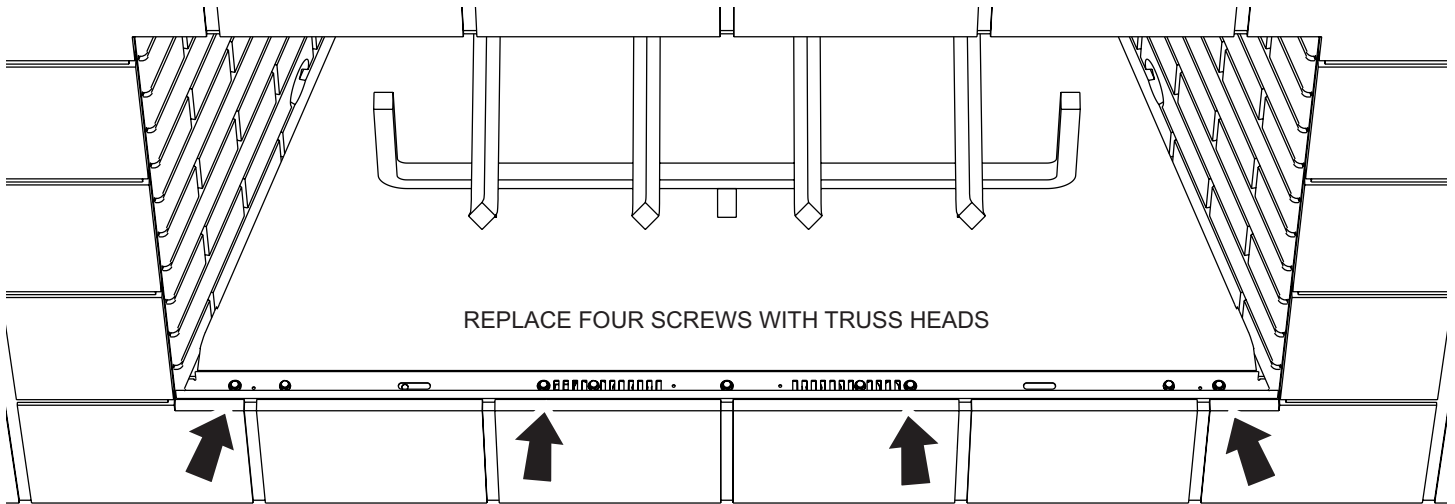


Figure 2

3. Using a 5/16" hex driver and Phillips screwdriver, remove and replace each Hex-Head Screw in **Figure 3** with a #10 Truss-Head Screw from the hardware pack (two total). Only use a hand driver to install the Truss-Head Screws to prevent stripping the holes.

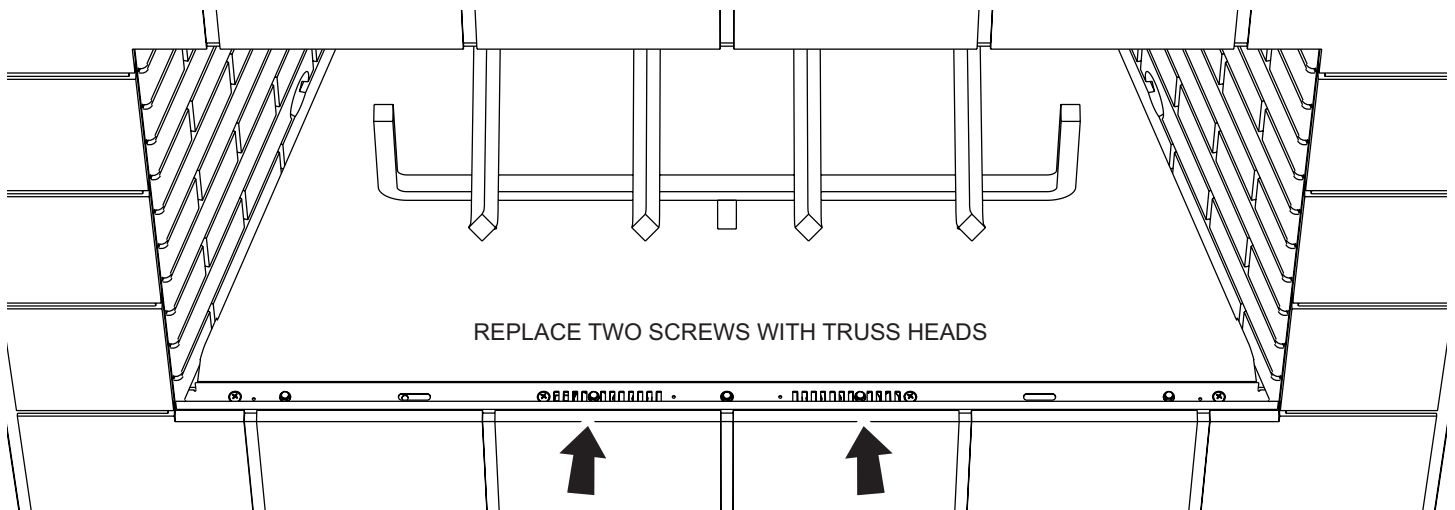


Figure 3

4. Using an electric drill, drill four (4) 1/8" holes as shown in **Figure 4**. The Bottom Door Track has guide holes for locating these drilled holes.

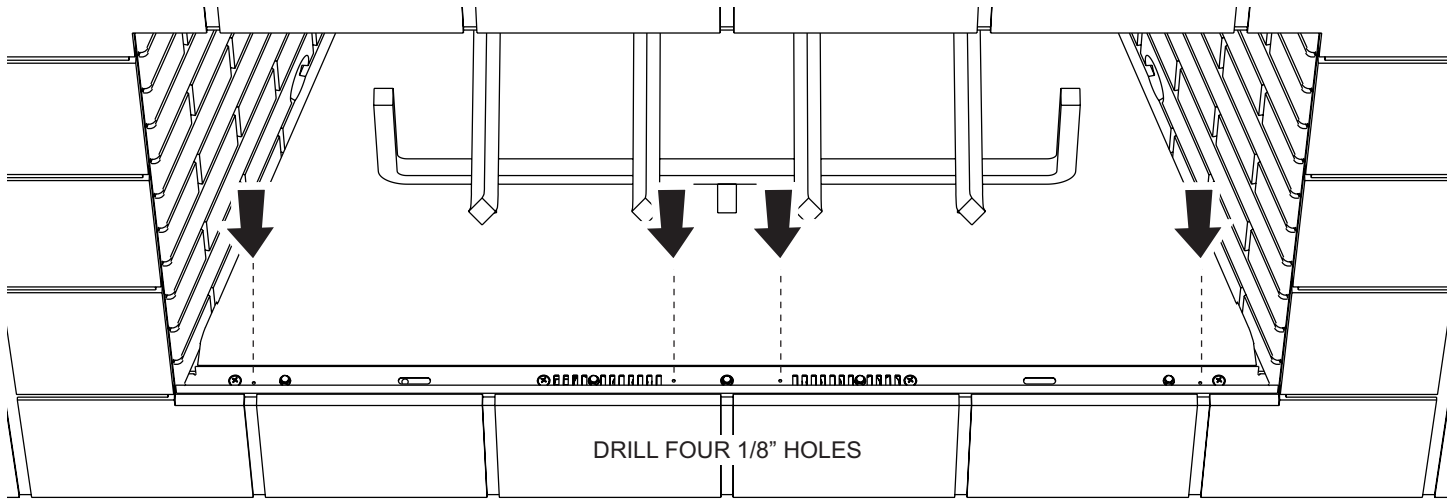


Figure 4

5. Using an electric drill, drill two (2) 1/8" holes as shown in **Figure 5**. The Top Lip has guide holes for locating these drilled holes.

6. Using a 5/16" hex driver, remove the two Hex-Head Screws shown in **Figure 5**.

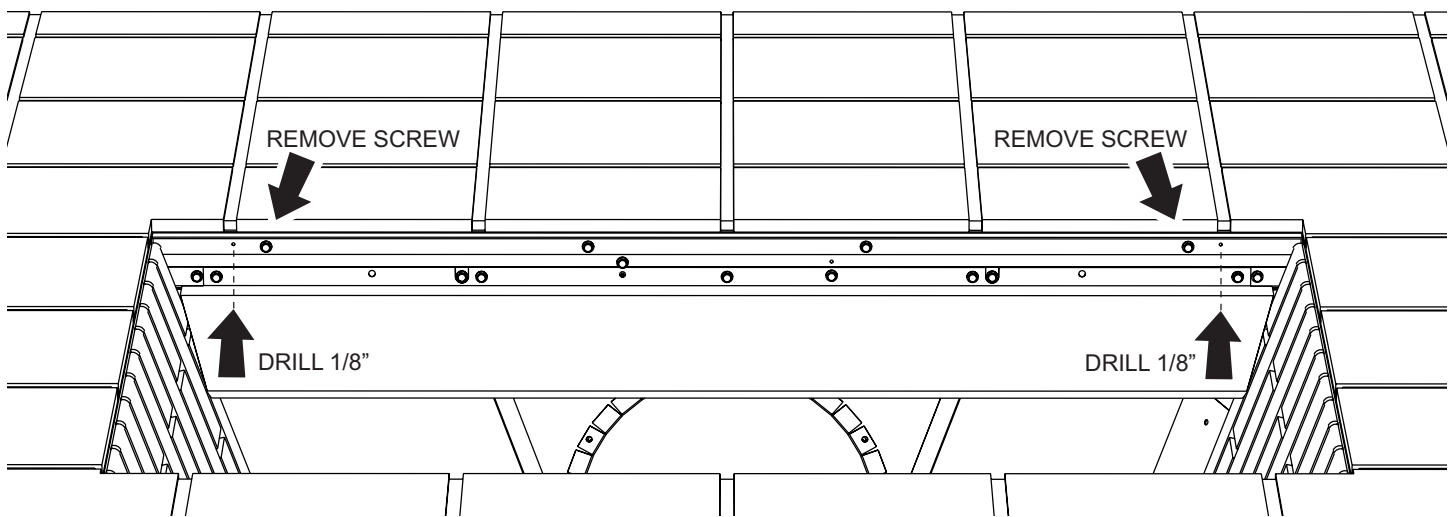


Figure 5

7. Install two (2) Spring Pivots in the top corners of the fireplace opening as shown in **Figure 6**. Use Hex-Head screws from the Hardware Pack or those removed in

previous steps. If using an electric driver, adjust the clutch to a low torque setting to prevent stripping the holes.

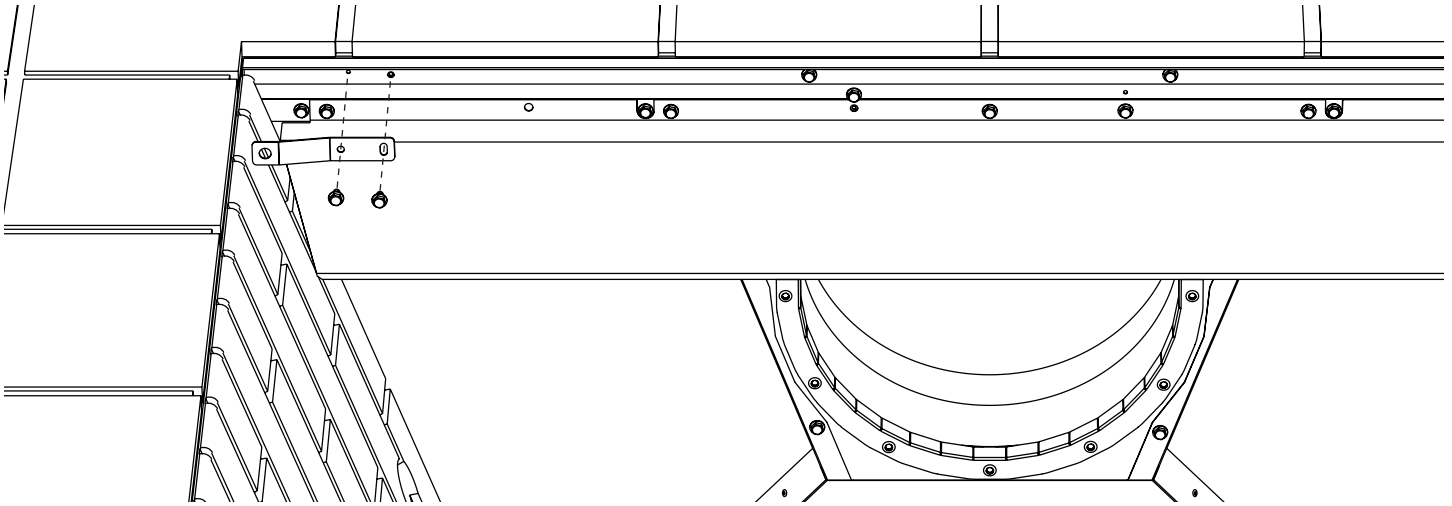


Figure 6

8. Install two (2) Spring Pivots in the bottom corners of the fireplace opening as shown in **Figure 7**. Use Truss-Head screws from the Hardware Pack.

Only use a hand driver to install the Truss-Head Screws to prevent stripping the holes.

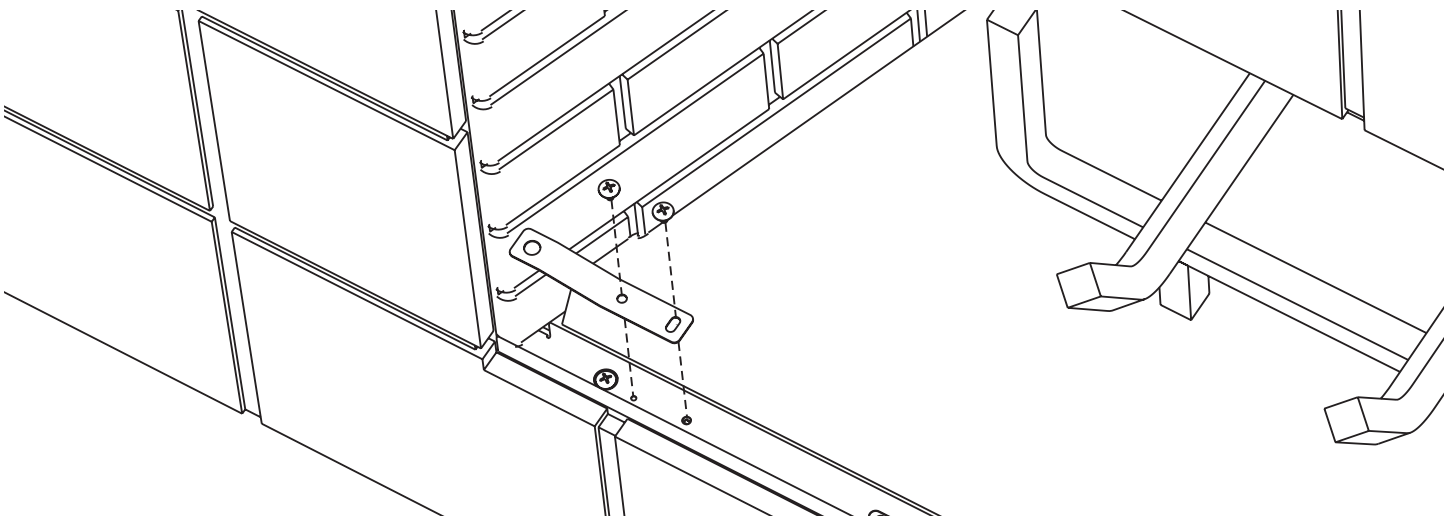


Figure 7

9. Set the Door Leveler inside of the Door Latch (orient the parts as shown in **Figure 8** with the arrow on the Door Leveler pointing towards you), and screw these

parts to the center of the Bottom Door Track as shown in **Figure 8**. Use Truss-Head Screws from the Hardware Pack, and only use a hand driver to prevent stripping the holes.

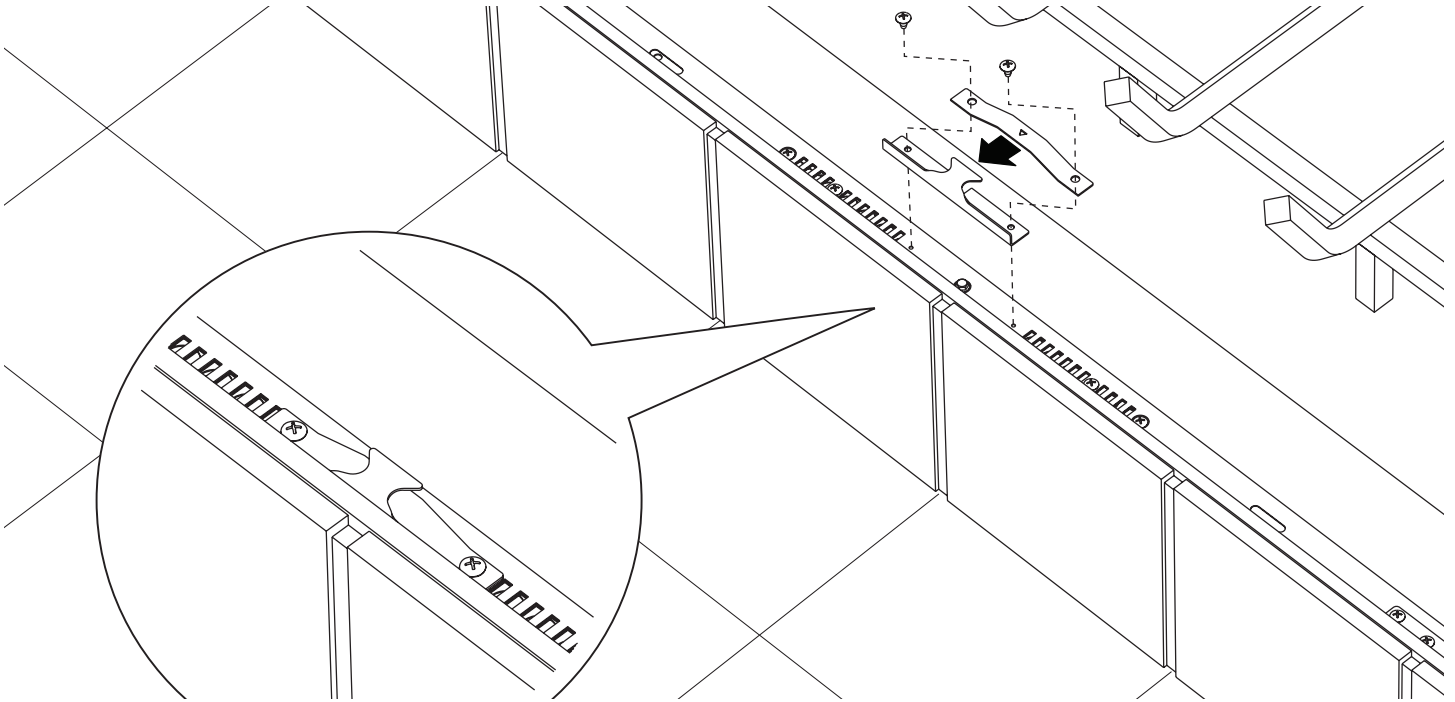


Figure 8

10. Install the Pull Handles to both doors as shown in **Figure 9**. The Handles should be attached to the opposite side of the doors from the hinges.

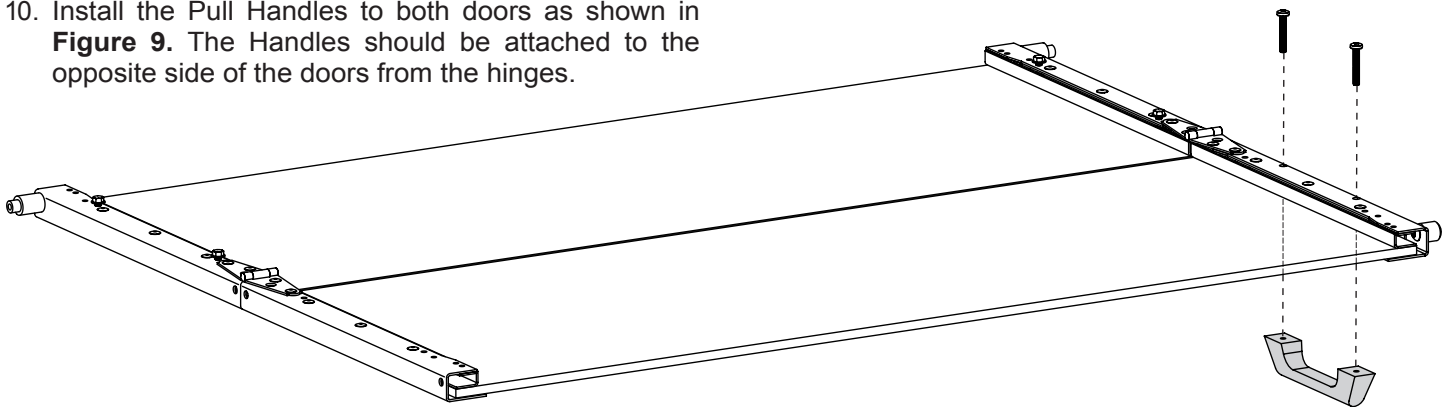


Figure 9

11. The Glass Doors will be oriented as shown in **Figure 10**, with the Pull Handles on the bottoms of the inner panels.

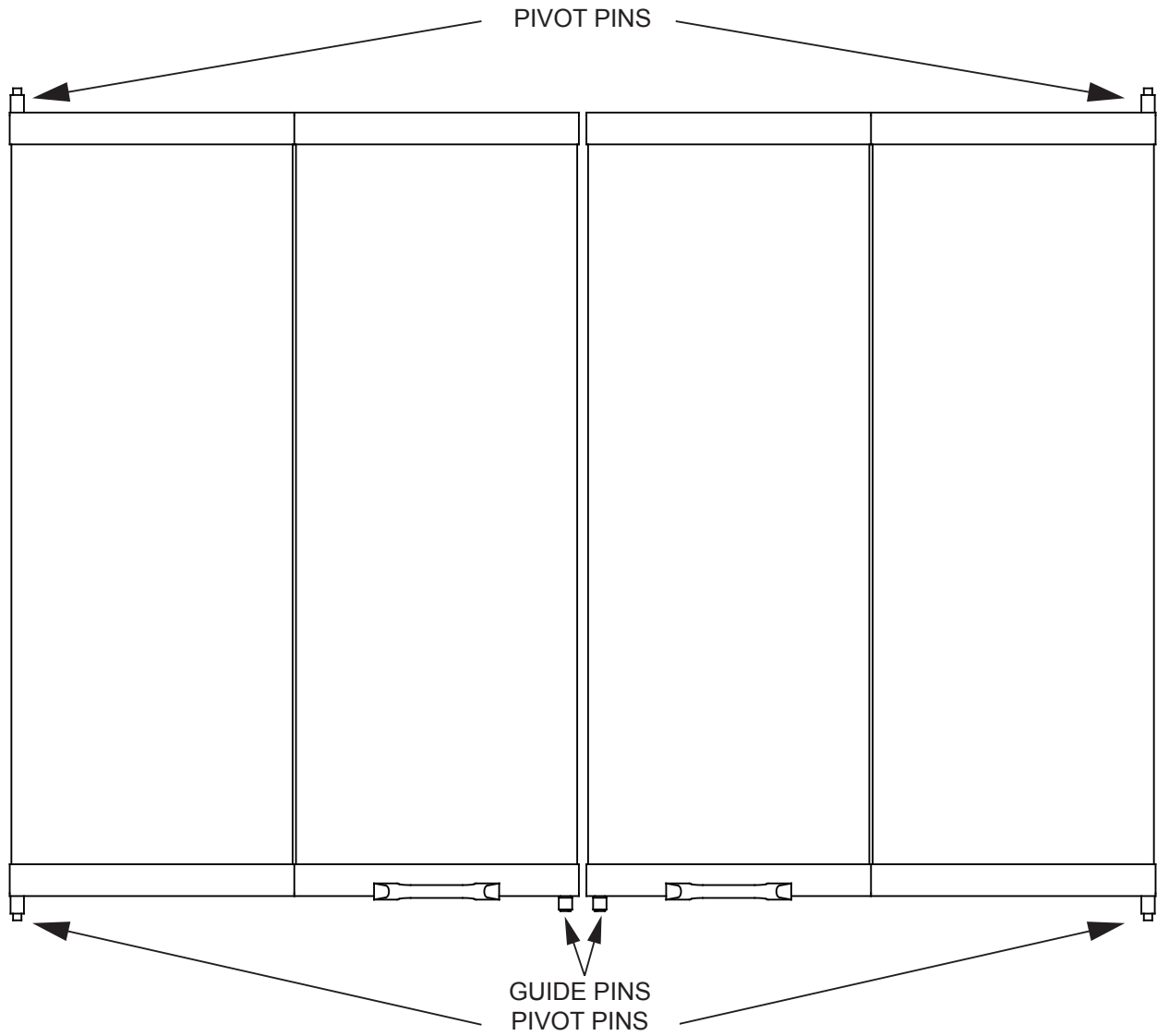


Figure 10

12. Fold one of the Glass Doors, and while making sure that the Guide Pin will fall inside of the Bottom Door Track, set the lower Pivot Pin into the bottom Spring

Pivot as shown in **Figure 11**. Tilt the top Pivot Pin towards the corresponding top Spring Pivot and snap it into place. Repeat this sequence on the opposite side.

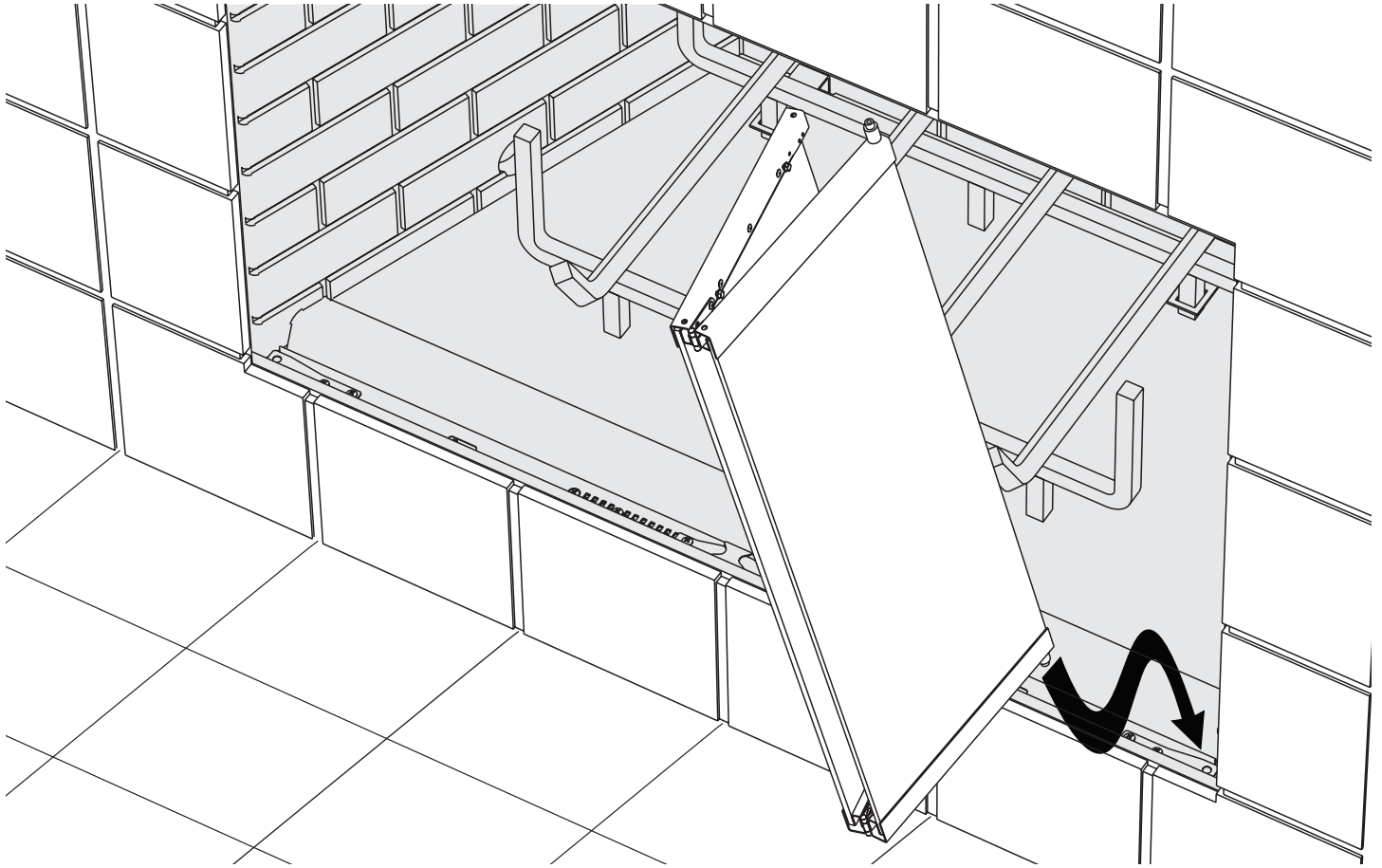


Figure 11

13. Reinstall the Pull-Screens and Pull-Screen Rods removed previously.



SINCE 1932

www.empirecomfort.com

Empire Comfort Systems Inc.
Belleville, IL

If you have a general question
about our products, please e-mail
us at info@empirecomfort.com.

If you have a service or repair
question, please contact your dealer.