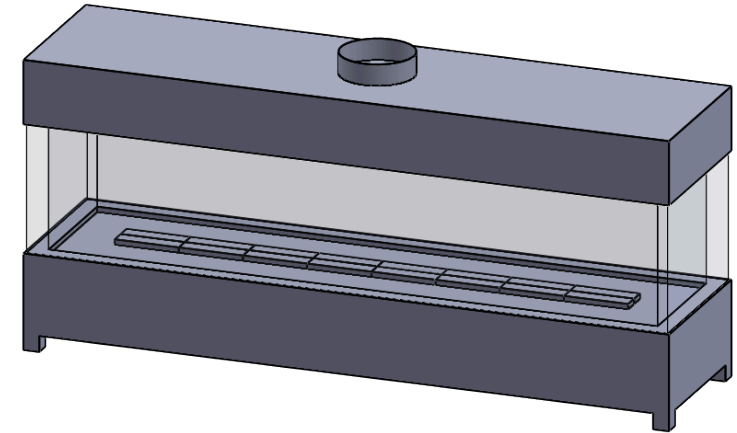


## TECHNICAL SPECIFICATION

This Montigo commercial fireplace and its associated components are part of a custom engineered system.

This system is available with COOL-Pack or Power COOL-Pack cool-touch glass technology, which is ideal for public use applications and residential common or entertaining areas. All systems are power vented with multiple options available and are tested and certified to current ANSI Standards with CSA International US and Canada.

All Montigo commercial fireplace systems are highly customizable. Please contact Montigo to confirm if your installation requirements are within the parameters of these standard specifications.



### GLASS **GLASS DIMENSIONS CAN BE CUSTOMIZED**

Glass Width: 120"

Glass Height: 24"

Glass Type: 5 mm or 6 mm thick tempered glass (standard)  
8 mm tempered glass available (optional)

Laminated safety glass standard on units > 96" tall

No Glass: Open units are available

### GLASS TEMPERATURE

COOL-Pack < 172°F†

Power COOL-Pack Up to a 60°F reduction†

### TYPICAL INTAKE

Intake Size: 14" / 154 sq.in. min.

Intake Location: Bottom, top

Intake Damper: Optional, tied into control system

### TYPICAL EXHAUST

Power Vent: Montigo roof mount, wall mount, flush wall mount, or inline power vent, sized to specific system

Flue Size: 14" / 154 sq.in. min. type B vent, any manufacturer UL/ULC certified, may need to be upsized to specific system

Flue Damper: Optional flue damper, built into power vent or inline tied into control system

### GAS

Rating Input: Max 155,000 BTU/hr

Minimum Inlet Pressure: 5.5" w.c. Natural Gas / 11" w.c. Propane

Gas System: ½" NPT, Hot Surface Ignition, Smart Valve

Concealed Burner with 8" ribbon flame or 16" high-low flame

### CONSTRUCTION

Satin galvanized (black) or stainless steel

### CONSUMPTION SETTING

Consumption settings are rough estimates only and vary depending on vent runs, field conditions and other factors. Please contact Montigo if you require an estimated consumption for your specific project utilizing room air.

### ELECTRICAL

Standalone custom control panel mounted within 150' of fireplace, 208-240 VAC w Neutral, AMP rating depends on actual spec

### BURNER MEDIA

Glass media. Optional: Driftwood logs, speckled stones

### OPTIONS

Uplighting, downlighting, lighting remote control, available in post and post-less configurations

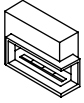
### TESTING STANDARDS

ANSI Z21.50/ CSA 2.22-2016, ANSI Z21.97/ CSA 2.41-2017

† Actual glass temperature will vary based on BTU, vent run configuration, fireplace size, utilized media and panels, ambient temperature and other factors

# MONTIGO® Finishing a Commercial Fireplace Flush Framing

## Montigo Commercial Terminology



**Throated Fireplace** - A "throat" that extends outside the fireplace to aid in framing and finishing.



**Flush Fireplace** - Unit body is flush from the opening to the rest of the fireplace



**BF Fireplace** - Referring to a fireplace with a logset (Refer to rating plate as well.)



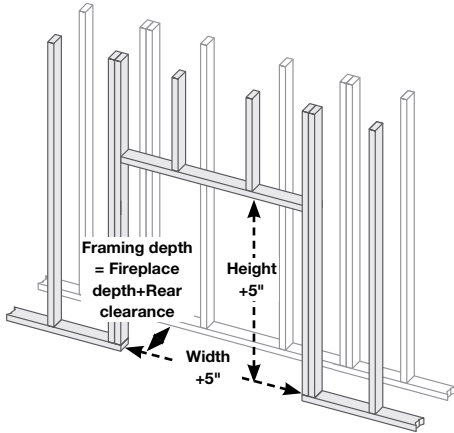
**C-View Fireplace** - Referring to a fireplace with a glass or stone media bed (Refer to rating plate as well.)

| BF Fireplace - Clearance to combustibles |      |       |       |         |       |
|--|------|-------|-------|---------|-------|
| Top                                      | Rear | Sides | Floor | Mantel† | Glass |
| 24"                                      | 3"   | 3"    | 0"    | 0"      | 1/8"  |

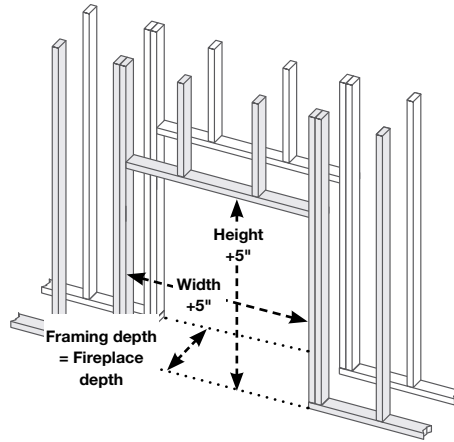
| C-View Fireplace - Clearance to combustibles |      |       |       |         |       |
|--|------|-------|-------|---------|-------|
| Top  | Rear | Sides | Floor | Mantel† | Glass |
| 24"  | 2"   | 2"    | 0"    | 0"      | 1/8"  |

| C-View 4 Sided Fireplace - Clearance to combustibles |      |       |       |         |       |
|--|------|-------|-------|---------|-------|
| Top  | Rear | Sides | Floor | Mantel† | Glass |
| 0"   | 0"   | 0"    | 0"    | 0"      | 1/8"  |

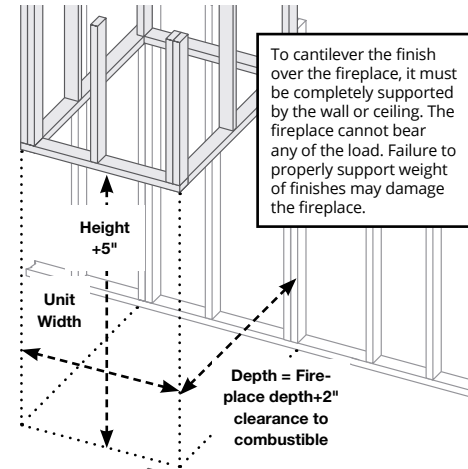
## Flush Single Sided Framing



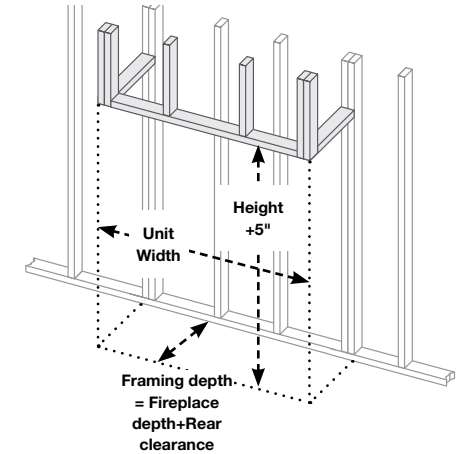
## Flush See Through Framing



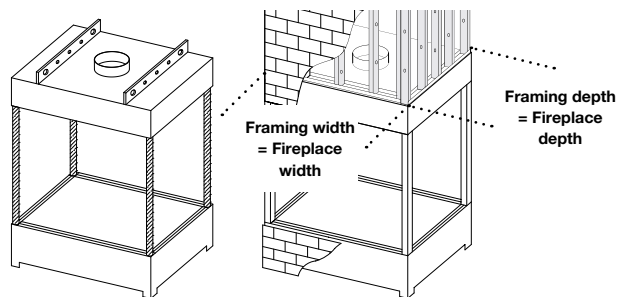
## Flush Pier Framing



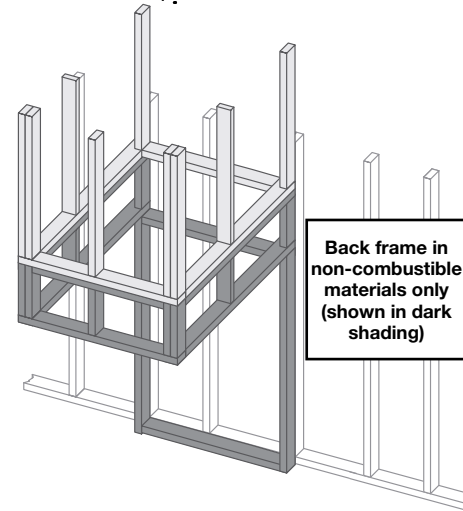
## Flush Bay Framing



## Four Sided Framing



Any framing on the top of the fireplace must be non-combustible, and externally supported. Framing can be in contact with the hood, but must not use the fireplace hood to support the framing. After framing is complete, finishing materials can be extended down along the face of the unit. Do not obstruct the glass opening with finishing materials.



† There are no restrictions on mantel clearance providing they do not project beyond the facing material edge, and the weight of the mantel is fully supported by the framing. Combustible mantels must not be in direct contact with fireplace, i.e. A mantel must have a noncombustible underlay between the fireplace and mantel.

## Flush Fireplaces

This guide applies to the following configurations:  
Four Sided, Round, Pier, Additional flush configurations

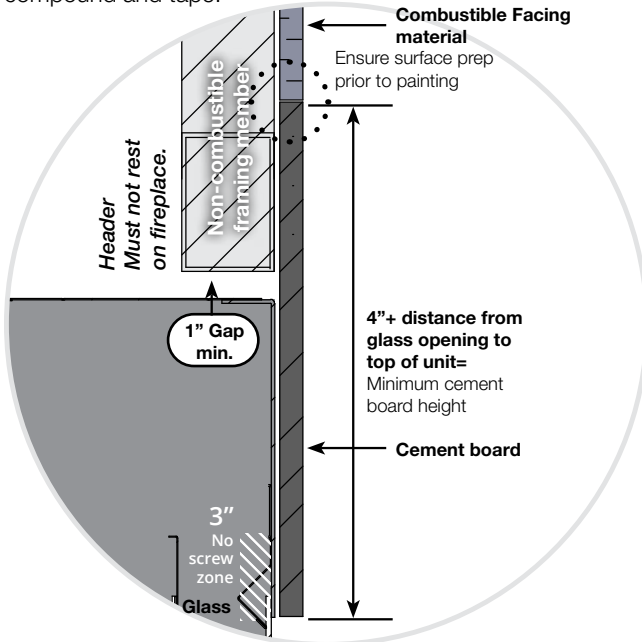
### SURFACE TEMPERATURES NOTE

Temperature will vary with size of unit, vent run, and ambient temperature.  
Contact Montigo for more information on temperatures on your specific fireplace.

When using these finishing guidelines, there will be **NO** situation where a combustible (framing or finishing) will be in contact with the body of the fireplace. This is achieved with our requirement of only permitting a non-combustible coming in contact with the fireplace throat. Heat conduction on the cement board due to contact with the front of the throat will be well with in acceptable temperature limits to attach a combustible onto.

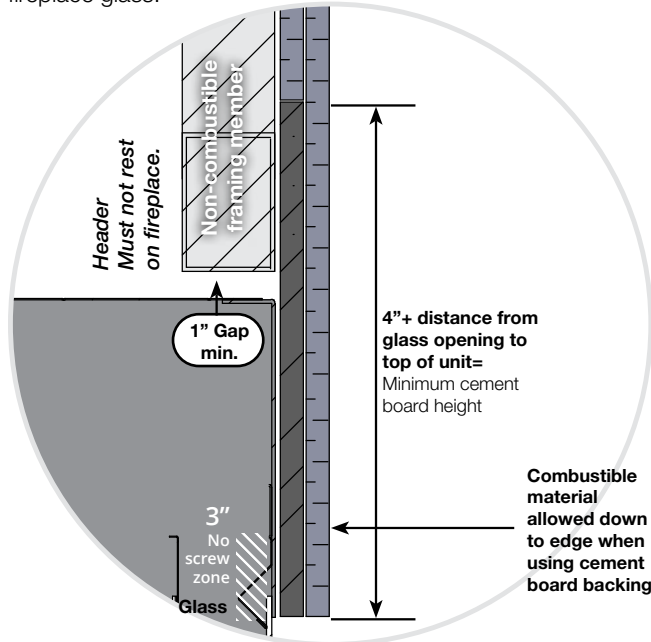
### PAINTED FINISH

For a painted finish please ensure proper surface preparation is done prior to painting, including a high temperature joint compound and tape.



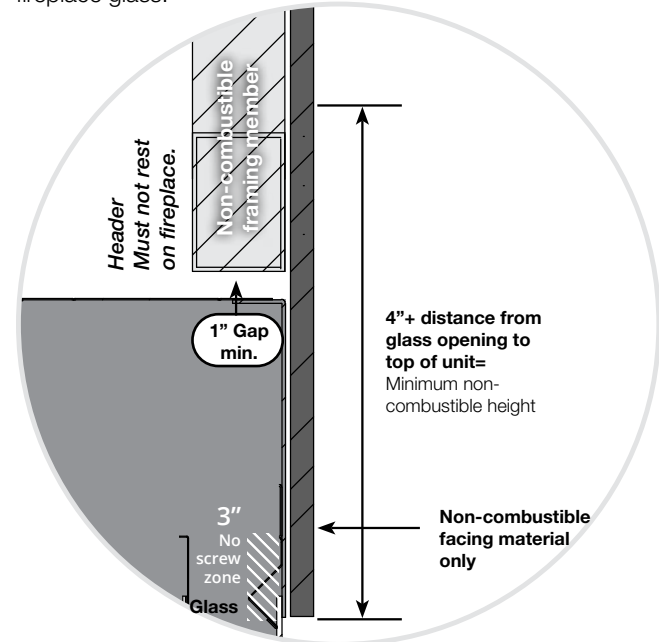
### COMBUSTIBLE FINISHING

It is important that the facing material will NOT rest on the fireplace, this will cause bowing and issues removing the fireplace glass.



### NON-COMBUSTIBLE FLUSH FINISH

It is important that the facing material will NOT rest on the fireplace, this will cause bowing and issues removing the fireplace glass.



## Four Sided, Round, Pier

### MANTELS AND SURROUNDS

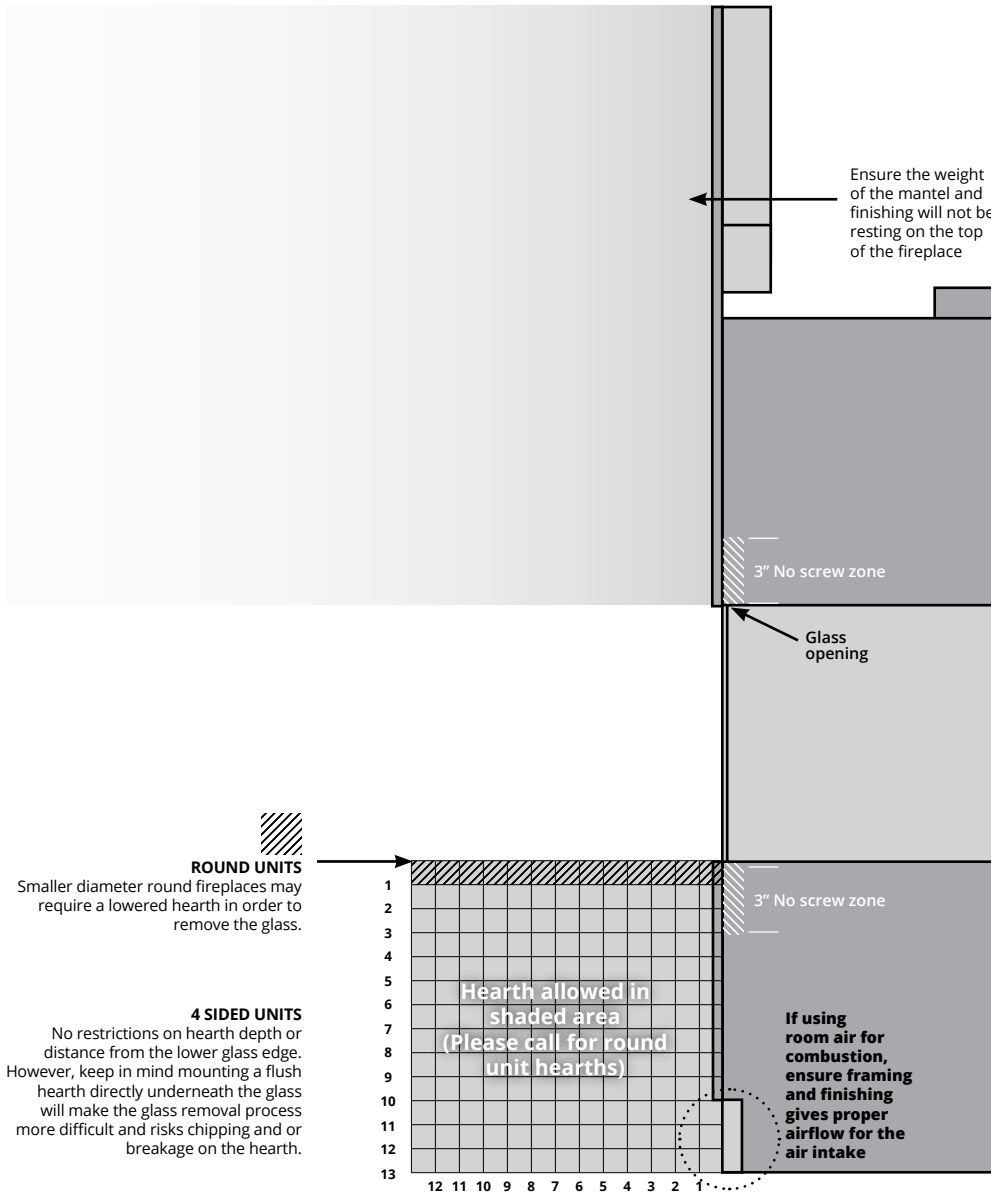
There are no restrictions on mantels providing they do not project beyond the facing material edge and interfere with glass removal, and the weight of the mantel is fully supported by the framing.

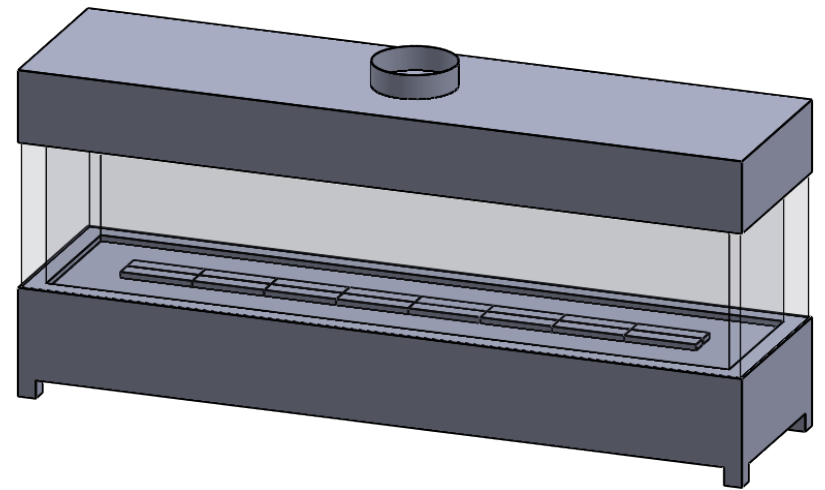
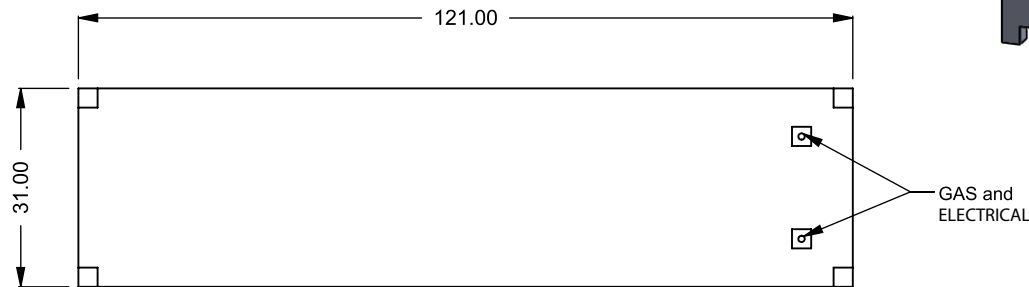
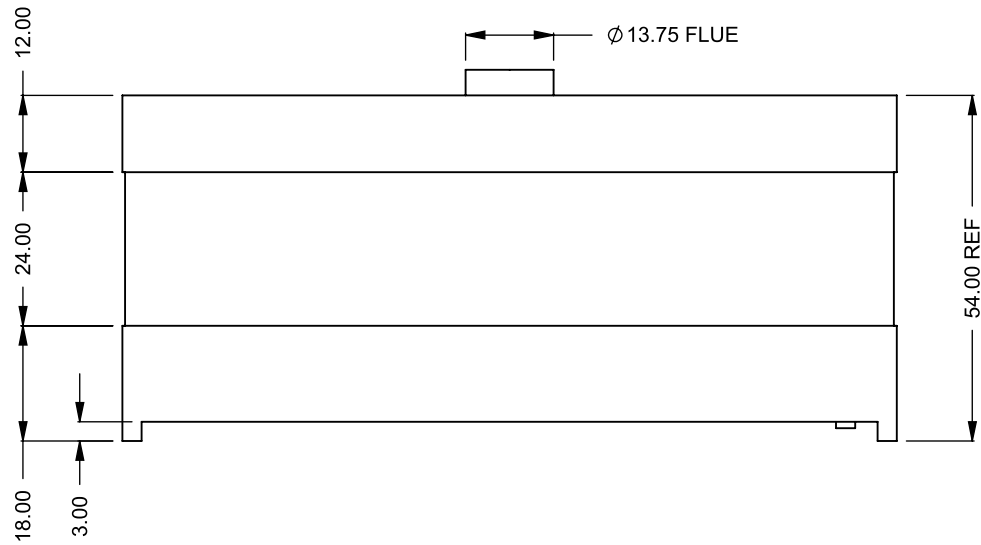
## IR Thermometer Testing

### REQUIRED PROCEDURE

As each custom fireplace can experience different surface temperatures based on factors that can arise in the field (vent run, enclosure size), Montigo requires the testing of surface temperatures using an IR gun after running the fireplace for 2+ hours.

If temperatures are within reason, the IR testing should be repeated once the fireplace is framed and finished to confirm temperatures are OK. **NOTE:** A high surface temperature is not necessarily a call for concern as certain areas of the fireplace may be hot, but will not be in contact with a combustibile when using our framing/finishing procedures.



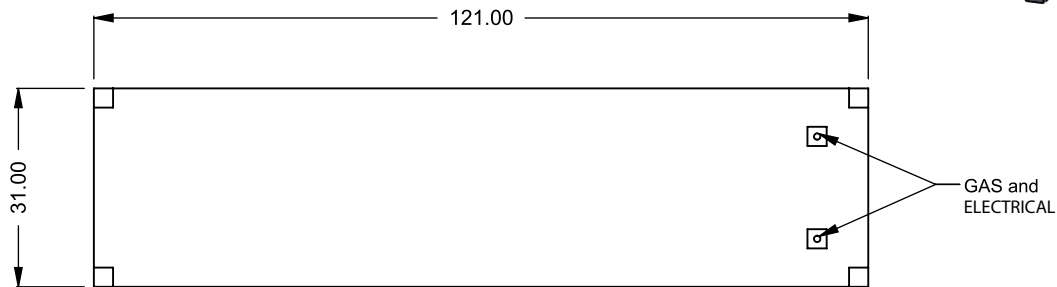
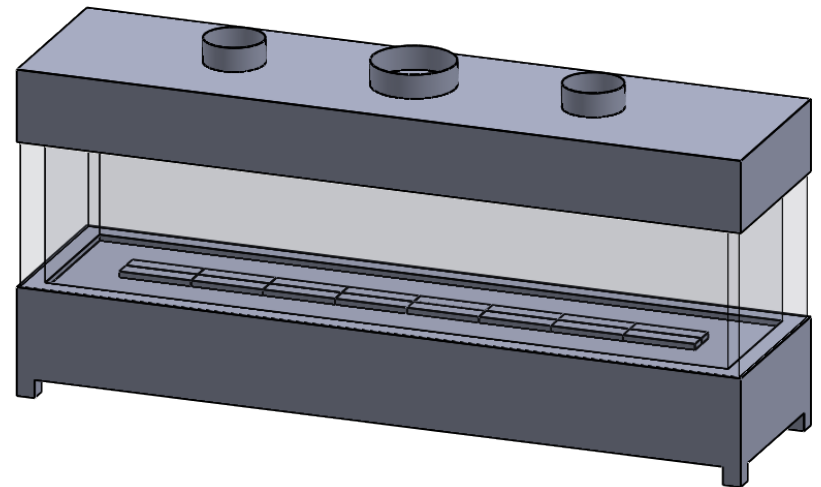
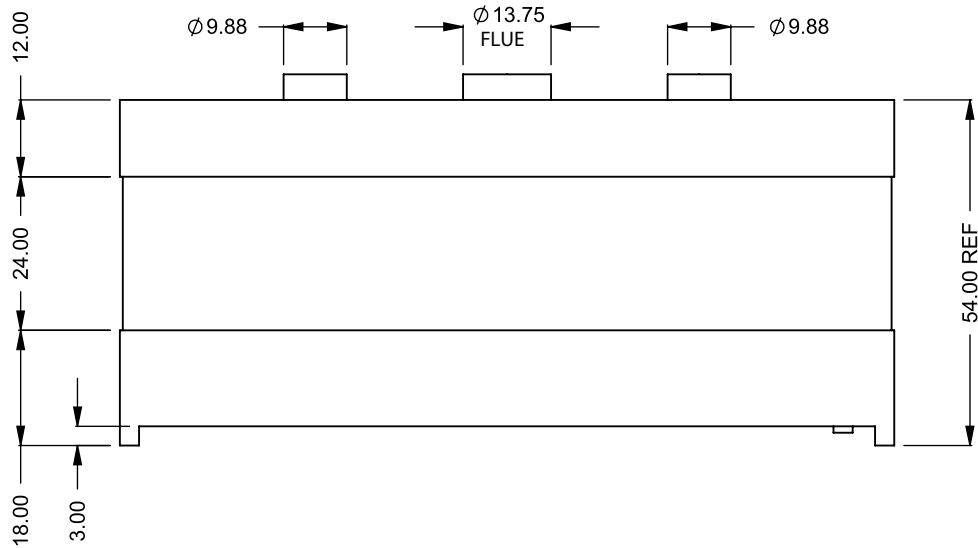


**C4W10 121x31**  
 Power COOL-Pack  
**Bottom Intake**

**PRELIMINARY  
 DRAWING ONLY** 

| EXAMPLE CONFIGURATION  | UNLESS OTHERWISE SPECIFIED                                    | DATE       |
|--|---|------------|
| MONTIGO COMMERCIAL FIREPLACES ARE CUSTOM BUILT FOR EACH PROJECT. THIS DRAWING IS FOR REFERENCE ONLY.<br><br>FLUE AND AIR INTAKE SIZES ARE SUBJECT TO CHANGE DEPENDING ON VENT RUN. | DIMENSIONS ARE IN INCHES<br>TOLERANCES: FRACTIONAL $\pm 1/8"$ | 15/10/2020 |

**MONTIGO**  
 the art of **fireplaces**  
 www.montigo.com

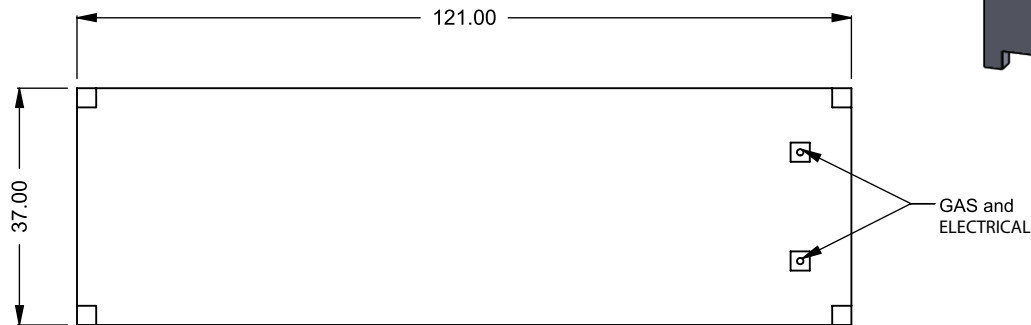
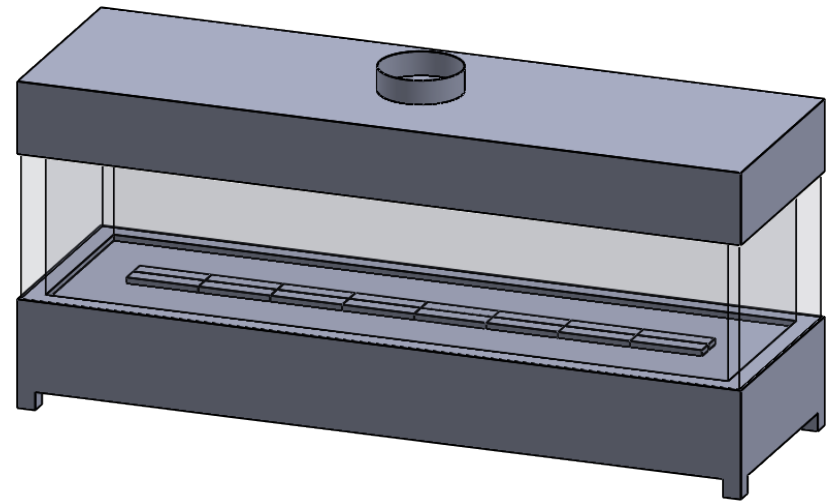
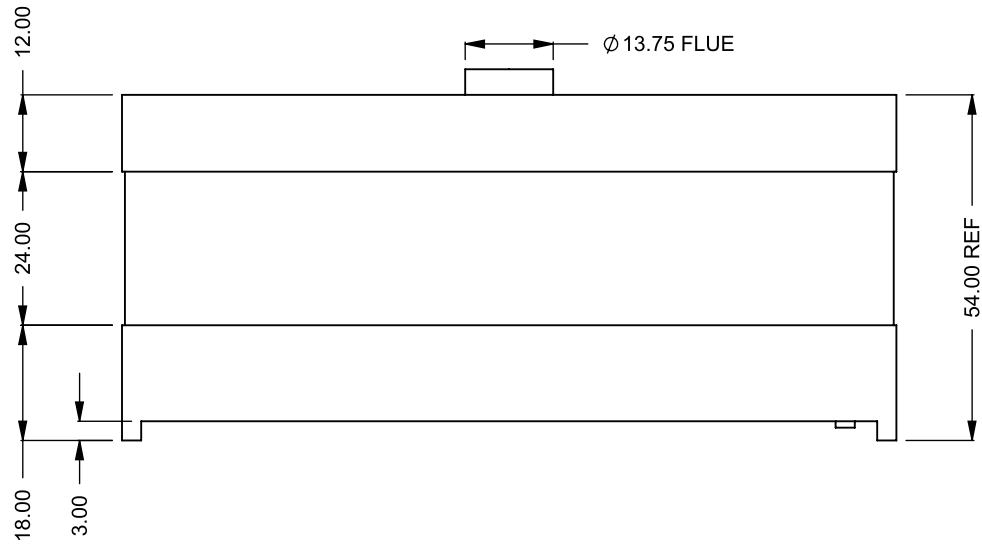


**C4W10 121x31**  
 Power COOL-Pack  
**Top Intake**

**PRELIMINARY  
 DRAWING ONLY** 

| EXAMPLE CONFIGURATION  | UNLESS OTHERWISE SPECIFIED                                    | DATE       |
|--|---|------------|
| MONTIGO COMMERCIAL FIREPLACES ARE CUSTOM BUILT FOR EACH PROJECT. THIS DRAWING IS FOR REFERENCE ONLY.<br><br>FLUE AND AIR INTAKE SIZES ARE SUBJECT TO CHANGE DEPENDING ON VENT RUN. | DIMENSIONS ARE IN INCHES<br>TOLERANCES: FRACTIONAL $\pm 1/8"$ | 15/10/2020 |

**MONTIGO**  
 the art of **fireplaces**  
 www.montigo.com

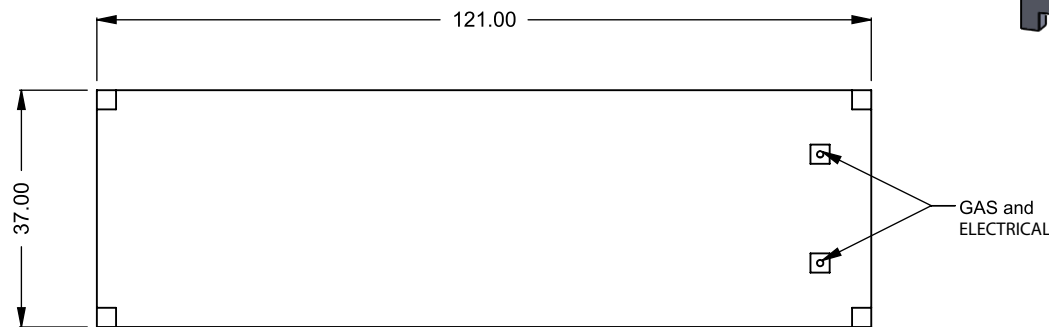
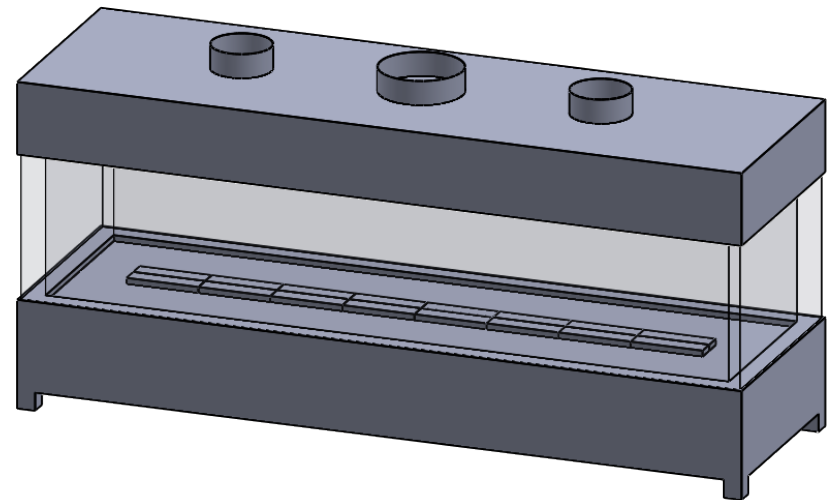
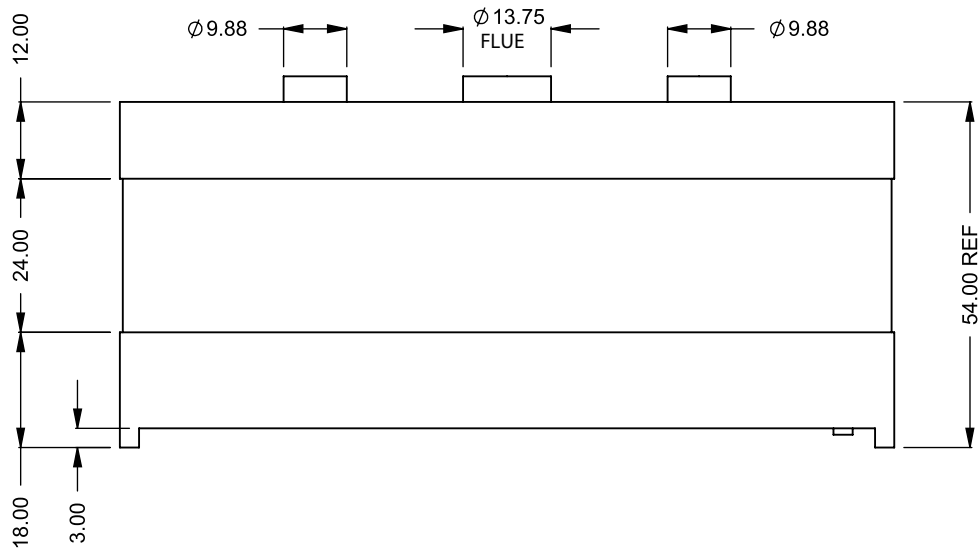


**C4W10 121x37**  
 Power COOL-Pack  
**Bottom Intake**

**PRELIMINARY  
 DRAWING ONLY** 

| <b>EXAMPLE CONFIGURATION</b>   | <b>UNLESS OTHERWISE SPECIFIED</b>                         | <b>DATE</b> |
|--|---|-------------|
| MONTIGO COMMERCIAL FIREPLACES ARE CUSTOM BUILT FOR EACH PROJECT. THIS DRAWING IS FOR REFERENCE ONLY.<br><br>FLUE AND AIR INTAKE SIZES ARE SUBJECT TO CHANGE DEPENDING ON VENT RUN. | DIMENSIONS ARE IN INCHES<br>TOLERANCES: FRACTIONAL ± 1/8" | 15/10/2020  |

**MONTIGO**  
 the art of **fireplaces**  
 www.montigo.com



# C4W10 121x37

Power COOL-Pack

**Top Intake**

**PRELIMINARY  
DRAWING ONLY** 

| EXAMPLE CONFIGURATION   | UNLESS OTHERWISE SPECIFIED   | DATE              |
|---|--|-------------------|
| <p>MONTIGO COMMERCIAL FIREPLACES ARE CUSTOM BUILT FOR EACH PROJECT. THIS DRAWING IS FOR REFERENCE ONLY.</p> <p>FLUE AND AIR INTAKE SIZES ARE SUBJECT TO CHANGE DEPENDING ON VENT RUN.</p> | <p>DIMENSIONS ARE IN INCHES<br/>TOLERANCES: FRACTIONAL <math>\pm 1/8"</math></p> | <p>15/10/2020</p> |

