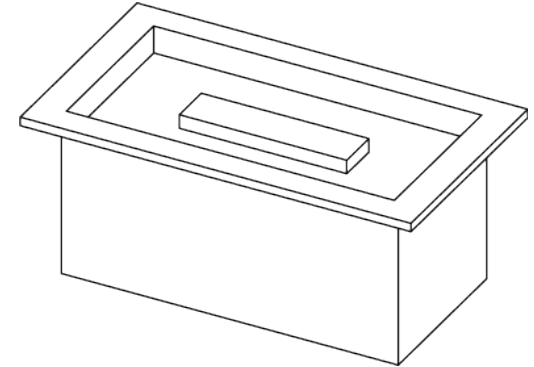


## TECHNICAL SPECIFICATION

This Montigo commercial firepit and its associated components are part of a custom engineered system. All systems are tested and certified to current ANSI Standards with CSA International US and Canada.

Please contact Montigo to confirm if your installation requirements are within the parameters of these standard specifications.



### OVERVIEW

Burner Area: 24 1/8" x 12"

### OPTIONS

Protective mesh enclosure†

Single or double protective glass†

**Note:** Unit dimensions will increase when single or double glass is requested. Please inquire as to actual size.

### TYPICAL INTAKE

Intake Size: 3 1/2" sq.in. min.

Intake Location: Bottom

### TYPICAL EXHAUST

Outdoor appliance, no dedicated vent

### GAS

Rating Input: Estimated 22,000 BTU/hr

Minimum Inlet Pressure: 5.5" w.c. Natural Gas / 11" w.c. Propane

Gas System: 1/2" NPT, Hot Surface Ignition, Smart Valve

Concealed burner with ribbon flame

### CONSTRUCTION

Stainless steel or satin galvanized (black)\*, delivered rough finished, ready to clad; supplied locally by others

### ELECTRICAL

Standalone NEMA weatherproof box with built-in on/off switch mounted within 50' -150' of firepit near 120 VAC 5 AMP exterior outlet

Box includes short whip and three prong plug

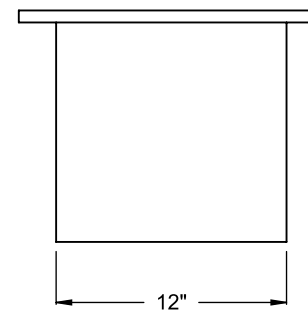
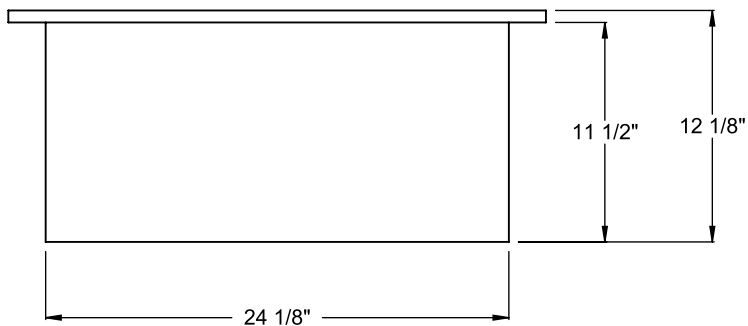
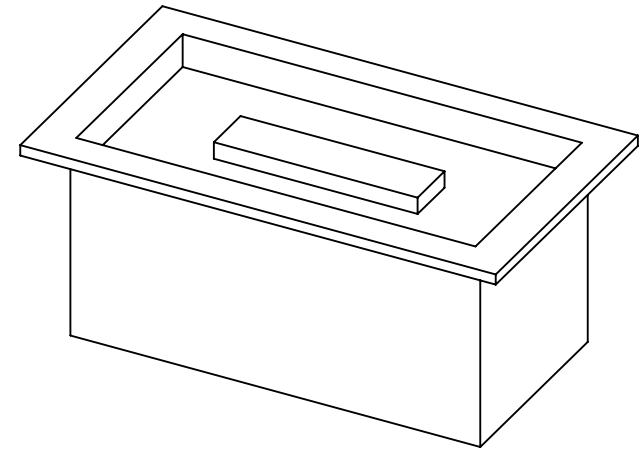
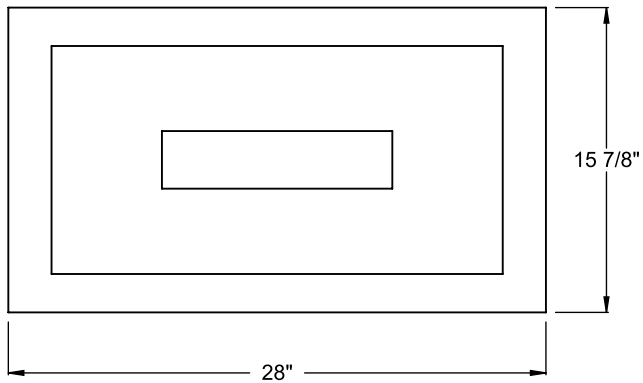
### BURNER MEDIA

Glass media

### TESTING STANDARDS

ANSI Z21.97-2017/CSA 2.41-2017

† May be available, please inquire on your specific project, waiver required  
\* Option can be used when the firepit is in a protected or covered location



**CFPO-2**  
 Linear Firepit  
**Bottom Intake**

**PRELIMINARY  
 DRAWING ONLY** 

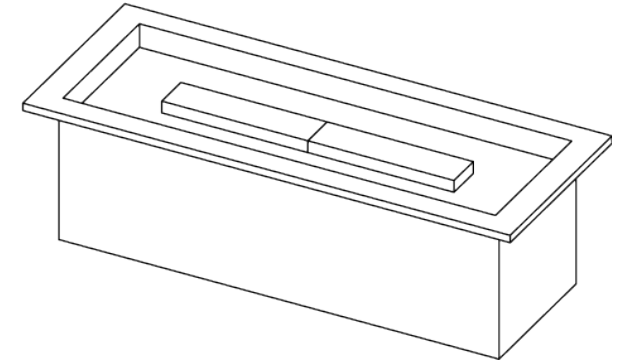
EXAMPLE CONFIGURATION	UNLESS OTHERWISE SPECIFIED	DATE
MONTIGO COMMERCIAL FIREPLACES ARE CUSTOM BUILT FOR EACH PROJECT. THIS DRAWING IS FOR REFERENCE ONLY.  FLUE AND AIR INTAKE SIZES ARE SUBJECT TO CHANGE DEPENDING ON VENT RUN.	DIMENSIONS ARE IN INCHES TOLERANCES: FRACTIONAL $\pm 1/8"$	28/08/2020

**MONTIGO**  
 the art of **fireplaces**  
 www.montigo.com

## TECHNICAL SPECIFICATION

This Montigo commercial firepit and its associated components are part of a custom engineered system. All systems are tested and certified to current ANSI Standards with CSA International US and Canada.

Please contact Montigo to confirm if your installation requirements are within the parameters of these standard specifications.



### OVERVIEW

Burner Area: 36 1/8" x 12"

### OPTIONS

Protective mesh enclosure†

Single or double protective glass†

**Note:** Unit dimensions will increase when single or double glass is requested. Please inquire as to actual size.

### TYPICAL INTAKE

Intake Size: 7" sq.in. min.

Intake Location: Bottom

### TYPICAL EXHAUST

Outdoor appliance, no dedicated vent

### GAS

Rating Input: Estimated 40,000 BTU/hr

Minimum Inlet Pressure: 5.5" w.c. Natural Gas / 11" w.c. Propane

Gas System: 1/2" NPT, Hot Surface Ignition, Smart Valve

Concealed burner with ribbon flame

### CONSTRUCTION

Stainless steel or satin galvanized (black)\*, delivered rough finished, ready to clad; supplied locally by others

### ELECTRICAL

Standalone NEMA weatherproof box with built-in on/off switch mounted within 50' -150' of firepit near 120 VAC 5 AMP exterior outlet

Box includes short whip and three prong plug

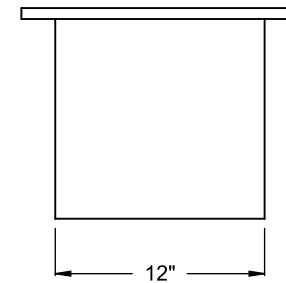
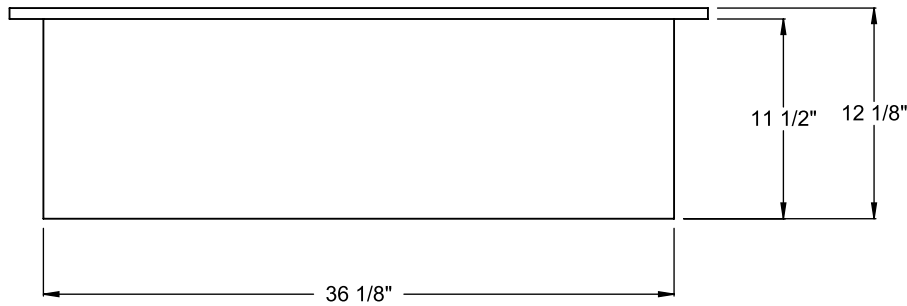
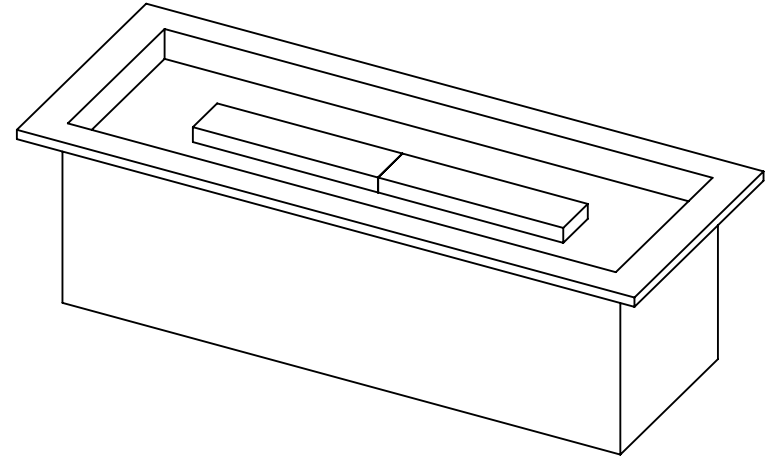
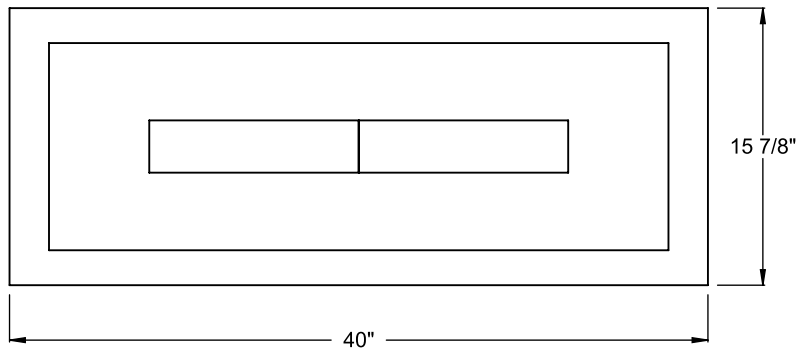
### BURNER MEDIA

Glass media

### TESTING STANDARDS

ANSI Z21.97-2017/CSA 2.41-2017

† May be available, please inquire on your specific project, waiver required  
\* Option can be used when the firepit is in a protected or covered location



**CFPO-3**  
 Linear Firepit  
**Bottom Intake**

**PRELIMINARY  
 DRAWING ONLY** 

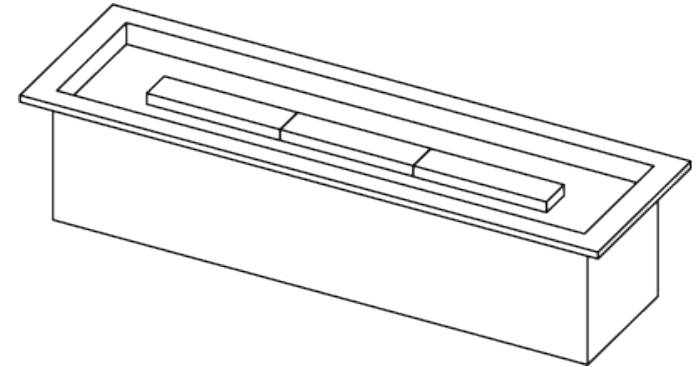
<b>EXAMPLE CONFIGURATION</b>	<b>UNLESS OTHERWISE SPECIFIED</b>	<b>DATE</b>
MONTIGO COMMERCIAL FIREPLACES ARE CUSTOM BUILT FOR EACH PROJECT. THIS DRAWING IS FOR REFERENCE ONLY.  FLUE AND AIR INTAKE SIZES ARE SUBJECT TO CHANGE DEPENDING ON VENT RUN.	DIMENSIONS ARE IN INCHES TOLERANCES: FRACTIONAL $\pm 1/8"$	28/08/2020

**MONTIGO**  
 the art of **fireplaces**  
 www.montigo.com

## TECHNICAL SPECIFICATION

This Montigo commercial firepit and its associated components are part of a custom engineered system. All systems are tested and certified to current ANSI Standards with CSA International US and Canada.

Please contact Montigo to confirm if your installation requirements are within the parameters of these standard specifications.



### OVERVIEW

Burner Area: 48 1/8" x 12"

### OPTIONS

Protective mesh enclosure†

Single or double protective glass†

**Note:** Unit dimensions will increase when single or double glass is requested. Please inquire as to actual size.

### TYPICAL INTAKE

Intake Size: 10" sq.in. min.

Intake Location: Bottom

### TYPICAL EXHAUST

Outdoor appliance, no dedicated vent

### GAS

Rating Input: Estimated 60,000 BTU/hr

Minimum Inlet Pressure: 5.5" w.c. Natural Gas / 11" w.c. Propane

Gas System: 1/2" NPT, Hot Surface Ignition, Smart Valve

Concealed burner with ribbon flame

### CONSTRUCTION

Stainless steel or satin galvanized (black)\*, delivered rough finished, ready to clad; supplied locally by others

### ELECTRICAL

Standalone NEMA weatherproof box with built-in on/off switch mounted within 50' -150' of firepit near 120 VAC 5 AMP exterior outlet

Box includes short whip and three prong plug

### BURNER MEDIA

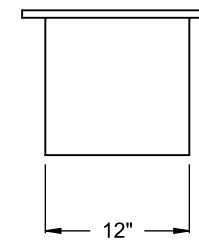
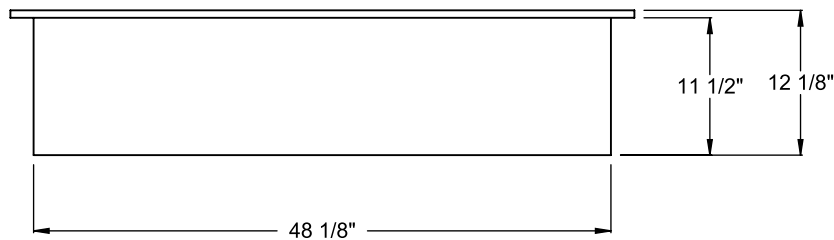
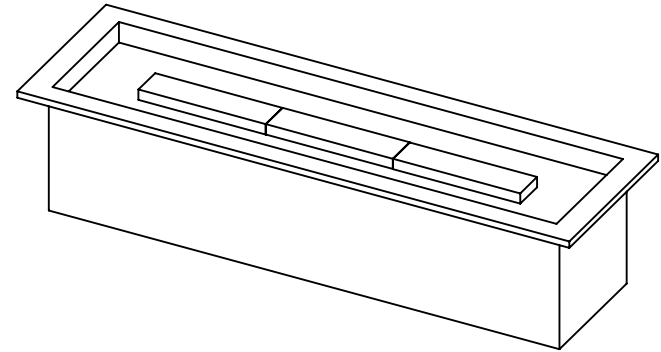
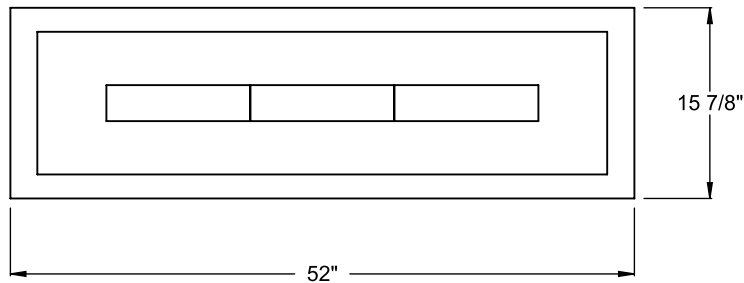
Glass media

### TESTING STANDARDS

ANSI Z21.97-2017/CSA 2.41-2017

† May be available, please inquire on your specific project, waiver required

\* Option can be used when the firepit is in a protected or covered location



**CFPO-4**  
 Linear Firepit  
**Bottom Intake**

**PRELIMINARY  
 DRAWING ONLY** 

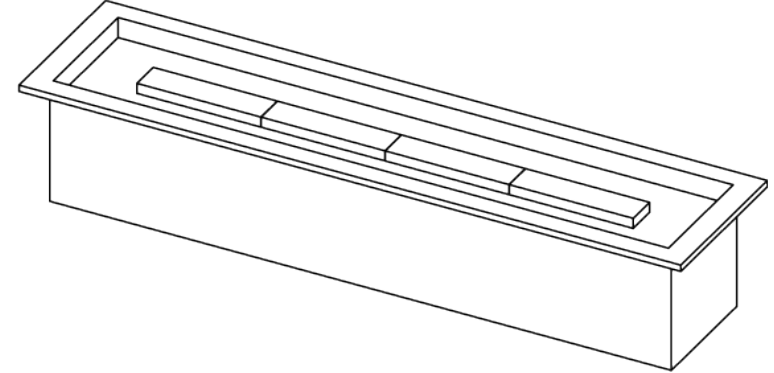
EXAMPLE CONFIGURATION	UNLESS OTHERWISE SPECIFIED	DATE
MONTIGO COMMERCIAL FIREPLACES ARE CUSTOM BUILT FOR EACH PROJECT. THIS DRAWING IS FOR REFERENCE ONLY.  FLUE AND AIR INTAKE SIZES ARE SUBJECT TO CHANGE DEPENDING ON VENT RUN.	DIMENSIONS ARE IN INCHES TOLERANCES: FRACTIONAL $\pm 1/8"$	28/08/2020

**MONTIGO**  
 the art of **fireplaces**  
 www.montigo.com

## TECHNICAL SPECIFICATION

This Montigo commercial firepit and its associated components are part of a custom engineered system. All systems are tested and certified to current ANSI Standards with CSA International US and Canada.

Please contact Montigo to confirm if your installation requirements are within the parameters of these standard specifications.



### OVERVIEW

Burner Area: 60 1/8" x 12"

### OPTIONS

Protective mesh enclosure†

Single or double protective glass†

**Note:** Unit dimensions will increase when single or double glass is requested. Please inquire as to actual size.

### TYPICAL INTAKE

Intake Size: 13 1/2" sq.in. min.

Intake Location: Bottom

### TYPICAL EXHAUST

Outdoor appliance, no dedicated vent

### GAS

Rating Input: Estimated 80,000 BTU/hr

Minimum Inlet Pressure: 5.5" w.c. Natural Gas / 11" w.c. Propane

Gas System: 1/2" NPT, Hot Surface Ignition, Smart Valve

Concealed burner with ribbon flame

### CONSTRUCTION

Stainless steel or satin galvanized (black)\*, delivered rough finished, ready to clad; supplied locally by others

### ELECTRICAL

Standalone NEMA weatherproof box with built-in on/off switch mounted within 50' -150' of firepit near 120 VAC 5 AMP exterior outlet

Box includes short whip and three prong plug

### BURNER MEDIA

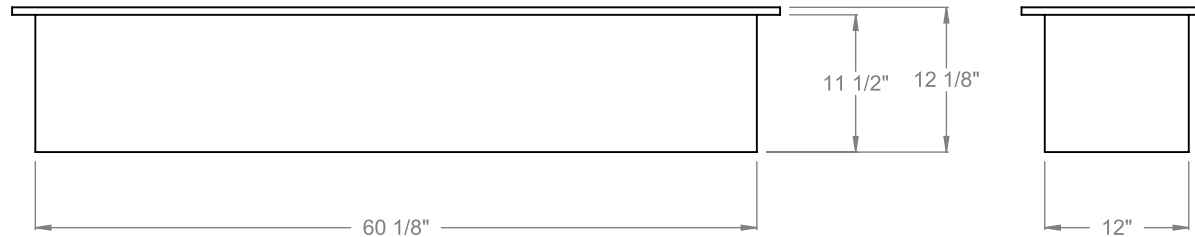
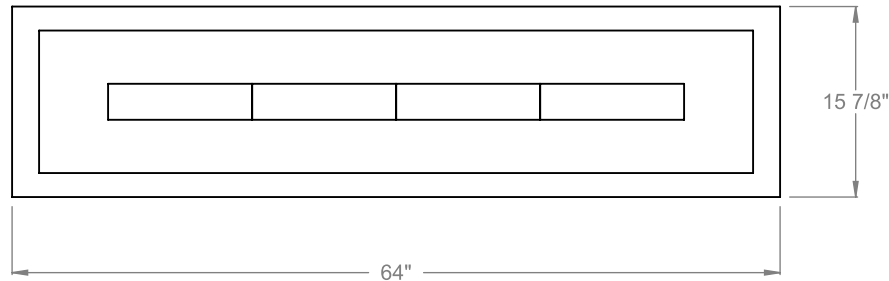
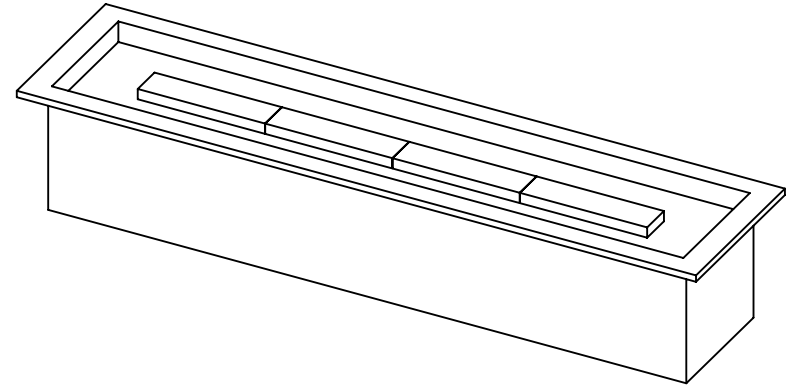
Glass media

### TESTING STANDARDS

ANSI Z21.97-2017/CSA 2.41-2017

† May be available, please inquire on your specific project, waiver required

\* Option can be used when the firepit is in a protected or covered location



**CFPO-5**  
Linear Firepit  
**Bottom Intake**

**PRELIMINARY  
DRAWING ONLY** 

<b>EXAMPLE CONFIGURATION</b>	<b>UNLESS OTHERWISE SPECIFIED</b>	<b>DATE</b>
MONTIGO COMMERCIAL FIREPLACES ARE CUSTOM BUILT FOR EACH PROJECT. THIS DRAWING IS FOR REFERENCE ONLY.  FLUE AND AIR INTAKE SIZES ARE SUBJECT TO CHANGE DEPENDING ON VENT RUN.	DIMENSIONS ARE IN INCHES TOLERANCES: FRACTIONAL $\pm 1/8"$	28/08/2020

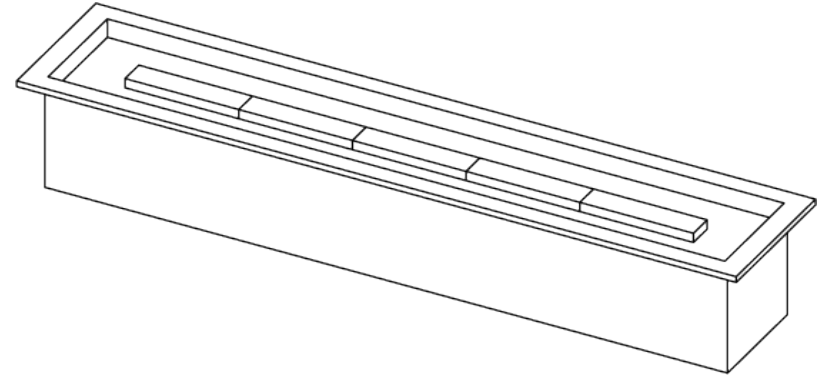
**MONTIGO**  
the art of **fireplaces**  
www.montigo.com



## TECHNICAL SPECIFICATION

This Montigo commercial firepit and its associated components are part of a custom engineered system. All systems are tested and certified to current ANSI Standards with CSA International US and Canada.

Please contact Montigo to confirm if your installation requirements are within the parameters of these standard specifications.



### OVERVIEW

Burner Area: 72 1/8" x 12"

### OPTIONS

Protective mesh enclosure†

Single or double protective glass†

**Note:** Unit dimensions will increase when single or double glass is requested. Please inquire as to actual size.

### TYPICAL INTAKE

Intake Size: 17" sq.in. min.

Intake Location: Bottom

### TYPICAL EXHAUST

Outdoor appliance, no dedicated vent

### GAS

Rating Input: Estimated 90,000 BTU/hr

Minimum Inlet Pressure: 5.5" w.c. Natural Gas / 11" w.c. Propane

Gas System: 1/2" NPT, Hot Surface Ignition, Smart Valve

Concealed burner with ribbon flame

### CONSTRUCTION

Stainless steel or satin galvanized (black)\*, delivered rough finished, ready to clad; supplied locally by others

### ELECTRICAL

Standalone NEMA weatherproof box with built-in on/off switch mounted within 50' -150' of firepit near 120 VAC 5 AMP exterior outlet

Box includes short whip and three prong plug

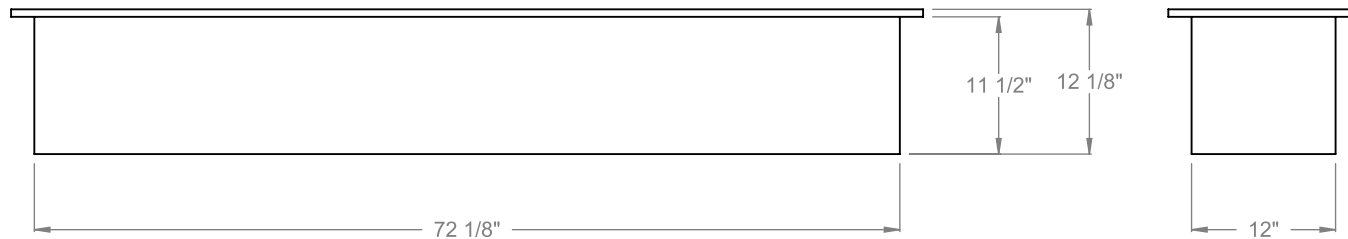
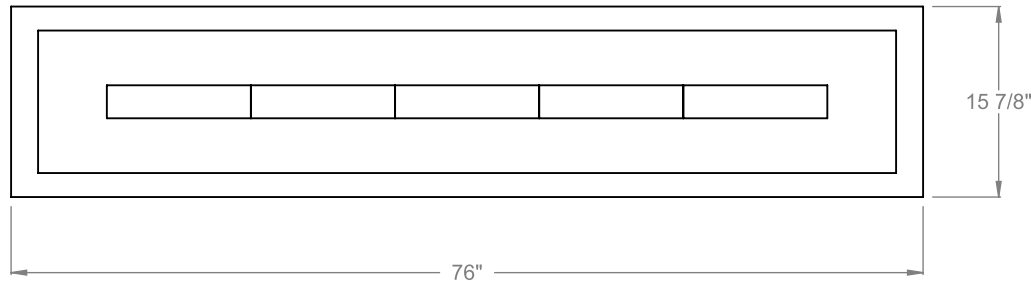
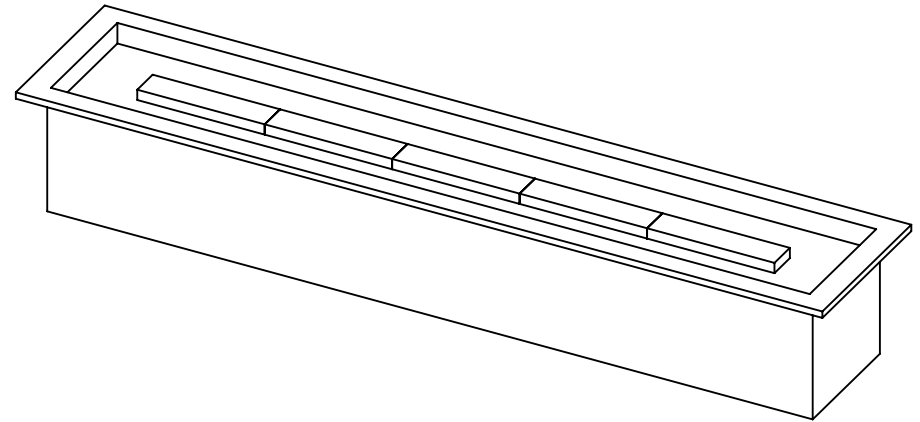
### BURNER MEDIA

Glass media

### TESTING STANDARDS

ANSI Z21.97-2017/CSA 2.41-2017

† May be available, please inquire on your specific project, waiver required  
\* Option can be used when the firepit is in a protected or covered location



**CFPO-6**  
 Linear Firepit  
**Bottom Intake**

**PRELIMINARY  
 DRAWING ONLY** 

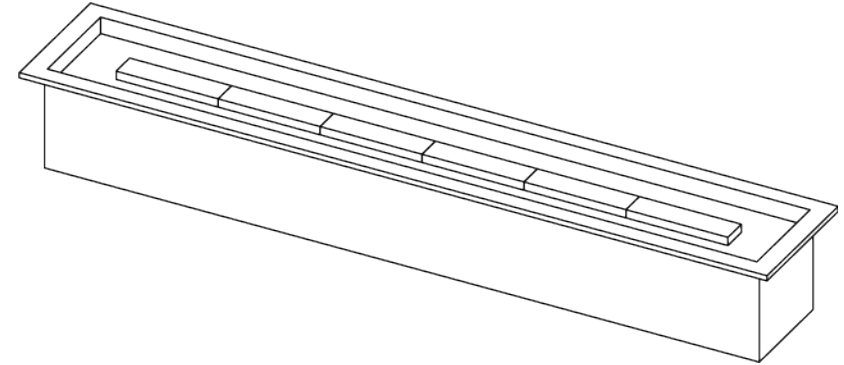
EXAMPLE CONFIGURATION	UNLESS OTHERWISE SPECIFIED	DATE
MONTIGO COMMERCIAL FIREPLACES ARE CUSTOM BUILT FOR EACH PROJECT. THIS DRAWING IS FOR REFERENCE ONLY.  FLUE AND AIR INTAKE SIZES ARE SUBJECT TO CHANGE DEPENDING ON VENT RUN.	DIMENSIONS ARE IN INCHES TOLERANCES: FRACTIONAL $\pm 1/8"$	28/08/2020

**MONTIGO**  
 the art of **fireplaces**  
[www.montigo.com](http://www.montigo.com)

## TECHNICAL SPECIFICATION

This Montigo commercial firepit and its associated components are part of a custom engineered system. All systems are tested and certified to current ANSI Standards with CSA International US and Canada.

Please contact Montigo to confirm if your installation requirements are within the parameters of these standard specifications.



### OVERVIEW

Burner Area: 84 1/8" x 12"

### OPTIONS

Protective mesh enclosure†

Single or double protective glass†

**Note:** Unit dimensions will increase when single or double glass is requested. Please inquire as to actual size.

### TYPICAL INTAKE

Intake Size: 20" sq.in. min.

Intake Location: Bottom

### TYPICAL EXHAUST

Outdoor appliance, no dedicated vent

### GAS

Rating Input: Estimated 110,000 BTU/hr

Minimum Inlet Pressure: 5.5" w.c. Natural Gas / 11" w.c. Propane

Gas System: 1/2" NPT, Hot Surface Ignition, Smart Valve

Concealed burner with ribbon flame

### CONSTRUCTION

Stainless steel or satin galvanized (black)\*, delivered rough finished, ready to clad; supplied locally by others

### ELECTRICAL

Standalone NEMA weatherproof box with built-in on/off switch mounted within 50' -150' of firepit near 120 VAC 5 AMP exterior outlet

Box includes short whip and three prong plug

### BURNER MEDIA

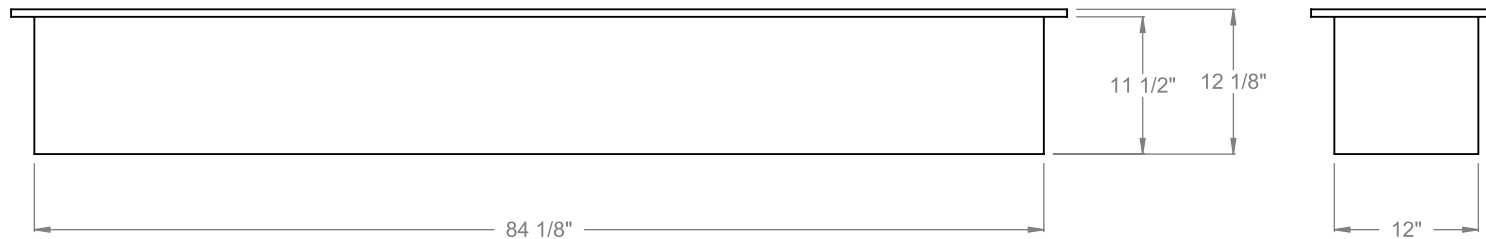
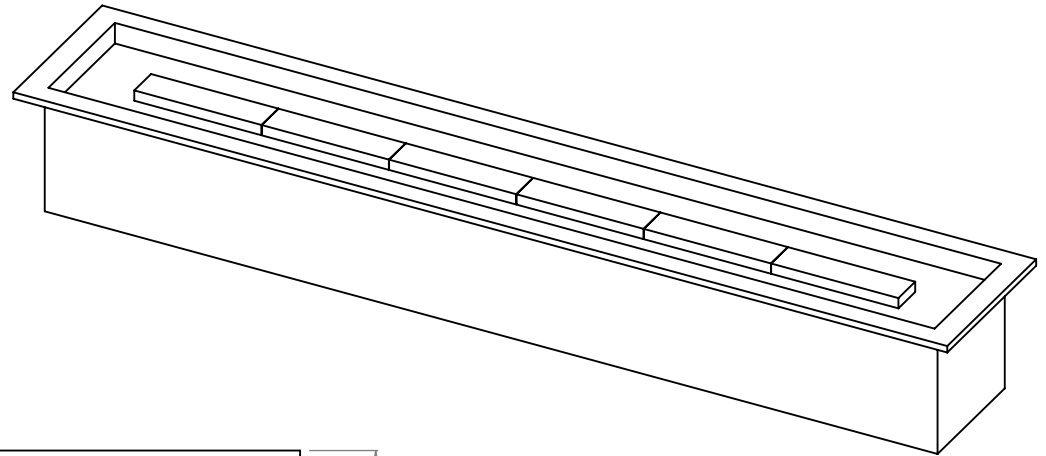
Glass media

### TESTING STANDARDS

ANSI Z21.97-2017/CSA 2.41-2017

† May be available, please inquire on your specific project, waiver required

\* Option can be used when the firepit is in a protected or covered location



**CFPO-7**  
 Linear Firepit  
**Bottom Intake**

**PRELIMINARY  
 DRAWING ONLY** 

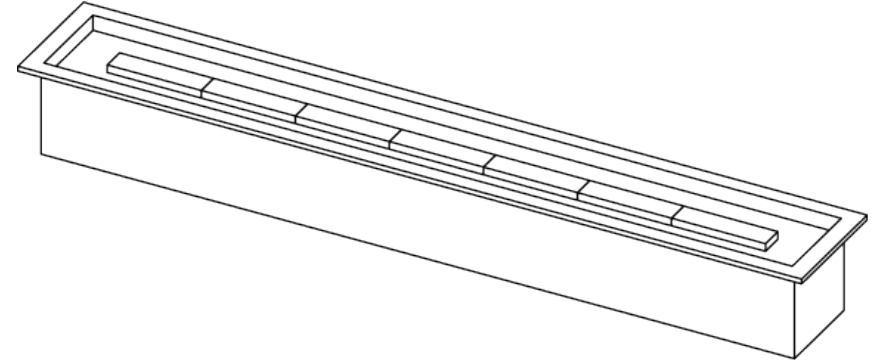
<b>EXAMPLE CONFIGURATION</b>	<b>UNLESS OTHERWISE SPECIFIED</b>	<b>DATE</b>
MONTIGO COMMERCIAL FIREPLACES ARE CUSTOM BUILT FOR EACH PROJECT. THIS DRAWING IS FOR REFERENCE ONLY.  FLUE AND AIR INTAKE SIZES ARE SUBJECT TO CHANGE DEPENDING ON VENT RUN.	DIMENSIONS ARE IN INCHES TOLERANCES: FRACTIONAL $\pm 1/8"$	28/08/2020

**MONTIGO**  
 the art of **fireplaces**  
[www.montigo.com](http://www.montigo.com)

## TECHNICAL SPECIFICATION

This Montigo commercial firepit and its associated components are part of a custom engineered system. All systems are tested and certified to current ANSI Standards with CSA International US and Canada.

Please contact Montigo to confirm if your installation requirements are within the parameters of these standard specifications.



### OVERVIEW

Burner Area: 96 1/8" x 12"

### OPTIONS

Protective mesh enclosure†

Single or double protective glass†

**Note:** Unit dimensions will increase when single or double glass is requested. Please inquire as to actual size.

### TYPICAL INTAKE

Intake Size: 26 1/2" sq.in. min.

Intake Location: Bottom

### TYPICAL EXHAUST

Outdoor appliance, no dedicated vent

### GAS

Rating Input: Estimated 130,000 BTU/hr

Minimum Inlet Pressure: 5.5" w.c. Natural Gas / 11" w.c. Propane

Gas System: 1/2" NPT, Hot Surface Ignition, Smart Valve

Concealed burner with ribbon flame

### CONSTRUCTION

Stainless steel or satin galvanized (black)\*, delivered rough finished, ready to clad; supplied locally by others

### ELECTRICAL

Standalone NEMA weatherproof box with built-in on/off switch mounted within 50' -150' of firepit near 120 VAC 5 AMP exterior outlet

Box includes short whip and three prong plug

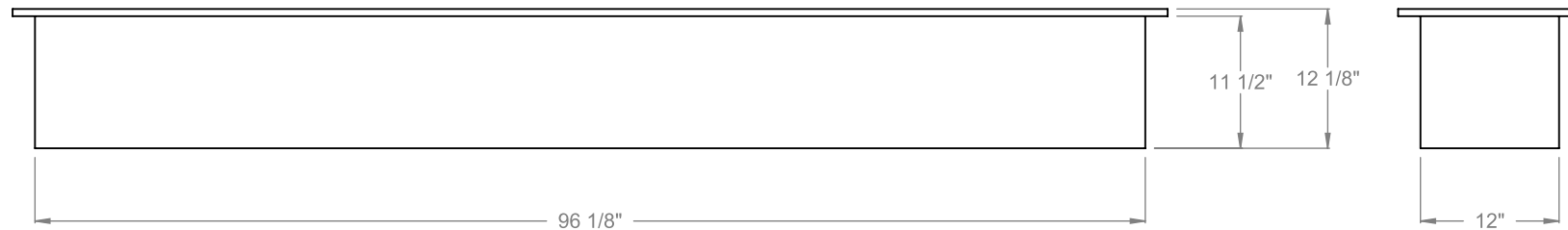
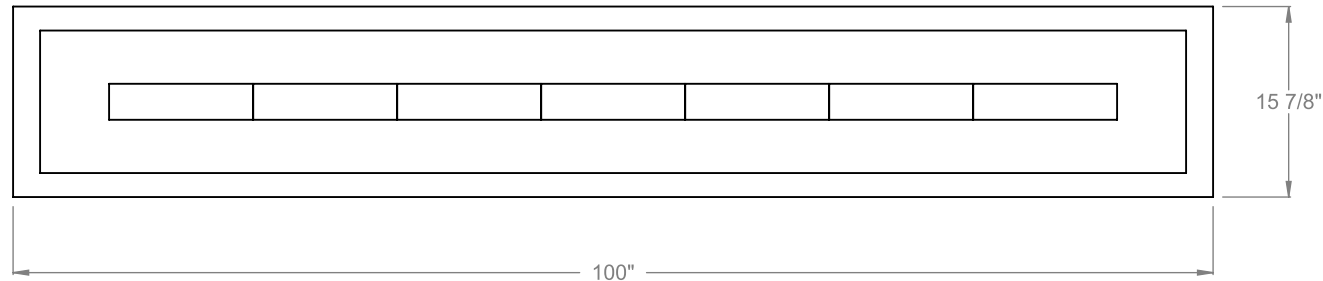
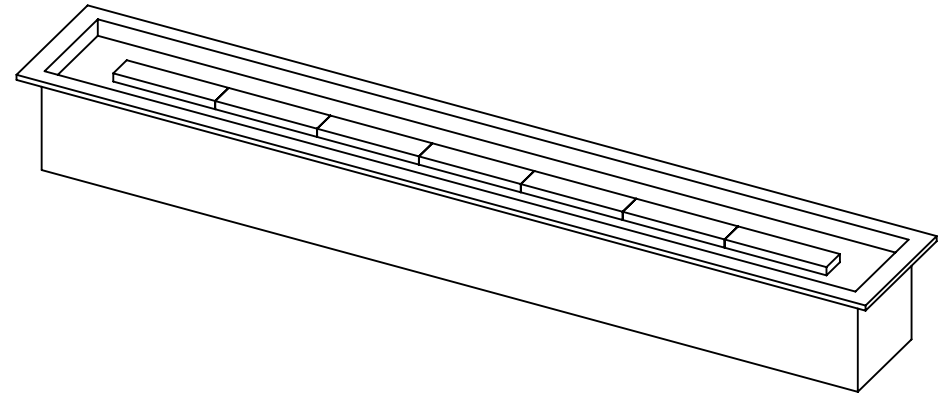
### BURNER MEDIA

Glass media

### TESTING STANDARDS

ANSI Z21.97-2017/CSA 2.41-2017

† May be available, please inquire on your specific project, waiver required  
\* Option can be used when the firepit is in a protected or covered location



**CFPO-8**  
 Linear Firepit  
**Bottom Intake**

**PRELIMINARY  
 DRAWING ONLY** 

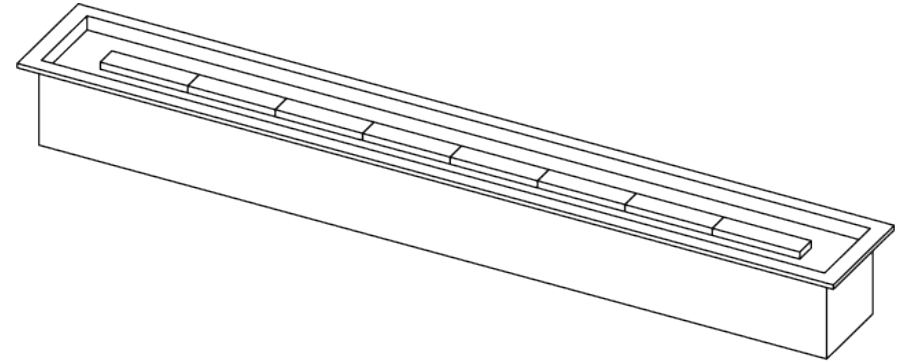
EXAMPLE CONFIGURATION	UNLESS OTHERWISE SPECIFIED	DATE
MONTIGO COMMERCIAL FIREPLACES ARE CUSTOM BUILT FOR EACH PROJECT. THIS DRAWING IS FOR REFERENCE ONLY.  FLUE AND AIR INTAKE SIZES ARE SUBJECT TO CHANGE DEPENDING ON VENT RUN.	DIMENSIONS ARE IN INCHES TOLERANCES: FRACTIONAL $\pm 1/8"$	28/08/2020

**MONTIGO**  
 the art of **fireplaces**  
 www.montigo.com

## TECHNICAL SPECIFICATION

This Montigo commercial firepit and its associated components are part of a custom engineered system. All systems are tested and certified to current ANSI Standards with CSA International US and Canada.

Please contact Montigo to confirm if your installation requirements are within the parameters of these standard specifications.



### OVERVIEW

Burner Area: 108 1/8" x 12"

### OPTIONS

Protective mesh enclosure†

Single or double protective glass†

**Note:** Unit dimensions will increase when single or double glass is requested. Please inquire as to actual size.

### TYPICAL INTAKE

Intake Size: 27" sq.in. min.

Intake Location: Bottom

### TYPICAL EXHAUST

Outdoor appliance, no dedicated vent

### GAS

Rating Input: Estimated 150,000 BTU/hr

Minimum Inlet Pressure: 5.5" w.c. Natural Gas / 11" w.c. Propane

Gas System: 1/2" NPT, Hot Surface Ignition, Smart Valve

Concealed burner with ribbon flame

### CONSTRUCTION

Stainless steel or satin galvanized (black)\*, delivered rough finished, ready to clad; supplied locally by others

### ELECTRICAL

Standalone NEMA weatherproof box with built-in on/off switch mounted within 50' -150' of firepit near 120 VAC 5 AMP exterior outlet

Box includes short whip and three prong plug

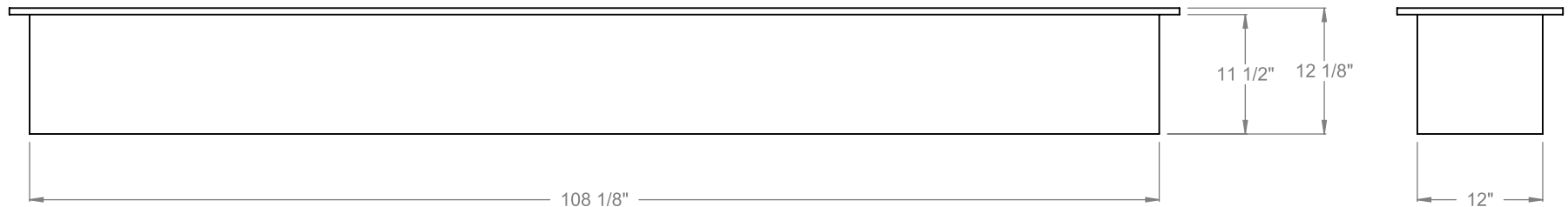
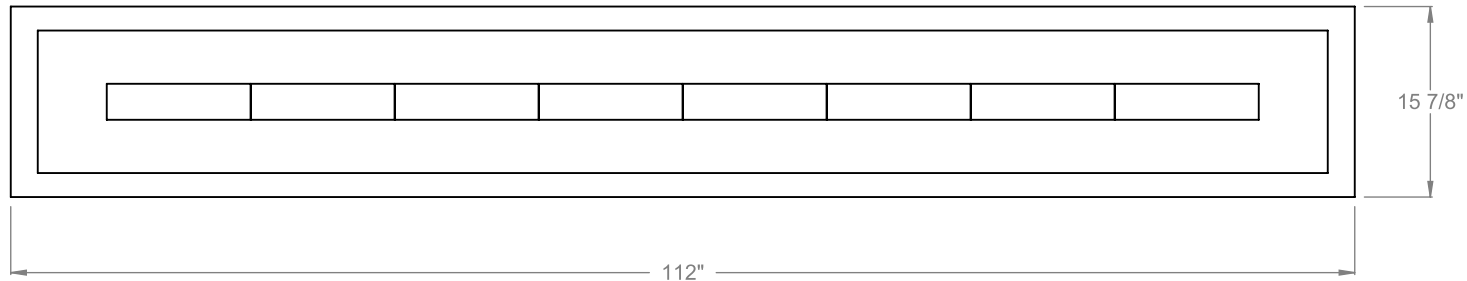
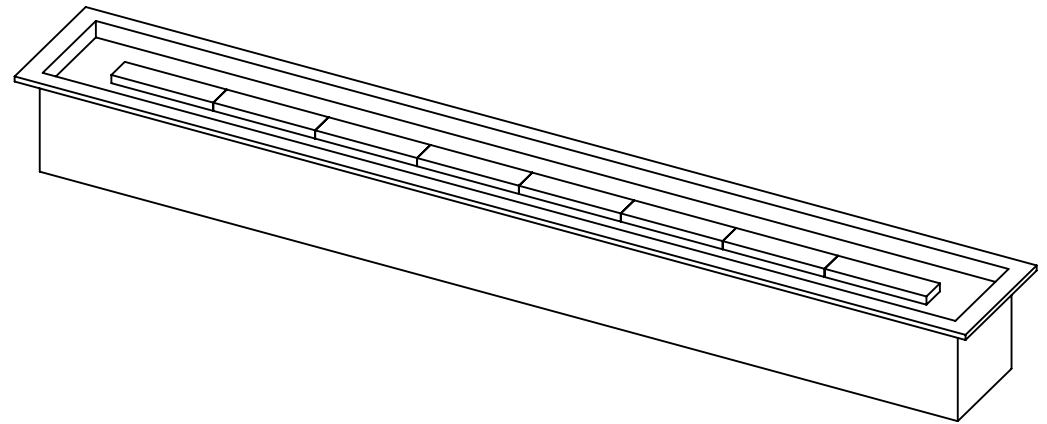
### BURNER MEDIA

Glass media

### TESTING STANDARDS

ANSI Z21.97-2017/CSA 2.41-2017

† May be available, please inquire on your specific project, waiver required  
\* Option can be used when the firepit is in a protected or covered location



**CFPO-9**  
 Linear Firepit  
**Bottom Intake**

**PRELIMINARY  
 DRAWING ONLY** 

<b>EXAMPLE CONFIGURATION</b>	<b>UNLESS OTHERWISE SPECIFIED</b>	<b>DATE</b>
MONTIGO COMMERCIAL FIREPLACES ARE CUSTOM BUILT FOR EACH PROJECT. THIS DRAWING IS FOR REFERENCE ONLY.  FLUE AND AIR INTAKE SIZES ARE SUBJECT TO CHANGE DEPENDING ON VENT RUN.	DIMENSIONS ARE IN INCHES TOLERANCES: FRACTIONAL $\pm 1/8"$	28/08/2020

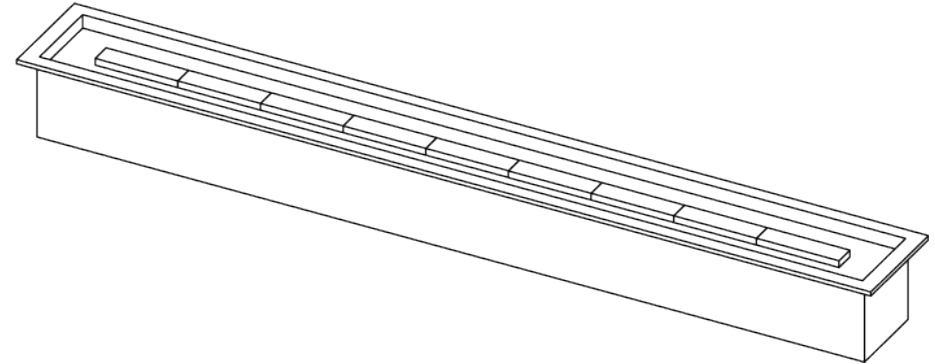
**MONTIGO**  
 the art of **fireplaces**  
 www.montigo.com



## TECHNICAL SPECIFICATION

This Montigo commercial firepit and its associated components are part of a custom engineered system. All systems are tested and certified to current ANSI Standards with CSA International US and Canada.

Please contact Montigo to confirm if your installation requirements are within the parameters of these standard specifications.



### OVERVIEW

Burner Area: 120 1/8" x 12"

### OPTIONS

Protective mesh enclosure†

Single or double protective glass†

**Note:** Unit dimensions will increase when single or double glass is requested. Please inquire as to actual size.

### TYPICAL INTAKE

Intake Size: 30" sq.in. min.

Intake Location: Bottom

### TYPICAL EXHAUST

Outdoor appliance, no dedicated vent

### GAS

Rating Input: Estimated 170,000 BTU/hr

Minimum Inlet Pressure: 5.5" w.c. Natural Gas / 11" w.c. Propane

Gas System: 1/2" NPT, Hot Surface Ignition, Smart Valve

Concealed burner with ribbon flame

### CONSTRUCTION

Stainless steel or satin galvanized (black)\*, delivered rough finished, ready to clad; supplied locally by others

### ELECTRICAL

Standalone NEMA weatherproof box with built-in on/off switch mounted within 50' -150' of firepit near 120 VAC 5 AMP exterior outlet

Box includes short whip and three prong plug

### BURNER MEDIA

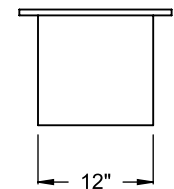
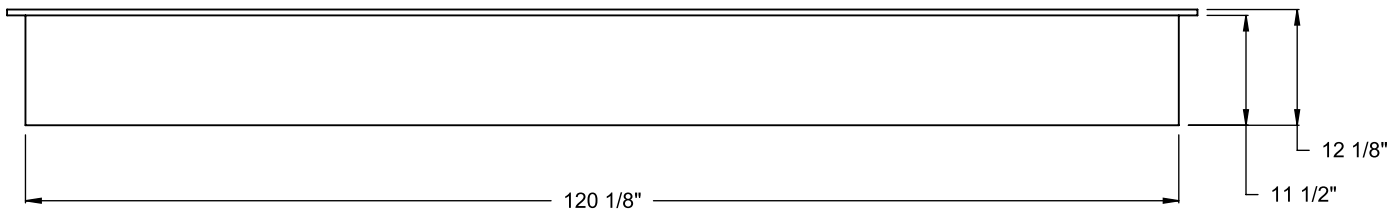
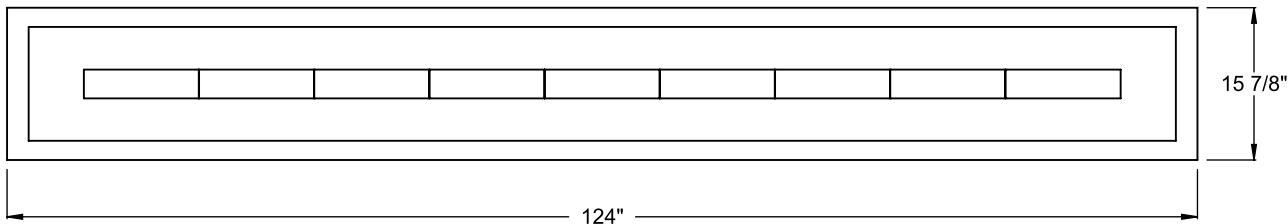
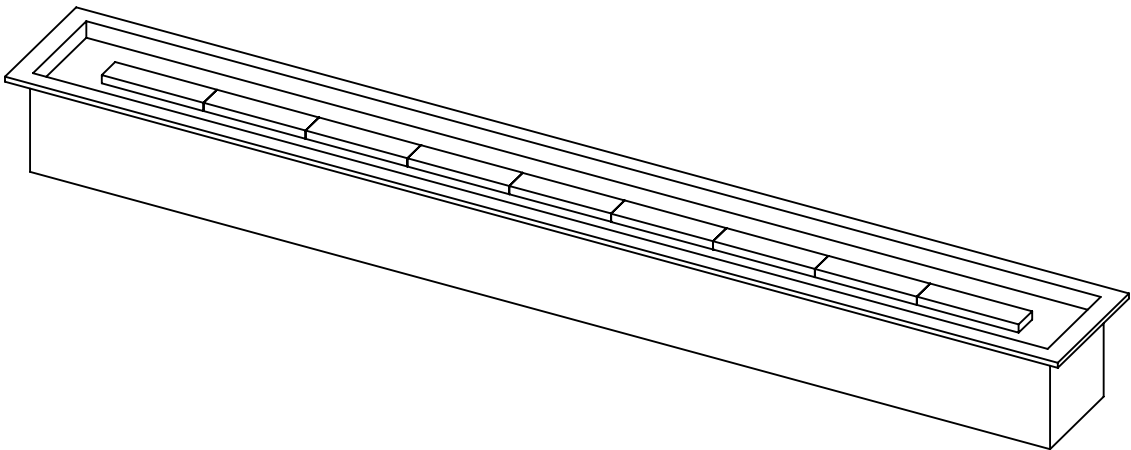
Glass media

### TESTING STANDARDS

ANSI Z21.97-2017/CSA 2.41-2017

† May be available, please inquire on your specific project, waiver required

\* Option can be used when the firepit is in a protected or covered location



**CFPO-10**  
 Linear Firepit  
**Bottom Intake**

**PRELIMINARY  
 DRAWING ONLY** 

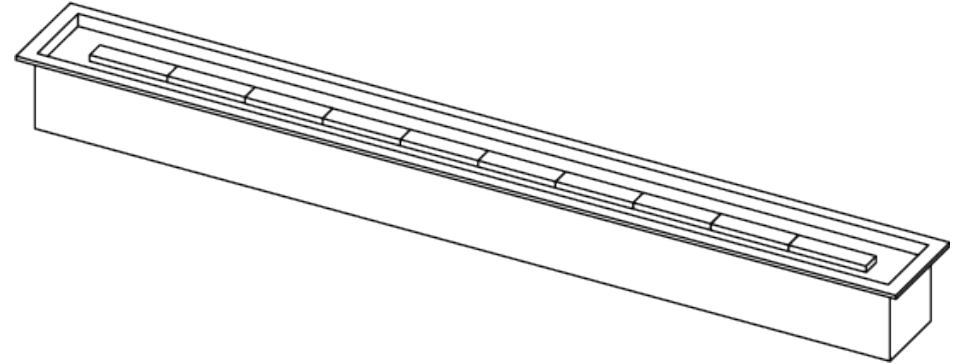
EXAMPLE CONFIGURATION	UNLESS OTHERWISE SPECIFIED	DATE
MONTIGO COMMERCIAL FIREPLACES ARE CUSTOM BUILT FOR EACH PROJECT. THIS DRAWING IS FOR REFERENCE ONLY.  FLUE AND AIR INTAKE SIZES ARE SUBJECT TO CHANGE DEPENDING ON VENT RUN.	DIMENSIONS ARE IN INCHES TOLERANCES: FRACTIONAL $\pm 1/8"$	28/08/2020

**MONTIGO**  
 the art of **fireplaces**  
[www.montigo.com](http://www.montigo.com)

## TECHNICAL SPECIFICATION

This Montigo commercial firepit and its associated components are part of a custom engineered system. All systems are tested and certified to current ANSI Standards with CSA International US and Canada.

Please contact Montigo to confirm if your installation requirements are within the parameters of these standard specifications.



### OVERVIEW

Burner Area: 132 1/8" x 12"

### OPTIONS

Protective mesh enclosure†

Single or double protective glass†

**Note:** Unit dimensions will increase when single or double glass is requested. Please inquire as to actual size.

### TYPICAL INTAKE

Intake Size: 34 1/2" sq.in. min.

Intake Location: Bottom

### TYPICAL EXHAUST

Outdoor appliance, no dedicated vent

### GAS

Rating Input: Estimated 190,000 BTU/hr

Minimum Inlet Pressure: 5.5" w.c. Natural Gas / 11" w.c. Propane

Gas System: 1/2" NPT, Hot Surface Ignition, Smart Valve

Concealed burner with ribbon flame

### CONSTRUCTION

Stainless steel or satin galvanized (black)\*, delivered rough finished, ready to clad; supplied locally by others

### ELECTRICAL

Standalone NEMA weatherproof box with built-in on/off switch mounted within 50' -150' of firepit near 120 VAC 5 AMP exterior outlet

Box includes short whip and three prong plug

### BURNER MEDIA

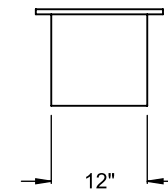
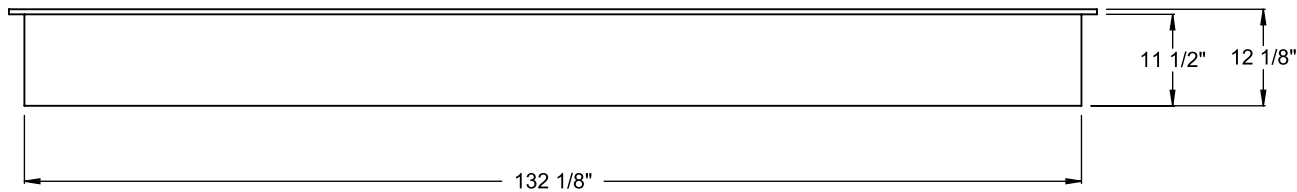
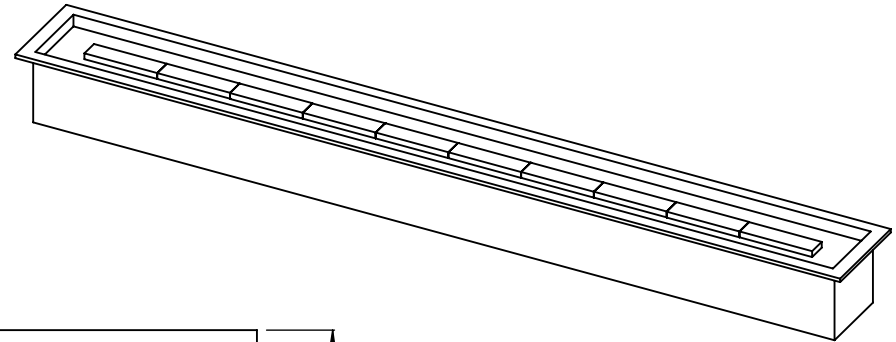
Glass media

### TESTING STANDARDS

ANSI Z21.97-2017/CSA 2.41-2017

† May be available, please inquire on your specific project, waiver required

\* Option can be used when the firepit is in a protected or covered location



**CFPO-11**  
 Linear Firepit  
**Bottom Intake**

**PRELIMINARY  
 DRAWING ONLY** 

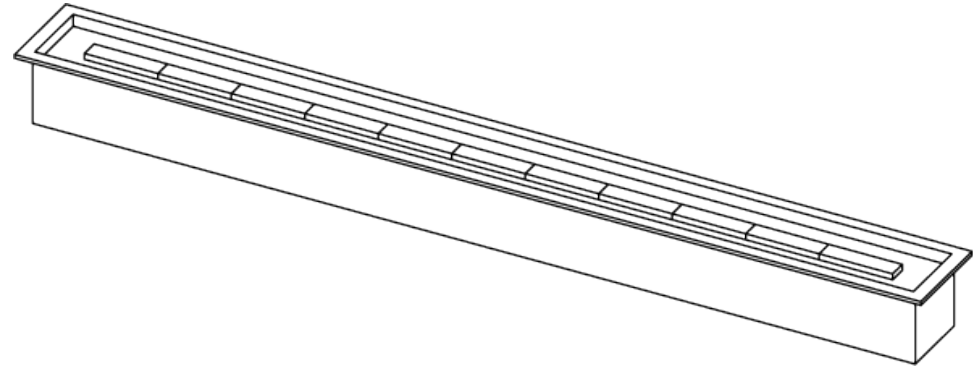
<b>EXAMPLE CONFIGURATION</b>	<b>UNLESS OTHERWISE SPECIFIED</b>	<b>DATE</b>
MONTIGO COMMERCIAL FIREPLACES ARE CUSTOM BUILT FOR EACH PROJECT. THIS DRAWING IS FOR REFERENCE ONLY.  FLUE AND AIR INTAKE SIZES ARE SUBJECT TO CHANGE DEPENDING ON VENT RUN.	DIMENSIONS ARE IN INCHES TOLERANCES: FRACTIONAL $\pm 1/8"$	28/08/2020

**MONTIGO**  
 the art of **fireplaces**  
[www.montigo.com](http://www.montigo.com)

## TECHNICAL SPECIFICATION

This Montigo commercial firepit and its associated components are part of a custom engineered system. All systems are tested and certified to current ANSI Standards with CSA International US and Canada.

Please contact Montigo to confirm if your installation requirements are within the parameters of these standard specifications.



### OVERVIEW

Burner Area: 144 1/8" x 12"

### OPTIONS

Protective mesh enclosure†

Single or double protective glass†

**Note:** Unit dimensions will increase when single or double glass is requested. Please inquire as to actual size.

### TYPICAL INTAKE

Intake Size: 38" sq.in. min.

Intake Location: Bottom

### TYPICAL EXHAUST

Outdoor appliance, no dedicated vent

### GAS

Rating Input: Estimated 210,000 BTU/hr

Minimum Inlet Pressure: 5.5" w.c. Natural Gas / 11" w.c. Propane

Gas System: 1/2" NPT, Hot Surface Ignition, Smart Valve

Concealed burner with ribbon flame

### CONSTRUCTION

Stainless steel or satin galvanized (black)\*, delivered rough finished, ready to clad; supplied locally by others

### ELECTRICAL

Standalone NEMA weatherproof box with built-in on/off switch mounted within 50' -150' of firepit near 120 VAC 5 AMP exterior outlet

Box includes short whip and three prong plug

### BURNER MEDIA

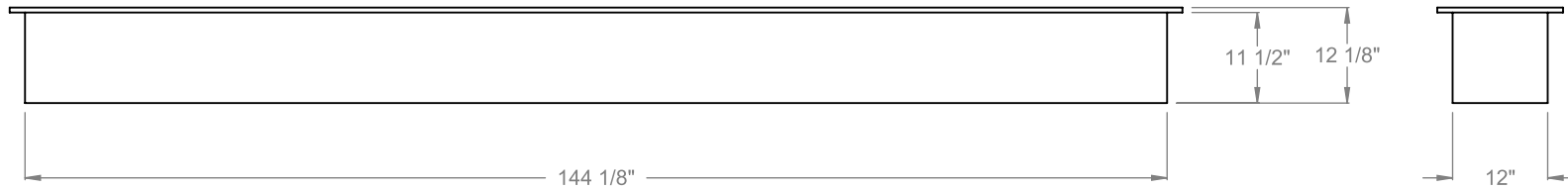
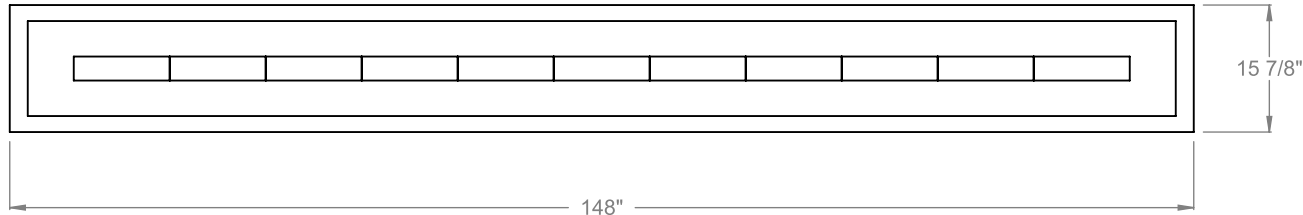
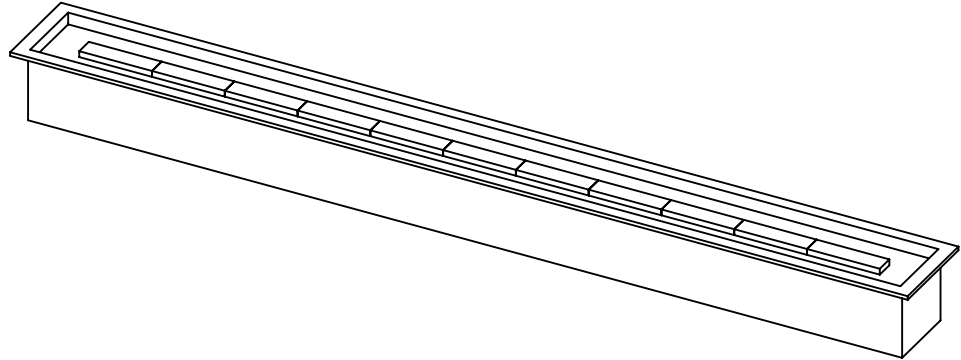
Glass media

### TESTING STANDARDS

ANSI Z21.97-2017/CSA 2.41-2017

† May be available, please inquire on your specific project, waiver required

\* Option can be used when the firepit is in a protected or covered location



**CFPO-12**  
 Linear Firepit  
**Bottom Intake**

**PRELIMINARY  
 DRAWING ONLY** 

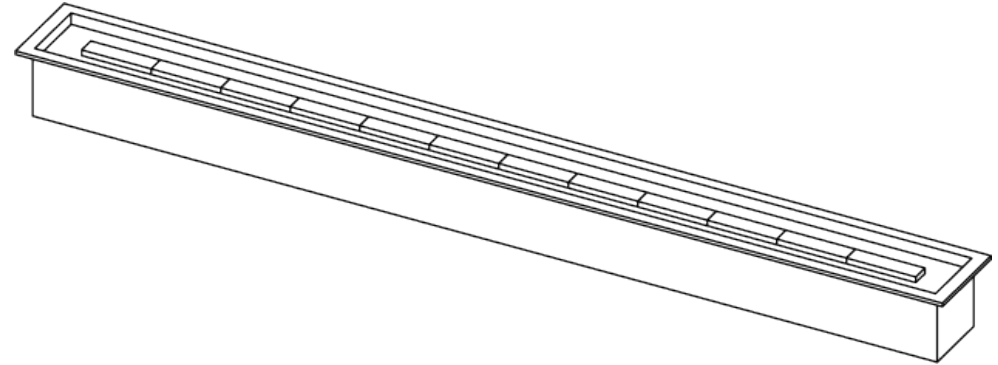
EXAMPLE CONFIGURATION	UNLESS OTHERWISE SPECIFIED	DATE
MONTIGO COMMERCIAL FIREPLACES ARE CUSTOM BUILT FOR EACH PROJECT. THIS DRAWING IS FOR REFERENCE ONLY.  FLUE AND AIR INTAKE SIZES ARE SUBJECT TO CHANGE DEPENDING ON VENT RUN.	DIMENSIONS ARE IN INCHES TOLERANCES: FRACTIONAL $\pm 1/8"$	28/08/2020

**MONTIGO**  
 the art of **fireplaces**  
 www.montigo.com

## TECHNICAL SPECIFICATION

This Montigo commercial firepit and its associated components are part of a custom engineered system. All systems are tested and certified to current ANSI Standards with CSA International US and Canada.

Please contact Montigo to confirm if your installation requirements are within the parameters of these standard specifications.



### OVERVIEW

Burner Area: 156 1/8" x 12"

### OPTIONS

Protective mesh enclosure†

Single or double protective glass†

**Note:** Unit dimensions will increase when single or double glass is requested. Please inquire as to actual size.

### TYPICAL INTAKE

Intake Size: 41 1/2" sq.in. min.

Intake Location: Bottom

### TYPICAL EXHAUST

Outdoor appliance, no dedicated vent

### GAS

Rating Input: Estimated 230,000 BTU/hr

Minimum Inlet Pressure: 5.5" w.c. Natural Gas / 11" w.c. Propane

Gas System: 1/2" NPT, Hot Surface Ignition, Smart Valve

Concealed burner with ribbon flame

### CONSTRUCTION

Stainless steel or satin galvanized (black)\*, delivered rough finished, ready to clad; supplied locally by others

### ELECTRICAL

Standalone NEMA weatherproof box with built-in on/off switch mounted within 50' -150' of firepit near 120 VAC 5 AMP exterior outlet

Box includes short whip and three prong plug

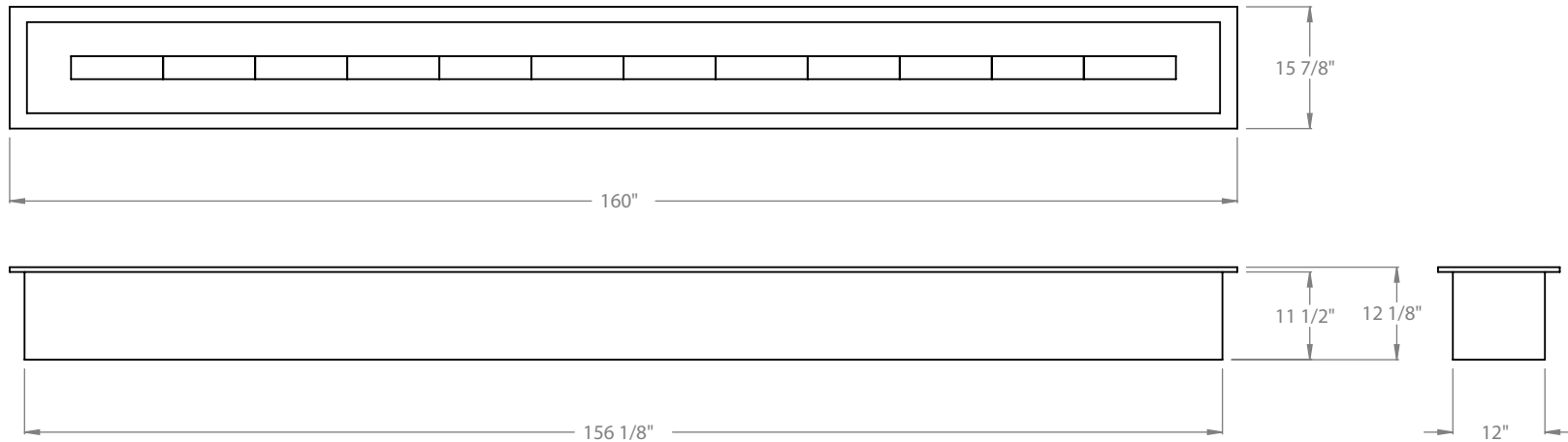
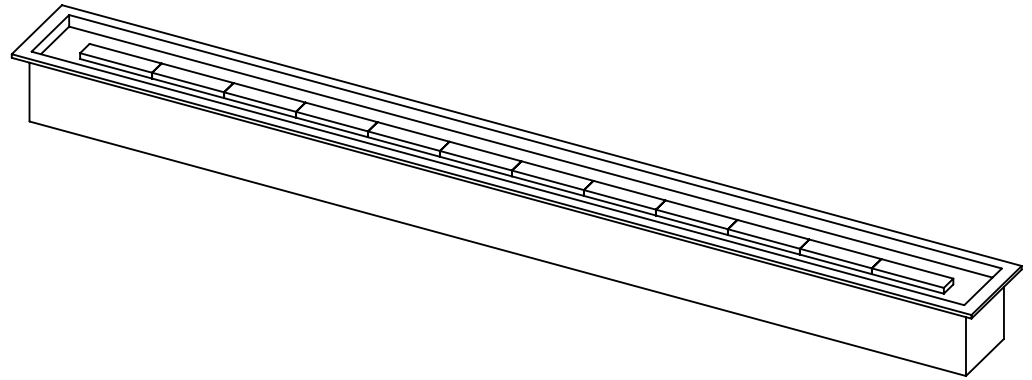
### BURNER MEDIA

Glass media

### TESTING STANDARDS

ANSI Z21.97-2017/CSA 2.41-2017

† May be available, please inquire on your specific project, waiver required  
\* Option can be used when the firepit is in a protected or covered location



**CFPO-13**  
 Linear Firepit  
**Bottom Intake**

**PRELIMINARY  
 DRAWING ONLY** 

<b>EXAMPLE CONFIGURATION</b>	<b>UNLESS OTHERWISE SPECIFIED</b>	<b>DATE</b>
MONTIGO COMMERCIAL FIREPLACES ARE CUSTOM BUILT FOR EACH PROJECT. THIS DRAWING IS FOR REFERENCE ONLY.  FLUE AND AIR INTAKE SIZES ARE SUBJECT TO CHANGE DEPENDING ON VENT RUN.	DIMENSIONS ARE IN INCHES TOLERANCES: FRACTIONAL $\pm 1/8"$	28/08/2020

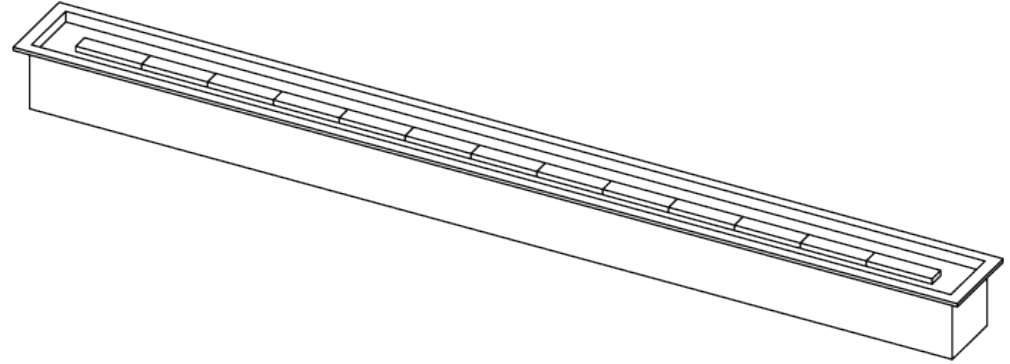
**MONTIGO**  
 the art of **fireplaces**  
[www.montigo.com](http://www.montigo.com)



## TECHNICAL SPECIFICATION

This Montigo commercial firepit and its associated components are part of a custom engineered system. All systems are tested and certified to current ANSI Standards with CSA International US and Canada.

Please contact Montigo to confirm if your installation requirements are within the parameters of these standard specifications.



### OVERVIEW

Burner Area: 168 1/8" x 12"

### OPTIONS

Protective mesh enclosure†

Single or double protective glass†

**Note:** Unit dimensions will increase when single or double glass is requested. Please inquire as to actual size.

### TYPICAL INTAKE

Intake Size: 44 1/2" sq.in. min.

Intake Location: Bottom

### TYPICAL EXHAUST

Outdoor appliance, no dedicated vent

### GAS

Rating Input: Estimated 250,000 BTU/hr

Minimum Inlet Pressure: 5.5" w.c. Natural Gas / 11" w.c. Propane

Gas System: 1/2" NPT, Hot Surface Ignition, Smart Valve

Concealed burner with ribbon flame

### CONSTRUCTION

Stainless steel or satin galvanized (black)\*, delivered rough finished, ready to clad; supplied locally by others

### ELECTRICAL

Standalone NEMA weatherproof box with built-in on/off switch mounted within 50' -150' of firepit near 120 VAC 5 AMP exterior outlet

Box includes short whip and three prong plug

### BURNER MEDIA

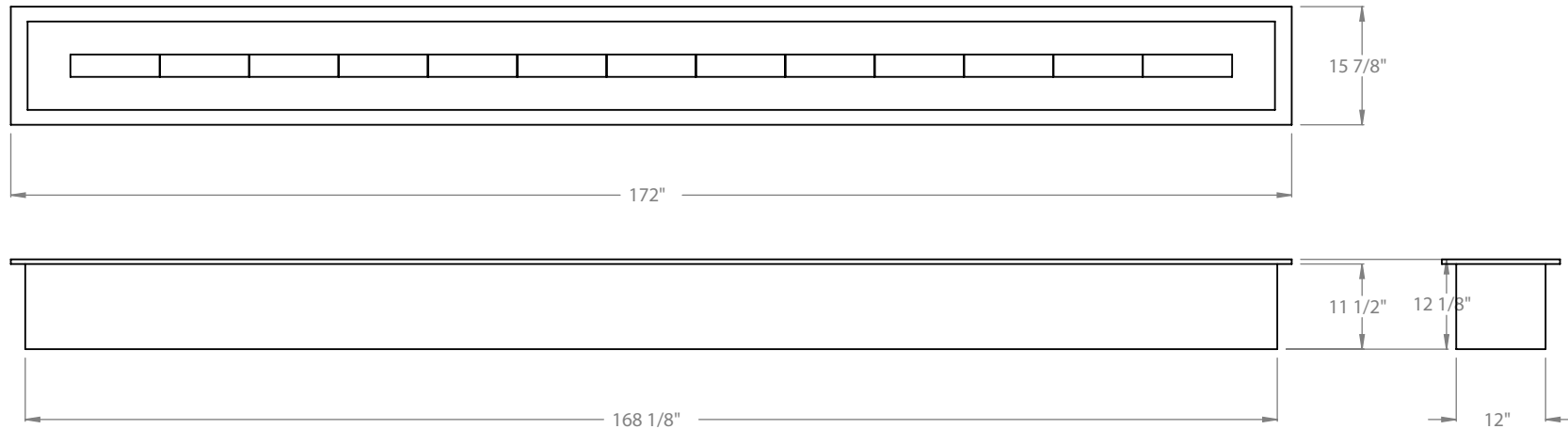
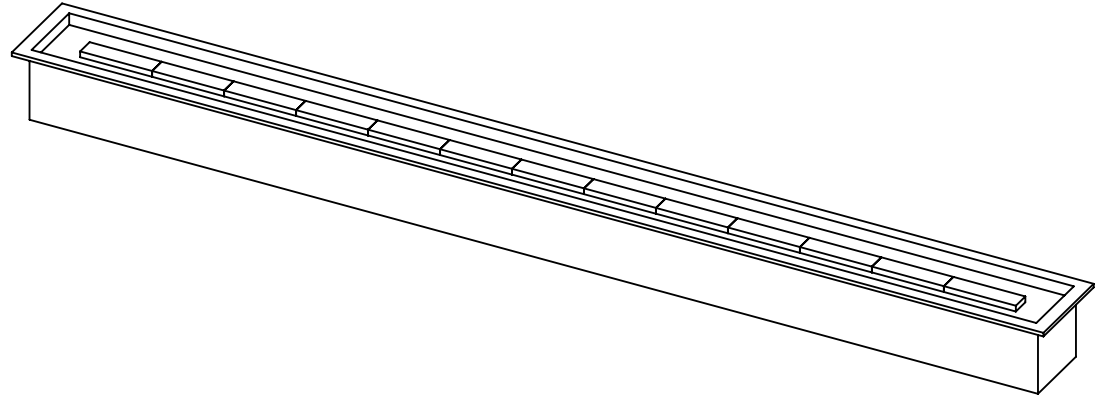
Glass media

### TESTING STANDARDS

ANSI Z21.97-2017/CSA 2.41-2017

† May be available, please inquire on your specific project, waiver required

\* Option can be used when the firepit is in a protected or covered location



**CFPO-14**  
 Linear Firepit  
**Bottom Intake**

**PRELIMINARY  
 DRAWING ONLY** 

<b>EXAMPLE CONFIGURATION</b>	<b>UNLESS OTHERWISE SPECIFIED</b>	<b>DATE</b>
MONTIGO COMMERCIAL FIREPLACES ARE CUSTOM BUILT FOR EACH PROJECT. THIS DRAWING IS FOR REFERENCE ONLY.  FLUE AND AIR INTAKE SIZES ARE SUBJECT TO CHANGE DEPENDING ON VENT RUN.	DIMENSIONS ARE IN INCHES TOLERANCES: FRACTIONAL $\pm 1/8"$	28/08/2020

**MONTIGO**  
 the art of **fireplaces**  
[www.montigo.com](http://www.montigo.com)