

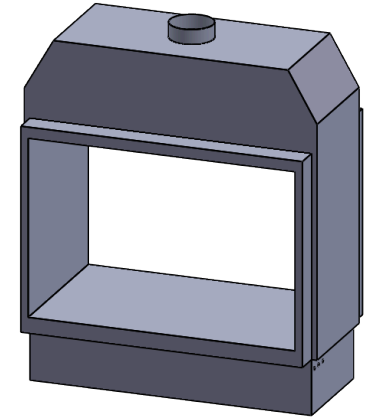
MONTIGO® BF72ST BF Series See Through

TECHNICAL SPECIFICATION

This Montigo commercial fireplace and its associated components are part of a custom engineered system.

This system is available with COOL-Pack or Power COOL-Pack cool-touch glass technology, which is ideal for public use applications and residential common or entertaining areas. All systems are power vented with multiple options available and are tested and certified to current ANSI Standards with CSA International US and Canada.

All Montigo commercial fireplace systems are highly customizable. Please contact Montigo to confirm if your installation requirements are within the parameters of these standard specifications.



GLASS **GLASS DIMENSIONS CAN BE CUSTOMIZED**

Glass Width: 72"

Glass Height: 48"

Glass Type: 5 mm or 6 mm thick tempered glass (standard)
8 mm tempered glass available (optional)

Laminated safety glass standard on units > 96" tall

No Glass: Open units are available

GLASS TEMPERATURE

COOL-Pack < 172°F†

Power COOL-Pack Up to a 60°F reduction†

TYPICAL INTAKE

Intake Size: 2 x 12" / 226 sq.in. min.

Intake Location: Bottom, front, rear, side, top

Intake Damper: Optional, tied into control system

TYPICAL EXHAUST

Power Vent: Montigo roof mount, wall mount, flush wall mount, or inline power vent, sized to specific system

Flue Size: 12" / 113 sq.in. min. type B vent, any manufacturer UL/ULC certified, may need to be upsized to specific system

Flue Damper: Optional flue damper, built into power vent or inline tied into control system

GAS

Rating Input: Estimated 175,000 BTU/hr

Minimum Inlet Pressure: 5.5" w.c. Natural Gas / 11" w.c. Propane

Gas System: ½" NPT, Hot Surface Ignition, Smart Valve

Raised burner with grate and ember bed

CONSTRUCTION

Satin galvanized (black) or stainless steel

CONSUMPTION SETTING

Consumption settings are rough estimates only and vary depending on vent runs, field conditions and other factors. Please contact Montigo if you require an estimated consumption for your specific project utilizing room air.

ELECTRICAL

Standalone custom control panel mounted within 150' of fireplace, 208-240 VAC w Neutral, AMP rating depends on actual spec

BURNER MEDIA

Traditional logset

OPTIONS

Downlighting, lighting remote control, black reflective glass, decorative liners, masonry mesh

TESTING STANDARDS

ANSI Z21.50/ CSA 2.22-2016, ANSI Z21.97/ CSA 2.41-2017

† Actual glass temperature will vary based on BTU, vent run configuration, fireplace size, utilized media and panels, ambient temperature and other factors
‡ Inquire on your specific project

MONTIGO® Finishing a Commercial Fireplace Facings

BF Series

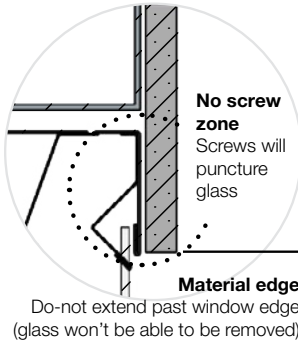
This guide applies to the following BF configurations:
Single Sided, See Through.

SURFACE TEMPERATURES NOTE

Expect surface temperatures on body of fireplace to be approximately 200°-240°F on BF units.
Temperature will vary with size of unit, vent run, and ambient temperature.

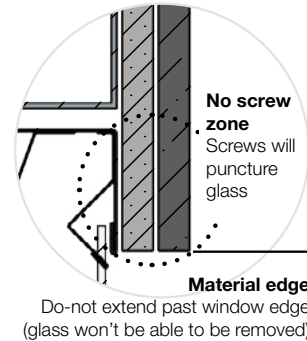
PAINTED FINISH

For a painted finish please ensure proper surface preparation is done prior to painting, including a high temperature joint compound and tape.



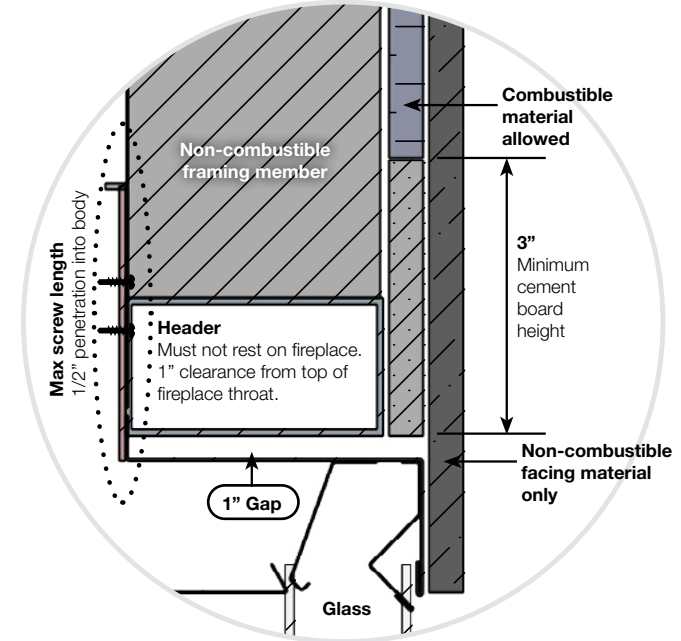
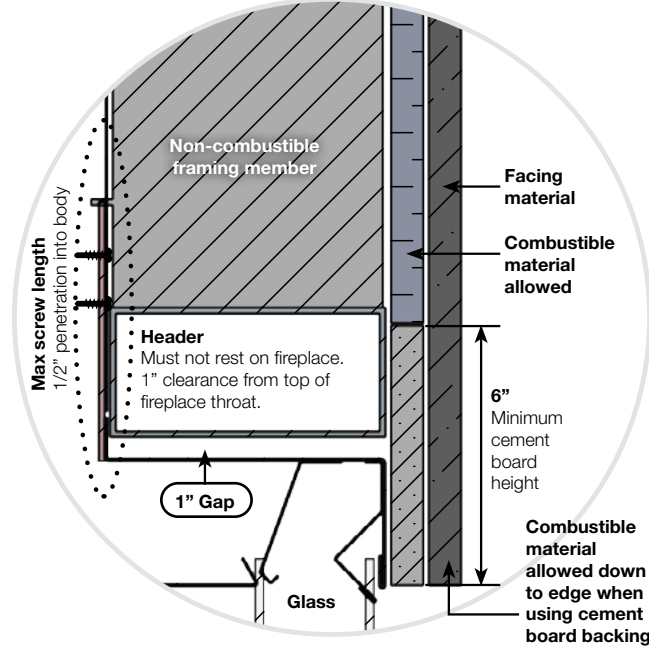
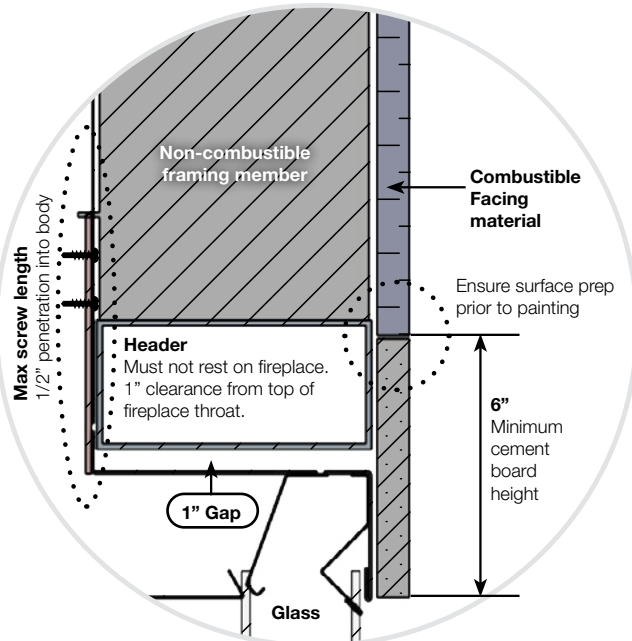
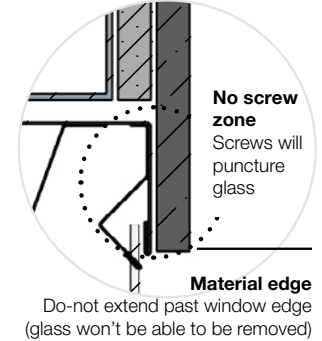
COMBUSTIBLE & NON-COMBUSTIBLE FINISHING

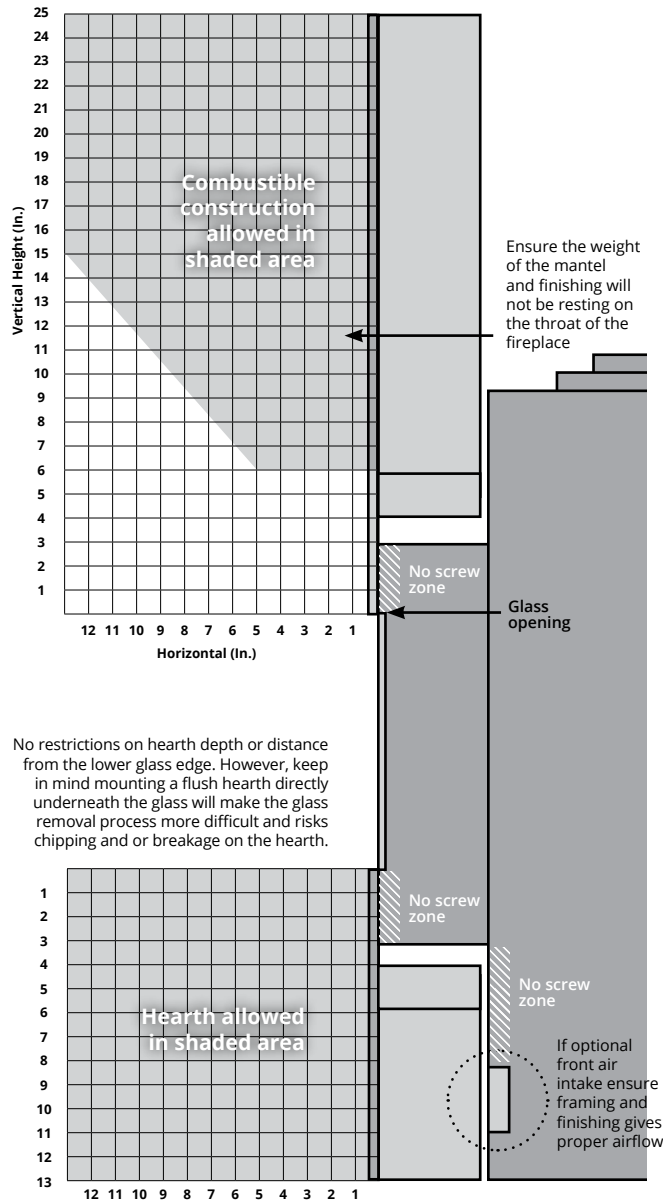
It is important that the facing material will NOT rest on the fireplace, this will cause bowing and issues removing the fireplace glass.



NON-COMBUSTIBLE FLUSH FINISH

It is important that the facing material will NOT rest on the fireplace, this will cause bowing and issues removing the fireplace glass.





BF Series

MANTELS AND SURROUNDS

Combustible mantels may safely be installed over the fireplace provided that they do not project beyond the shaded area shown.

There are no restrictions on Non-combustible mantels providing they do not project beyond the facing material edge and interfere with glass removal, and the weight of the mantel is fully supported by the framing.

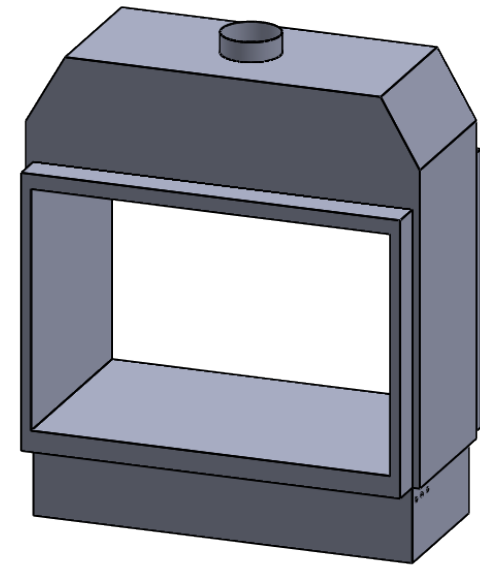
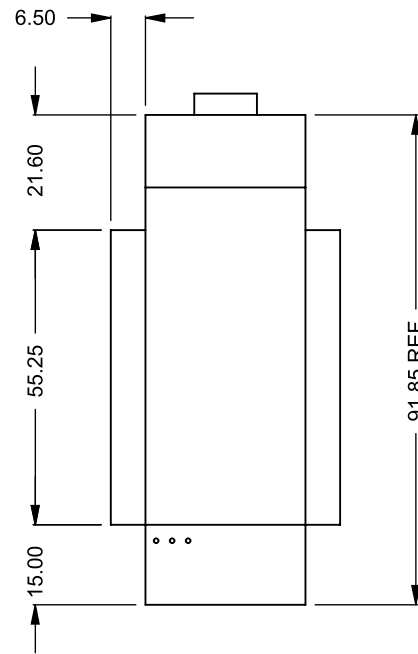
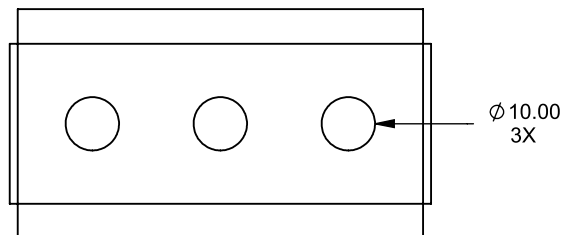
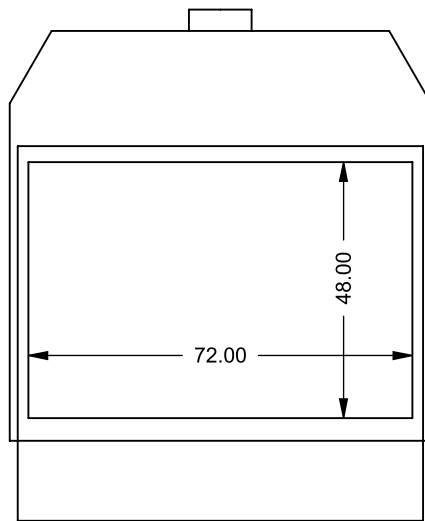
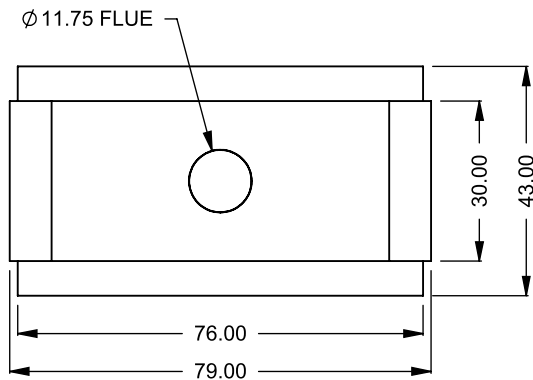
A NOTE ON MANTELS & SURROUNDS

National Canadian Gas Association mantel test requirements are for fire hazard prevention to combustible materials.

New technology, to meet consumer and government demands for the wise use of energy, has prompted us to manufacture many models of fireplaces which are hot, fuel and energy efficient.

Please be aware; temperatures over the mantel will rise above normal room temperature and walls above the fireplace may be hot to touch.

We recommend careful consideration be given to the effects of elevated mantel temperatures which may be in excess of product design, for example: candles, plastic, or pictures. This elevated heat can cause melting, deformation, discoloration or premature failure of a TV and radio components.



BF72ST
COOL-Pack / Power COOL-Pack
Bottom Intake

**PRELIMINARY
DRAWING ONLY** 

EXAMPLE CONFIGURATION

MONTIGO COMMERCIAL FIREPLACES ARE CUSTOM BUILT FOR EACH PROJECT. THIS DRAWING IS FOR REFERENCE ONLY.

FLUE AND AIR INTAKE SIZES ARE SUBJECT TO CHANGE DEPENDING ON VENT RUN.

UNLESS OTHERWISE SPECIFIED

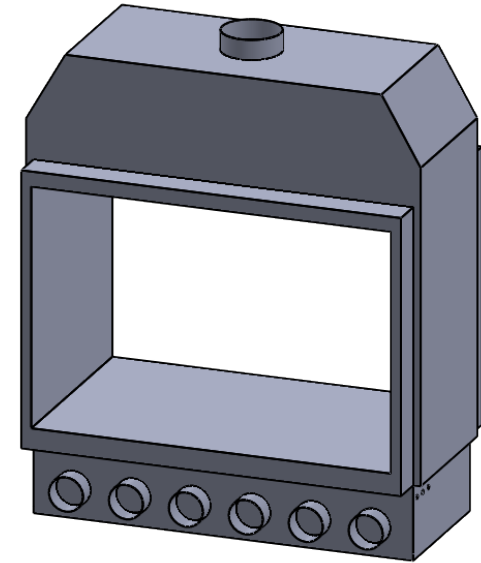
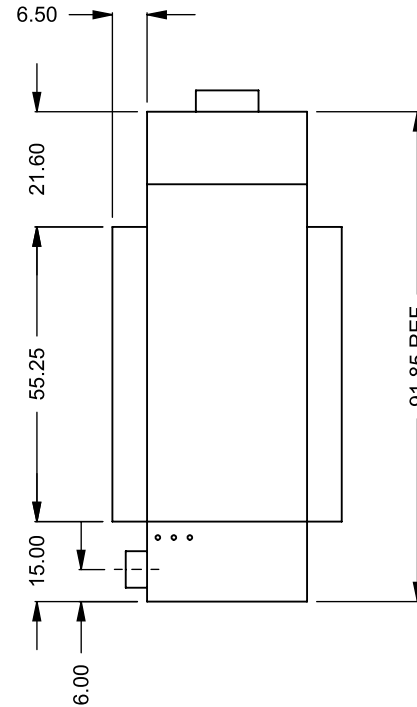
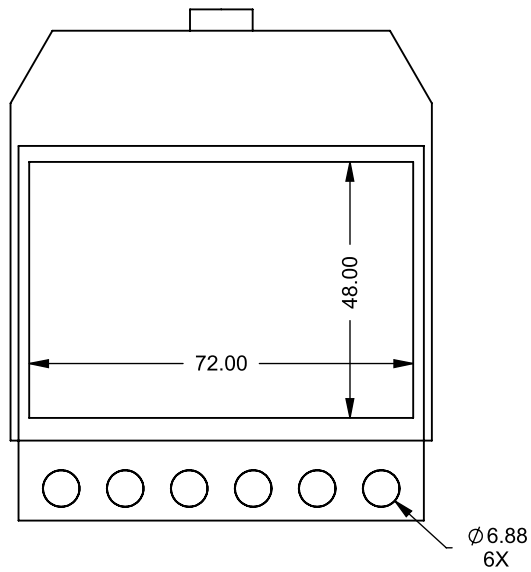
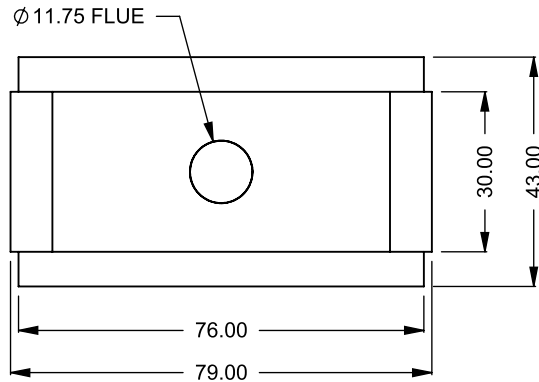
DIMENSIONS ARE IN INCHES
TOLERANCES: FRACTIONAL $\pm 1/8"$

DATE

15/10/2020

MONTIGO
the art of **fireplaces**

www.montigo.com

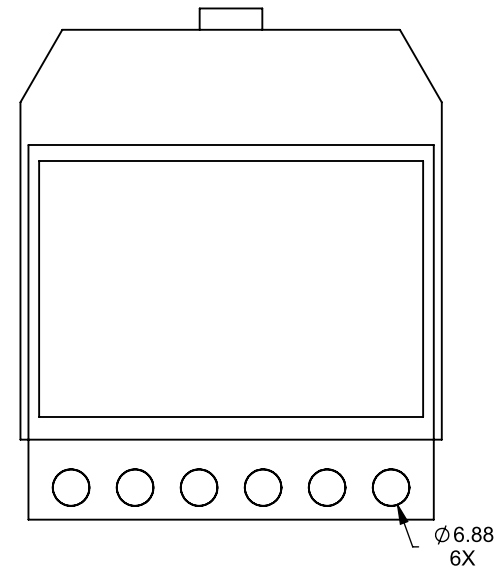
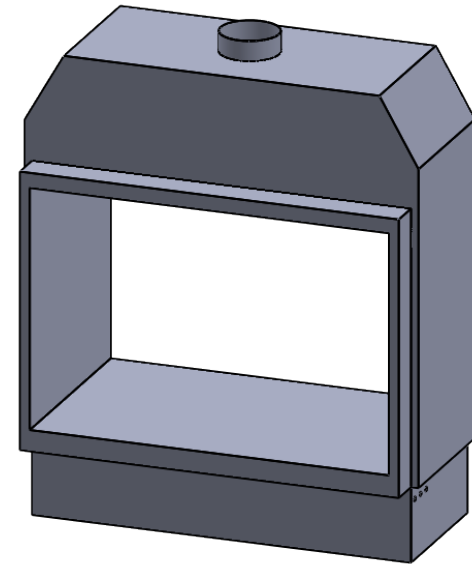
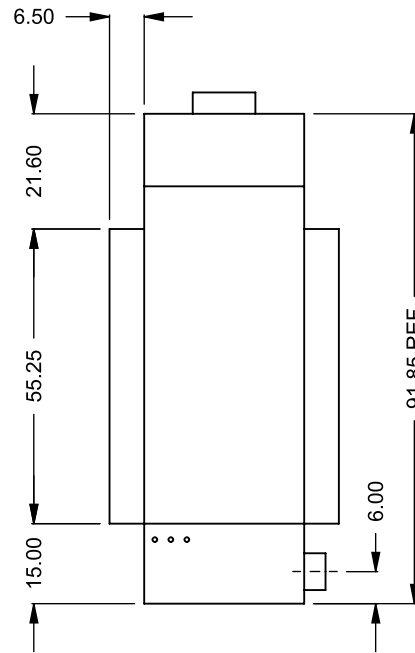
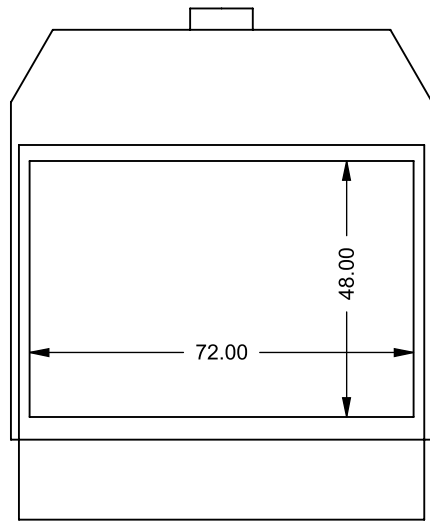
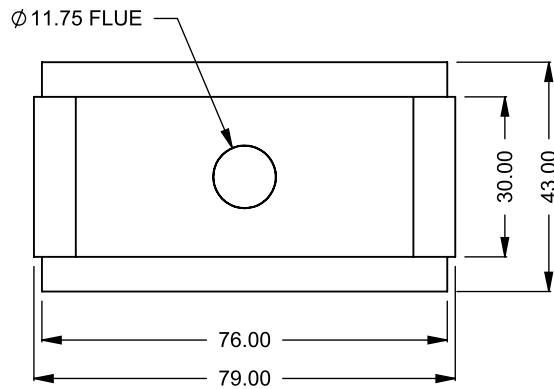


BF72ST
 COOL-Pack / Power COOL-Pack
Front Intake

**PRELIMINARY
 DRAWING ONLY** 

EXAMPLE CONFIGURATION	UNLESS OTHERWISE SPECIFIED	DATE
MONTIGO COMMERCIAL FIREPLACES ARE CUSTOM BUILT FOR EACH PROJECT. THIS DRAWING IS FOR REFERENCE ONLY. FLUE AND AIR INTAKE SIZES ARE SUBJECT TO CHANGE DEPENDING ON VENT RUN.	DIMENSIONS ARE IN INCHES TOLERANCES: FRACTIONAL $\pm 1/8"$	15/10/2020

MONTIGO
 the art of **fireplaces**
 www.montigo.com

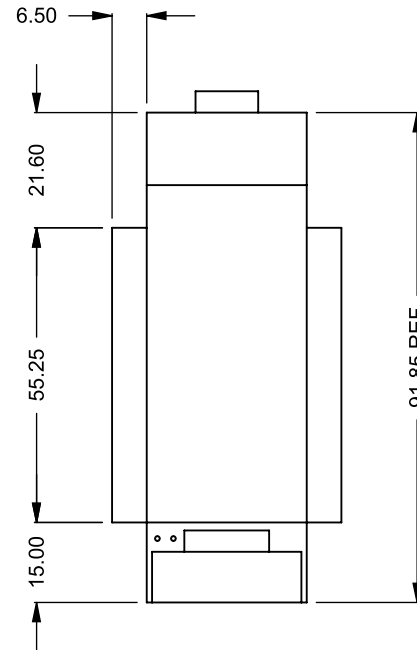
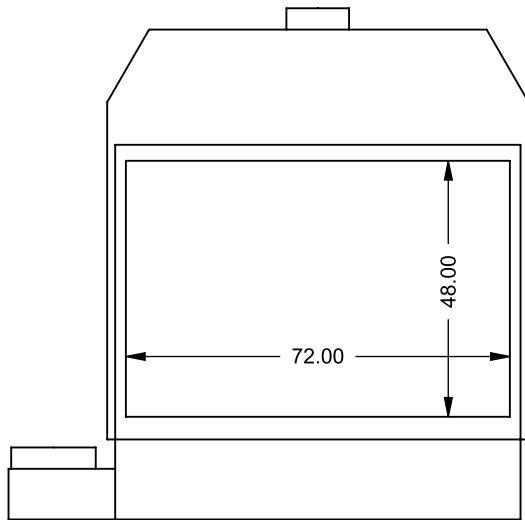
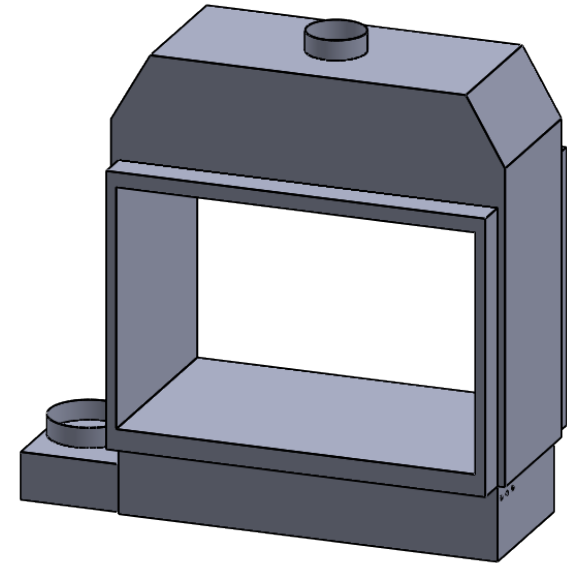
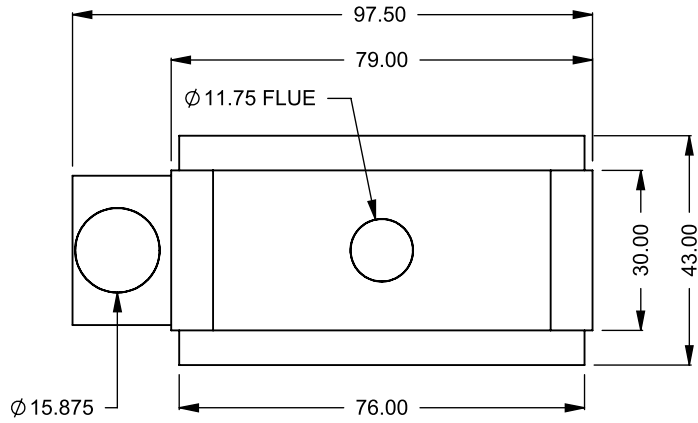


BF72ST
 COOL-Pack / Power COOL-Pack
Rear Intake

**PRELIMINARY
 DRAWING ONLY** 

EXAMPLE CONFIGURATION	UNLESS OTHERWISE SPECIFIED	DATE
MONTIGO COMMERCIAL FIREPLACES ARE CUSTOM BUILT FOR EACH PROJECT. THIS DRAWING IS FOR REFERENCE ONLY. FLUE AND AIR INTAKE SIZES ARE SUBJECT TO CHANGE DEPENDING ON VENT RUN.	DIMENSIONS ARE IN INCHES TOLERANCES: FRACTIONAL $\pm 1/8"$	15/10/2020

MONTIGO
 the art of **fireplaces**
 www.montigo.com

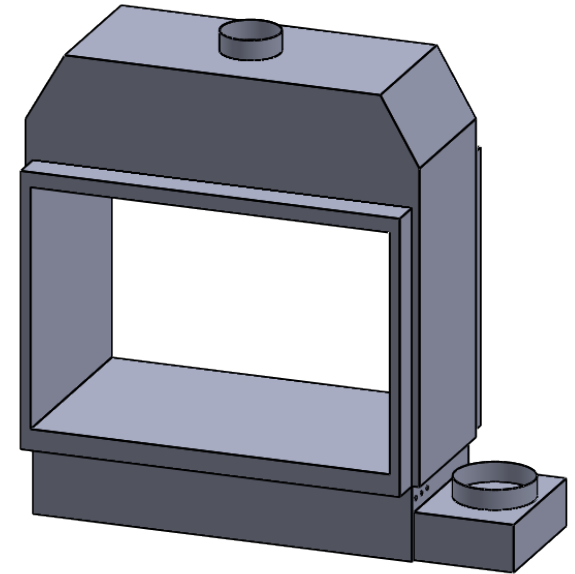
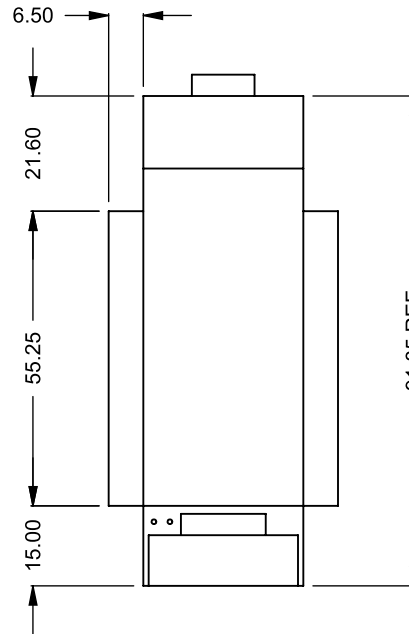
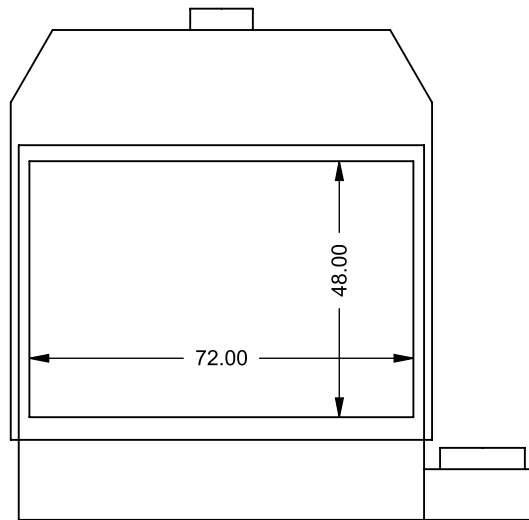
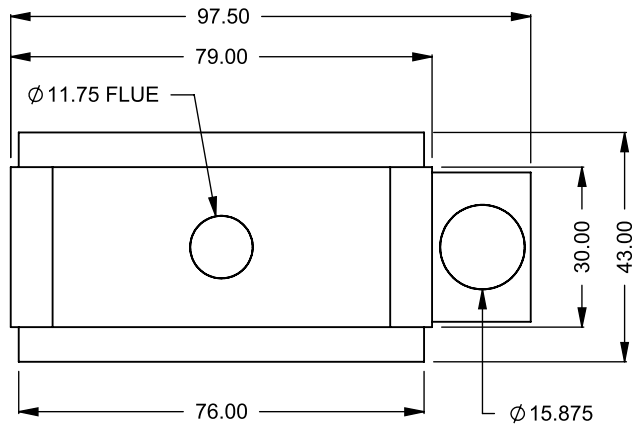


BF72ST
 COOL-Pack / Power COOL-Pack
One Side Left Intake

**PRELIMINARY
 DRAWING ONLY** 

EXAMPLE CONFIGURATION	UNLESS OTHERWISE SPECIFIED	DATE
MONTIGO COMMERCIAL FIREPLACES ARE CUSTOM BUILT FOR EACH PROJECT. THIS DRAWING IS FOR REFERENCE ONLY. FLUE AND AIR INTAKE SIZES ARE SUBJECT TO CHANGE DEPENDING ON VENT RUN.	DIMENSIONS ARE IN INCHES TOLERANCES: FRACTIONAL $\pm 1/8"$	15/10/2020

MONTIGO
 the art of **fireplaces**
 www.montigo.com

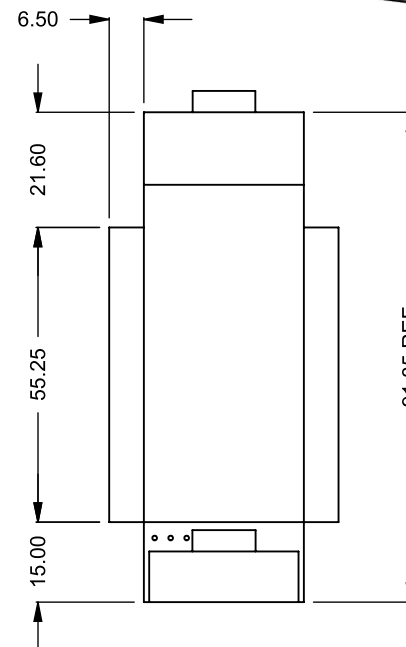
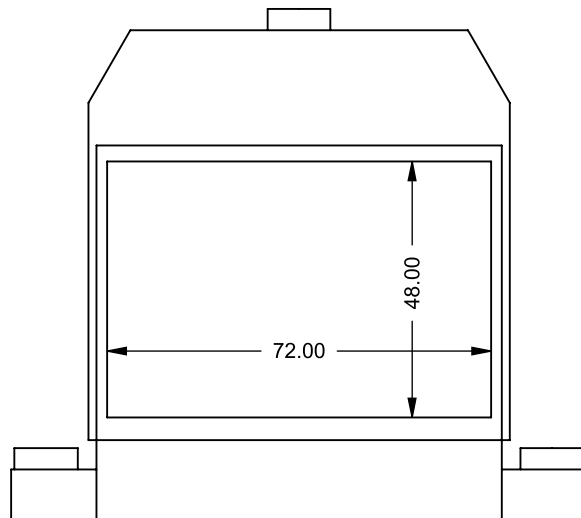
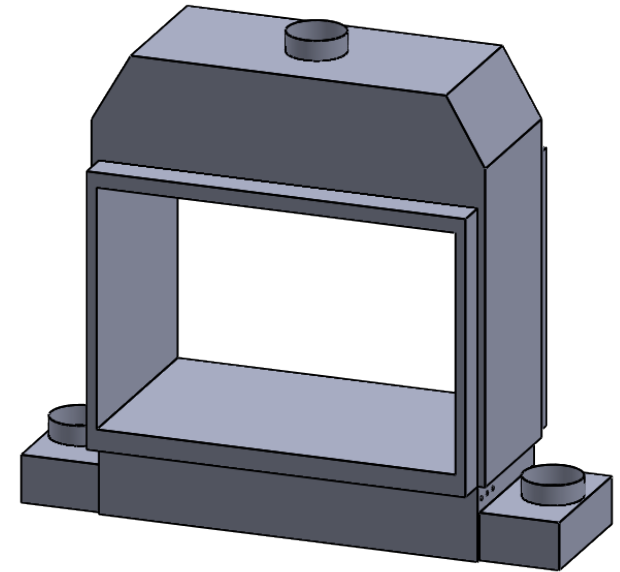
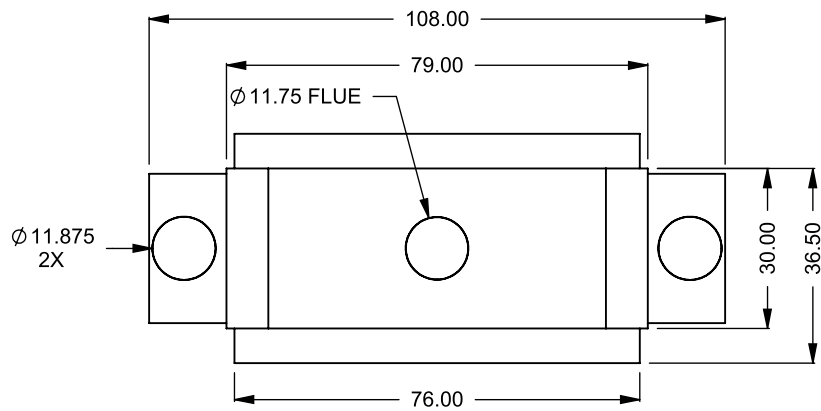


BF72ST
COOL-Pack / Power COOL-Pack
One Side Right Intake

**PRELIMINARY
DRAWING ONLY** 

EXAMPLE CONFIGURATION	UNLESS OTHERWISE SPECIFIED	DATE
<p>MONTIGO COMMERCIAL FIREPLACES ARE CUSTOM BUILT FOR EACH PROJECT. THIS DRAWING IS FOR REFERENCE ONLY.</p> <p>FLUE AND AIR INTAKE SIZES ARE SUBJECT TO CHANGE DEPENDING ON VENT RUN.</p>	<p>DIMENSIONS ARE IN INCHES TOLERANCES: FRACTIONAL ± 1/8"</p>	<p>15/10/2020</p>

MONTIGO
the art of **fireplaces**
www.montigo.com



BF72ST

COOL-Pack / Power COOL-Pack
Dual Side Intake

PRELIMINARY
DRAWING ONLY 

EXAMPLE CONFIGURATION

MONTIGO COMMERCIAL FIREPLACES ARE CUSTOM BUILT FOR EACH PROJECT. THIS DRAWING IS FOR REFERENCE ONLY.

FLUE AND AIR INTAKE SIZES ARE SUBJECT TO CHANGE DEPENDING ON VENT RUN.

UNLESS OTHERWISE SPECIFIED

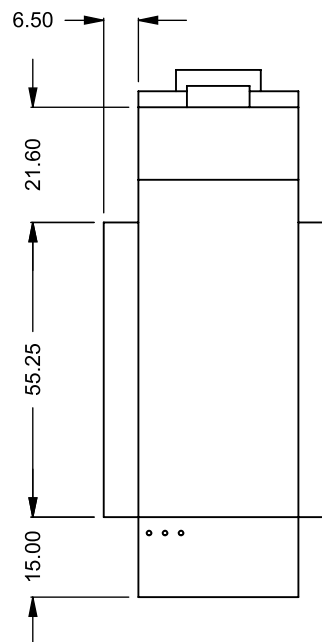
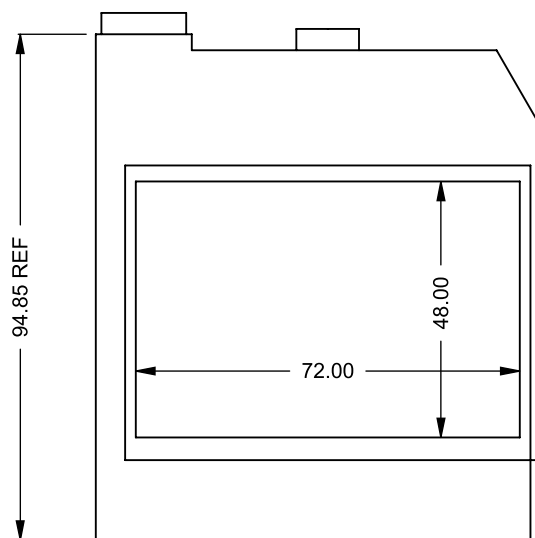
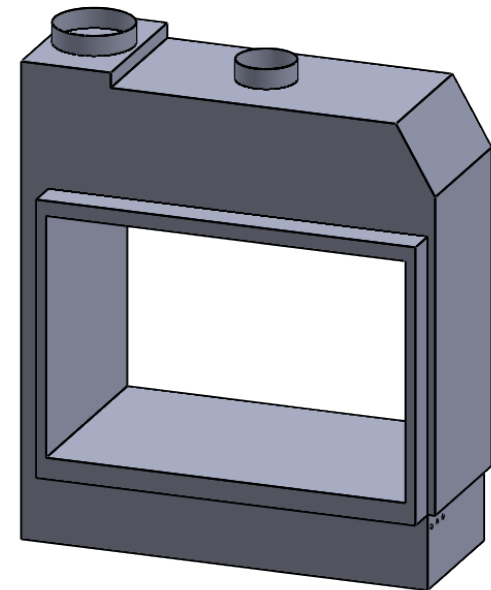
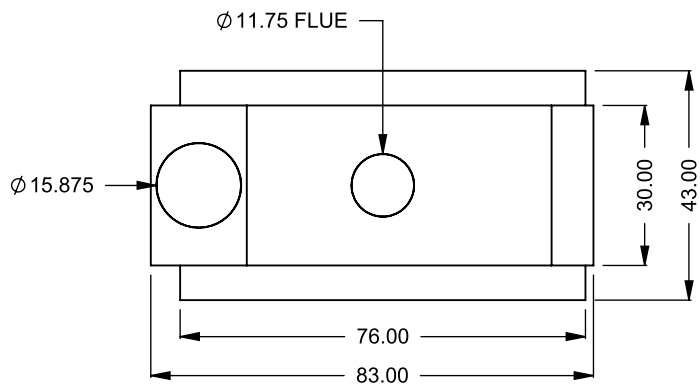
DIMENSIONS ARE IN INCHES
TOLERANCES: FRACTIONAL $\pm 1/8"$

DATE

15/10/2020

MONTIGO
the art of **fireplaces**

www.montigo.com

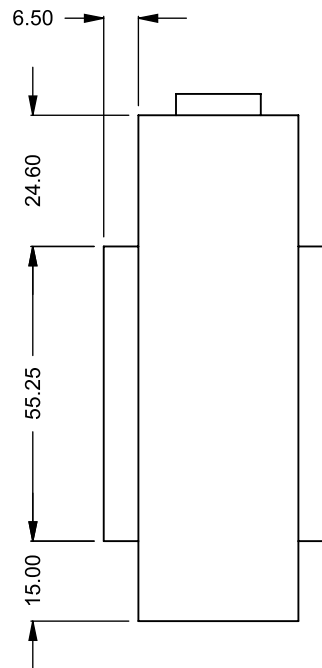
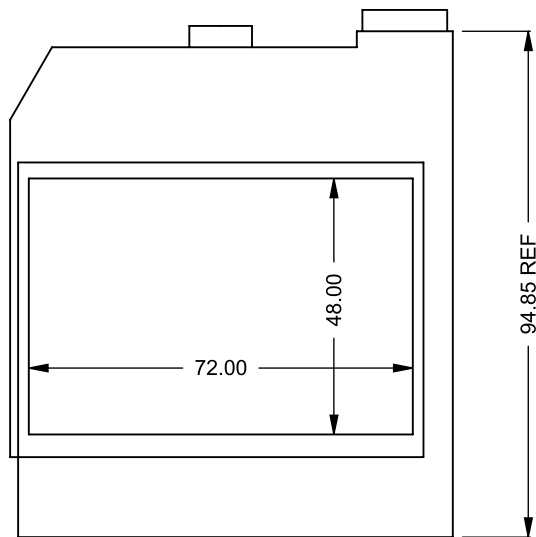
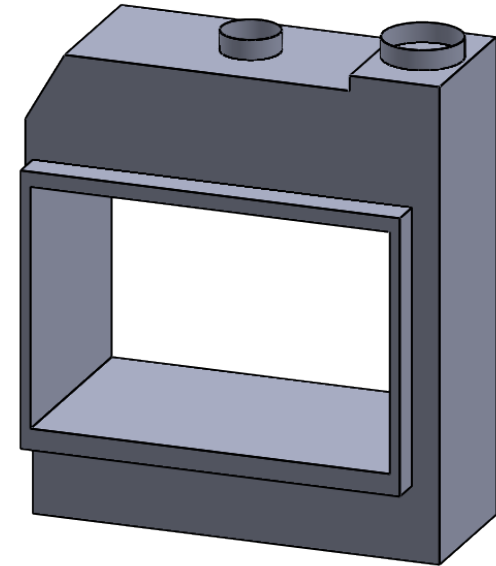
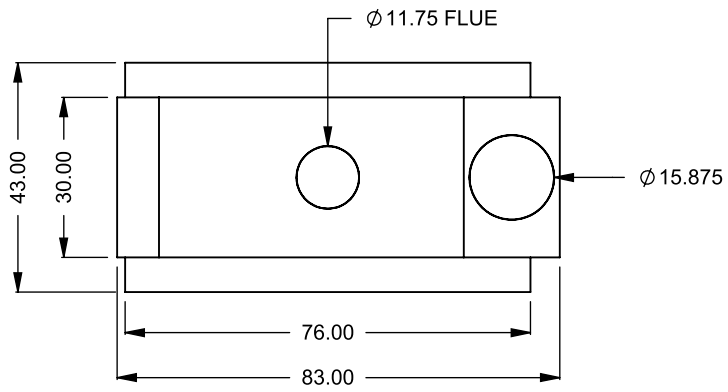


BF72ST
 COOL-Pack / Power COOL-Pack
Top One Side Left Intake

**PRELIMINARY
 DRAWING ONLY** 

EXAMPLE CONFIGURATION	UNLESS OTHERWISE SPECIFIED	DATE
MONTIGO COMMERCIAL FIREPLACES ARE CUSTOM BUILT FOR EACH PROJECT. THIS DRAWING IS FOR REFERENCE ONLY. FLUE AND AIR INTAKE SIZES ARE SUBJECT TO CHANGE DEPENDING ON VENT RUN.	DIMENSIONS ARE IN INCHES TOLERANCES: FRACTIONAL $\pm 1/8"$	15/10/2020

MONTIGO
 the art of **fireplaces**
 www.montigo.com

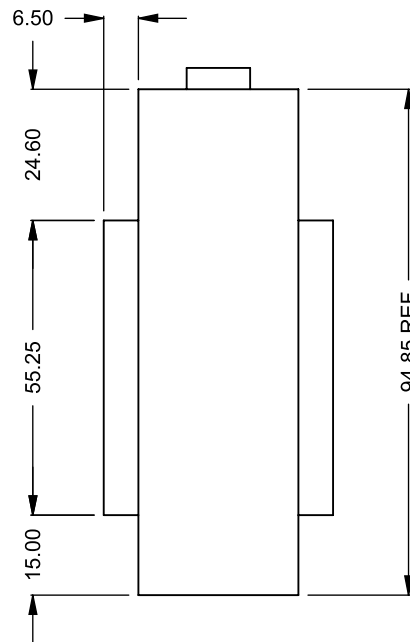
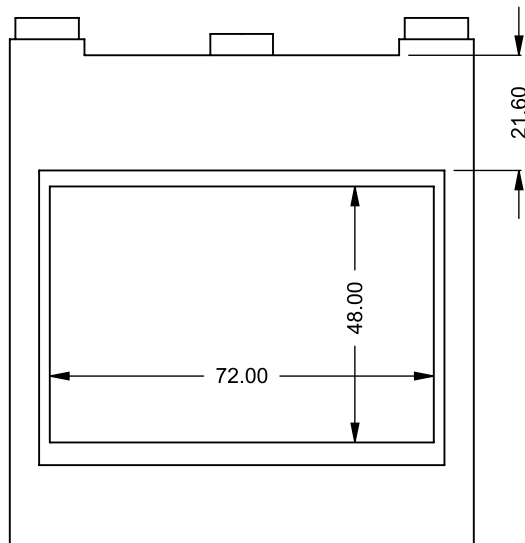
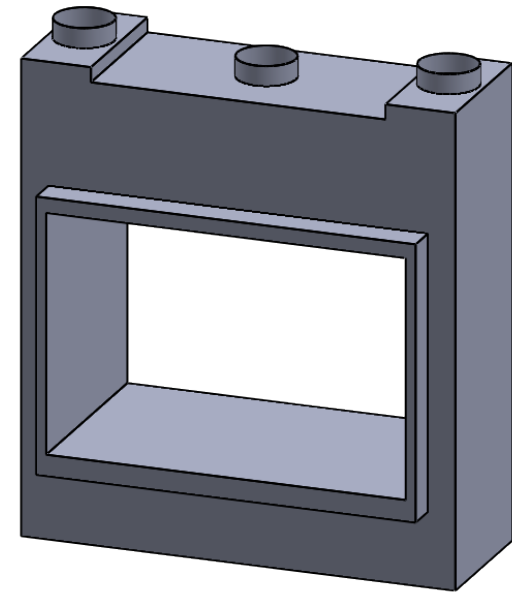
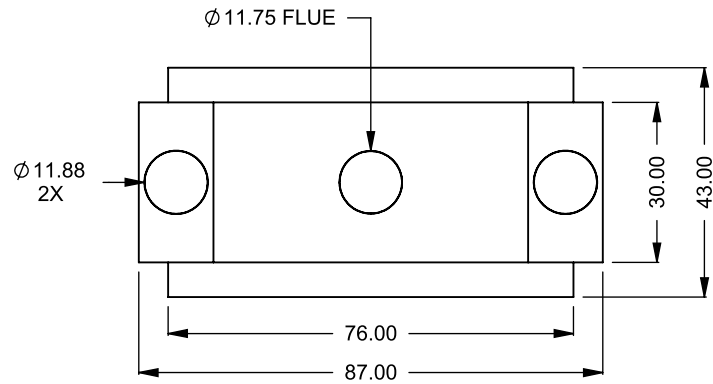


BF72ST
 COOL-Pack / Power COOL-Pack
 Top One Side Right Intake

**PRELIMINARY
 DRAWING ONLY** 

EXAMPLE CONFIGURATION	UNLESS OTHERWISE SPECIFIED	DATE
MONTIGO COMMERCIAL FIREPLACES ARE CUSTOM BUILT FOR EACH PROJECT. THIS DRAWING IS FOR REFERENCE ONLY. FLUE AND AIR INTAKE SIZES ARE SUBJECT TO CHANGE DEPENDING ON VENT RUN.	DIMENSIONS ARE IN INCHES TOLERANCES: FRACTIONAL ± 1/8"	15/10/2020

MONTIGO
 the art of fireplaces®
 www.montigo.com

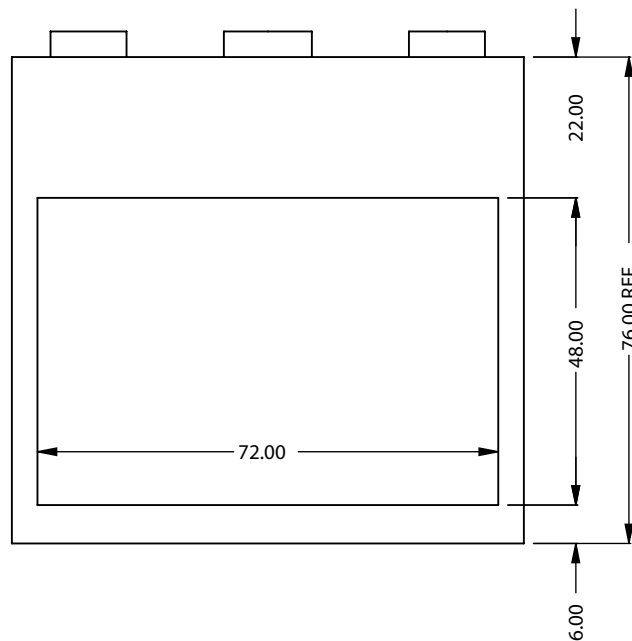
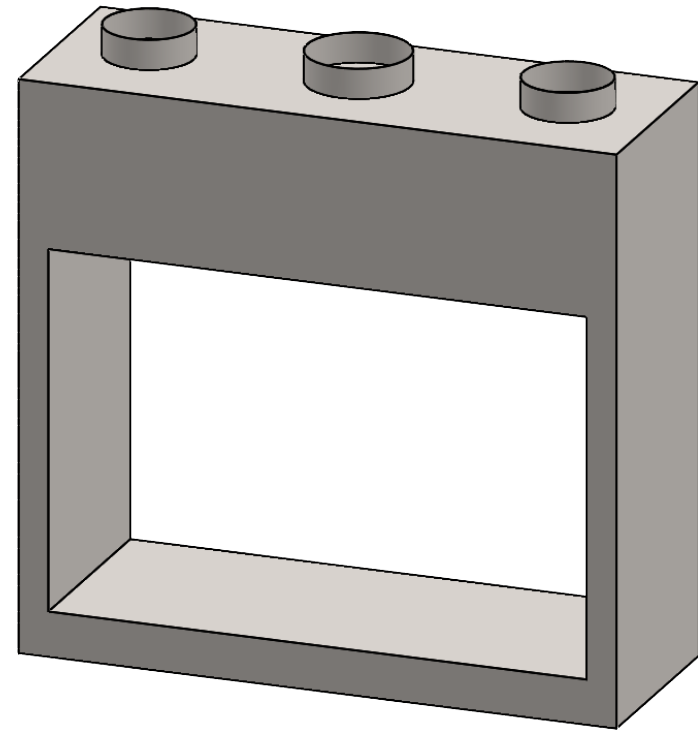
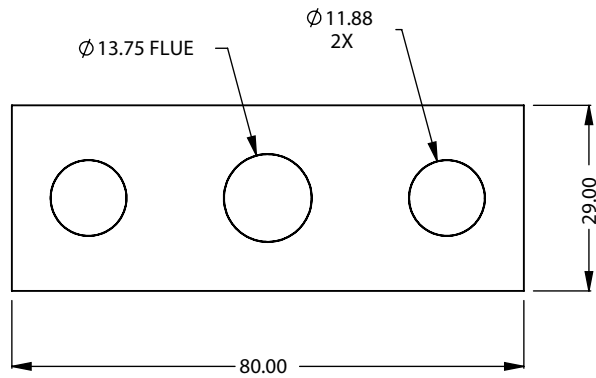


BF72ST
 COOL-Pack / Power COOL-Pack
Top Dual Side Intake

**PRELIMINARY
 DRAWING ONLY** 

EXAMPLE CONFIGURATION	UNLESS OTHERWISE SPECIFIED	DATE
MONTIGO COMMERCIAL FIREPLACES ARE CUSTOM BUILT FOR EACH PROJECT. THIS DRAWING IS FOR REFERENCE ONLY. FLUE AND AIR INTAKE SIZES ARE SUBJECT TO CHANGE DEPENDING ON VENT RUN.	DIMENSIONS ARE IN INCHES TOLERANCES: FRACTIONAL $\pm 1/8"$	15/10/2020

MONTIGO
 the art of **fireplaces**
www.montigo.com



BF72ST

Low Profile / COOL-Pack

Top Intake

**PRELIMINARY
DRAWING ONLY** 

EXAMPLE CONFIGURATION

MONTIGO COMMERCIAL FIREPLACES ARE CUSTOM BUILT FOR EACH PROJECT. THIS DRAWING IS FOR REFERENCE ONLY.

FLUE AND AIR INTAKE SIZES ARE SUBJECT TO CHANGE DEPENDING ON VENT RUN.

UNLESS OTHERWISE SPECIFIED

DIMENSIONS ARE IN INCHES
TOLERANCES: FRACTIONAL $\pm 1/8"$

DATE

14/2/2023

MONTIGO
the art of **fireplaces**

www.montigo.com