



DIVINE / PROUDLY HANDCRAFTED IN NORTH AMERICA

**DIVINE**  
MULTI SIDED

## A NEW DIMENSION

**H38FSD**  
**H42FSD**

SEE THROUGH  
DIRECT VENT

### QUICK DIMENSIONS

	H38FSD*		H42FSD*	
	UNIT	FRAM.	UNIT	FRAM.
F.WIDTH	39 <sup>5</sup> / <sub>16</sub>	40 <sup>3</sup> / <sub>4</sub>	43 <sup>5</sup> / <sub>16</sub>	45
B.WIDTH	39 <sup>5</sup> / <sub>16</sub>	40 <sup>3</sup> / <sub>4</sub>	43 <sup>5</sup> / <sub>16</sub>	45
HEIGHT	40 <sup>9</sup> / <sub>16</sub>	42 <sup>1</sup> / <sub>2</sub>	44 <sup>3</sup> / <sub>8</sub>	49 <sup>1</sup> / <sub>2</sub>
DEPTH	24 <sup>1</sup> / <sub>2</sub>	23 <sup>3</sup> / <sub>4</sub>	24 <sup>1</sup> / <sub>2</sub>	24
VIEWING	35 <sup>1</sup> / <sub>4</sub> x 26 <sup>3</sup> / <sub>8</sub>		39 <sup>3</sup> / <sub>8</sub> x 30 <sup>3</sup> / <sub>8</sub>	

#### DIVINE FSD TRADITIONAL

##### Standard

Traditional burner and logset

Heritage brick liner

Wrought iron grate

Manual Hi-Lo flame control

##### Options

Multi-function remote control

Wall remote

Battery backup

Fans

Surrounds in satin black or stainless steel

WiFi phone app control

#### DIVINE FSD CONTEMPORARY KIT

##### Standard

Contemporary burner

Manual Hi-Lo flame control

##### Options

Glass media

Multi-function remote control

Wall remote

Battery backup

Fans

Surrounds in satin black or stainless steel

WiFi phone app control

### BTU LISTING

**H38FSDN** / 34,000  
**H38FSDNI** / 34,000  
**H38FSDL** / 32,000  
**H38FSDLI** / 32,000

**H42FSDN** / 37,000  
**H42FSDNI** / 37,000  
**H42FSDL** / 37,000  
**H42FSDLI** / 37,000

### EFFICIENCY (FE)

**H38FSDN** / 57.5%  
**H38FSDNI** / 58.5%  
**H38FSDL** / 57.5%  
**H38FSDLI** / 58.5%

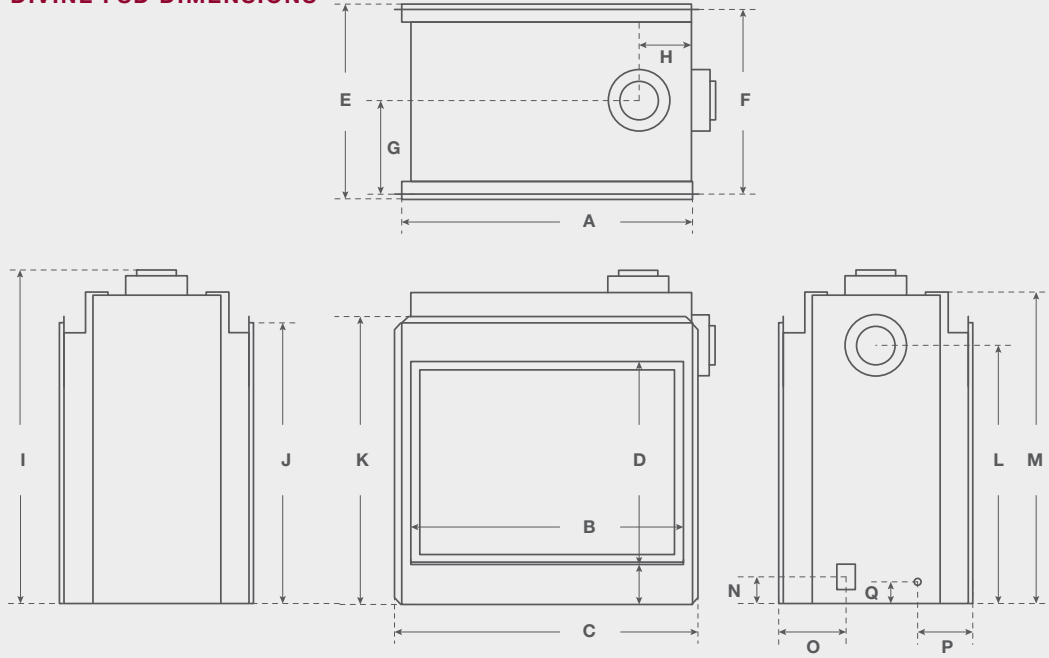
**H42FSDN** / 66%  
**H42FSDNI** / 68.3%  
**H42FSDL** / 66%  
**H42FSDLI** / 68.3%



MONTIGO / STAINLESS SURROUND

MONTIGO / SATIN BLACK SURROUND

**DIVINE FSD DIMENSIONS**



	A	B	C	D	E	F	G	H	I	J	K	L	M	N	O	P	Q
H38FSD	37 <sup>3</sup> / <sub>4</sub>	35 <sup>1</sup> / <sub>4</sub>	39 <sup>5</sup> / <sub>16</sub>	26 <sup>3</sup> / <sub>16</sub>	24 <sup>1</sup> / <sub>2</sub>	24	12	6 <sup>7</sup> / <sub>16</sub>	43 <sup>3</sup> / <sub>16</sub>	36 <sup>1</sup> / <sub>2</sub>	37 <sup>5</sup> / <sub>16</sub>	33 <sup>3</sup> / <sub>16</sub>	40 <sup>9</sup> / <sub>16</sub>	3 <sup>3</sup> / <sub>8</sub>	8 <sup>3</sup> / <sub>8</sub>	7 <sup>3</sup> / <sub>8</sub>	3
H42FSD	42	39 <sup>3</sup> / <sub>8</sub>	43 <sup>3</sup> / <sub>16</sub>	30 <sup>3</sup> / <sub>8</sub>	24 <sup>1</sup> / <sub>2</sub>	24	12	6 <sup>7</sup> / <sub>16</sub>	46 <sup>15</sup> / <sub>16</sub>	40 <sup>1</sup> / <sub>2</sub>	41 <sup>1</sup> / <sub>16</sub>	37 <sup>3</sup> / <sub>8</sub>	44 <sup>3</sup> / <sub>8</sub>	3 <sup>3</sup> / <sub>8</sub>	8 <sup>3</sup> / <sub>8</sub>	7 <sup>3</sup> / <sub>8</sub>	3



MONTIGO / DIVINE / H38FSDNI / TRADITIONAL LOGSET



MONTIGO / DIVINE / H42FSDNI / TRADITIONAL LOGSET



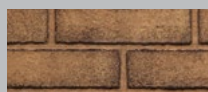
REMOTE+  
RX200\*\*



WALL REMOTE+  
EC1550



WiFi PHONE APP  
CONTROL  
SIT-WIFI!



HERITAGE<sup>A</sup>

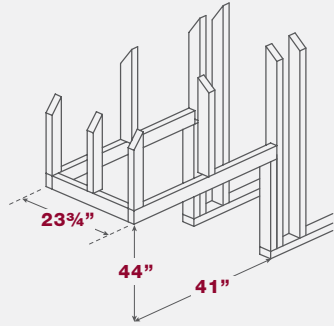
<sup>A</sup> Standard on H38FSD<sup>1</sup>, H42FSD<sup>1</sup>  
<sup>1</sup>Proflame 2 units only

# Unit Specifications

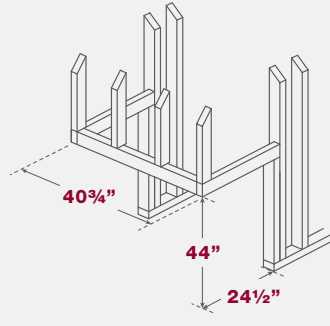
## ICON LEGEND

AVAILABLE	+	NOT AVAILABLE	-
DEDICATED	◊	STANDARD	◦

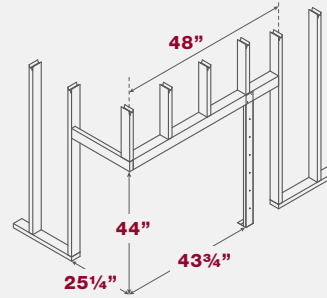
### PIER FRAMING



### BAY FRAMING



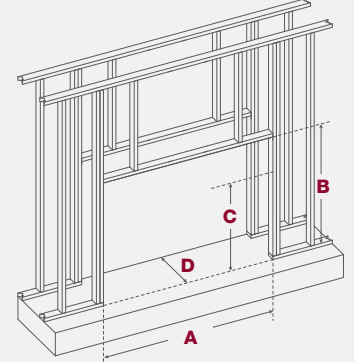
### CORNER FRAMING



NON COMBUSTIBLE STUD INCLUDED WITH UNIT

Approximate dimensions to center. For best results mount noncombustible stud onto unit, then bolt to 2x4 header and floor.

### SEE THROUGH FRAMING



	A	B	C	D
H38FSD	40 3/4"	42 1/2"	N/A	23 3/4"
H42FSD	45"	49 1/2"	46 1/2"	24"

NON COMBUSTIBLE STUD INCLUDED WITH UNIT - NOT NEEDED FOR H38FSD

	BTU NATURAL GAS	BTU LIQUID PROPANE	VENTING	CLEARANCE TOP - REAR VENT	CLEARANCE TOP - TOP VENT	CLEARANCE SIDES	CLEARANCE BACK	CLEARANCE FLOOR	FRONT VIEWING AREA	FRONT GLASS TYPE	STANDARD MEDIA	MICRO MESH	POWERVENT	REMOTE CONTROL	FANS	UPLIGHTING	DOWNLIGHTING
H38FSD*	34,000	32,000	5"/8"	9	17 1/2	1	2	0	35 3/4 X 26 3/8	HIGH TEMPERATURE	TRADITIONAL	◦	+	+	+	-	-
H38FSD*I	34,000	32,000	5"/8"	9	17 1/2	1	2	0	35 3/4 X 26 3/8	HIGH TEMPERATURE	TRADITIONAL	◦	+	+	+	-	-
H42FSD*	37,000	37,000	5"/8"	9	17 1/2	1	2	0	39 3/8 X 30 3/8	HIGH TEMPERATURE	TRADITIONAL	◦	+	+	+	-	-
H42FSD*I	37,000	37,000	5"/8"	9	17 1/2	1	1	0	39 3/8 X 30 3/8	HIGH TEMPERATURE	TRADITIONAL	◦	+	+	+	-	-
H38PF*I-2	34,000	32,000	5"/8"	9	17 1/2	1	1	0	32 1/2 X 21 3/8	HIGH TEMPERATURE	TRADITIONAL	◦	+	◦	-	-	-
HL38PF*I-2	34,000	32,000	5"/8"	9	17 1/2	1	1	0	32 1/2 X 21 3/8	HIGH TEMPERATURE	HW1157	◦	+	◦	-	-	-
H38PR*I-2	34,000	32,000	5"/8"	9	17 1/2	1	1	0	32 1/2 X 24 3/4	HIGH TEMPERATURE	TRADITIONAL	◦	+	◦	-	-	-
HL38PR*I-2	34,000	32,000	5"/8"	9	17 1/2	1	1	0	32 1/2 X 24 3/4	HIGH TEMPERATURE	HW1157	◦	+	◦	-	-	-
H38CL*I-2	34,000	32,000	5"/8"	9	17 1/2	1	1	0	32 1/2 X 24 3/4	HIGH TEMPERATURE	TRADITIONAL	◦	+	◦	-	-	-
HL38CL*I-2	34,000	32,000	5"/8"	9	17 1/2	1	1	0	32 1/2 X 24 3/4	HIGH TEMPERATURE	HW1157	◦	+	◦	-	-	-
H38CR*I-2	34,000	32,000	5"/8"	9	17 1/2	1	1	0	32 1/2 X 24 3/4	HIGH TEMPERATURE	TRADITIONAL	◦	+	◦	-	-	-
HL38CR*I-2	34,000	32,000	5"/8"	9	17 1/2	1	1	0	32 1/2 X 24 3/4	HIGH TEMPERATURE	HW1157	◦	+	◦	-	-	-