



EXEMPLAR

MULTI SIDED

A NEW VIEW

R320ST
R420ST
R520ST
R620ST

EXEMPLAR CONTEMPORARY

Standard

- Contemporary burner with Ice fireglass
- Micro mesh screen
- Power vent control box

Options

- Speckled stones, driftwood, glass media
- Indoor outdoor kit
- Remote control on/off

EXEMPLAR POWER VENTS

Wall Mount

- PVHEX58-300
- PVHEX510-300
- PVHEXD-300

Flush Wall Mount

- PVHFL58-300
- PVHFL510-300
- PVHIN58-300-FS^A

Roof Mount

- PVVEX58-300
- PVVEX510-300

QUICK DIMENSIONS

	R320ST		R420ST		R520ST		R620ST	
	UNIT	FRAM.	UNIT	FRAM.	UNIT	FRAM.	UNIT	FRAM.
F.WIDTH	41½	56 ¹³ / ₁₆	53½	68 ¹³ / ₁₆	65½	80 ¹³ / ₁₆	77½	92 ¹³ / ₁₆
B.WIDTH	50 ¹³ / ₁₆	56 ¹³ / ₁₆	62 ¹³ / ₁₆	68 ¹³ / ₁₆	74 ¹³ / ₁₆	80 ¹³ / ₁₆	86 ¹³ / ₁₆	92 ¹³ / ₁₆
HEIGHT	45 ⁷ / ₈	47	45 ⁷ / ₈	47	45 ⁷ / ₈	47	45 ⁷ / ₈	47
DEPTH	24 ⁵ / ₈	23¾	24 ⁵ / ₈	23¾	24 ⁵ / ₈	23¾	24 ⁵ / ₈	23¾
VIEWING	37¼ x 16½		49¼ x 16½		61¼ x 18½		73¼ x 18½	

^APower Vent is for R320ST and R420ST only

BTU LISTING

R320STN / 45,000
R320STL / 42,000

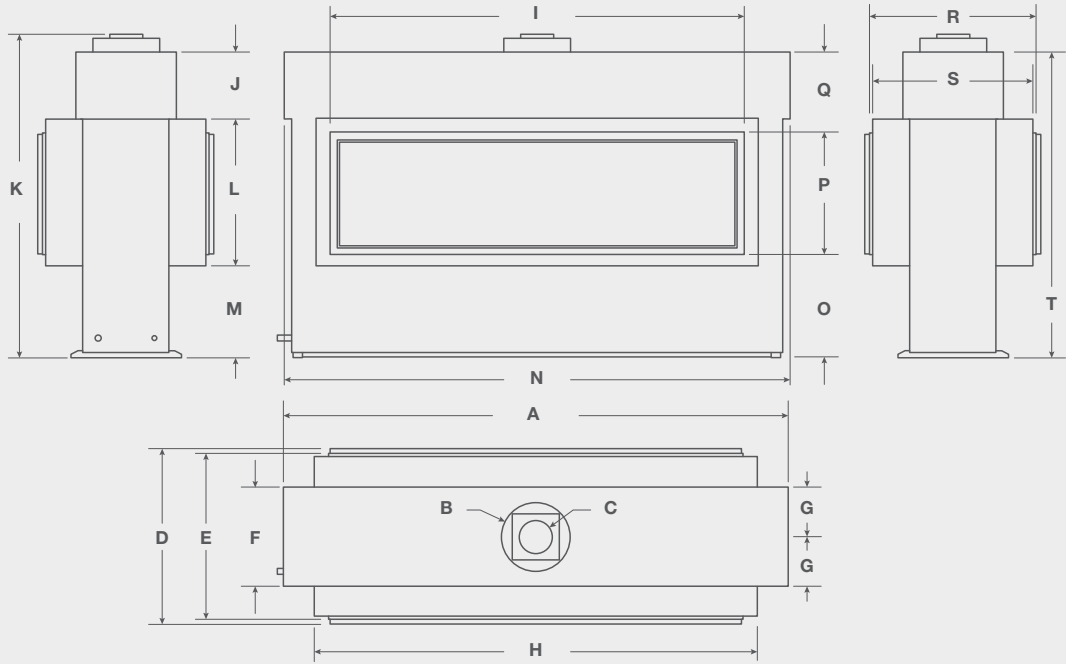
R420STN / 55,000
R420STL / 55,000

R520STN / 80,000
R520STL / 80,000

R620STN / 100,000
R620STL / 100,000



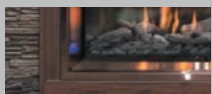
EXEMPLAR DIMENSIONS



	A	B	C	D	E	F	G	H	I	J	K	L	M	N	O	P	Q	R	S
R320	50 $\frac{7}{8}$	8	5	26 $\frac{3}{8}$	24 $\frac{5}{8}$	15	7 $\frac{1}{16}$	41 $\frac{1}{2}$	37 $\frac{1}{8}$	9 $\frac{13}{16}$	45 $\frac{7}{8}$	19 $\frac{3}{4}$	13 $\frac{3}{8}$	50 $\frac{13}{16}$	15 $\frac{1}{8}$	16 $\frac{1}{8}$	12	24 $\frac{5}{8}$	23 $\frac{3}{8}$
R420	62 $\frac{7}{8}$	8	5	26 $\frac{3}{8}$	24 $\frac{5}{8}$	15	7 $\frac{1}{16}$	53 $\frac{1}{2}$	49 $\frac{1}{4}$	9 $\frac{13}{16}$	45 $\frac{7}{8}$	19 $\frac{3}{4}$	13 $\frac{3}{8}$	62 $\frac{13}{16}$	15 $\frac{1}{8}$	16 $\frac{1}{8}$	12	24 $\frac{5}{8}$	23 $\frac{3}{8}$
R520	74 $\frac{7}{8}$	10	5	26 $\frac{3}{8}$	24 $\frac{5}{8}$	15	7 $\frac{1}{16}$	65 $\frac{1}{2}$	61 $\frac{1}{4}$	9 $\frac{13}{16}$	45 $\frac{7}{8}$	19 $\frac{3}{4}$	13 $\frac{3}{8}$	74 $\frac{13}{16}$	15 $\frac{1}{8}$	16 $\frac{1}{8}$	12	24 $\frac{5}{8}$	23 $\frac{3}{8}$
R620	86 $\frac{7}{8}$	10	5	26 $\frac{3}{8}$	24 $\frac{5}{8}$	15	7 $\frac{1}{16}$	77 $\frac{1}{2}$	73 $\frac{1}{4}$	9 $\frac{13}{16}$	45 $\frac{7}{8}$	19 $\frac{3}{4}$	13 $\frac{3}{8}$	86 $\frac{13}{16}$	15 $\frac{1}{8}$	16 $\frac{1}{8}$	12	24 $\frac{5}{8}$	23 $\frac{3}{8}$



OPTIONS & FEATURES



INDOOR
OUTDOOR KIT
IOSK*



REMOTE ON/OFF
RXM40VAC

Unit Specifications

ICON LEGEND

AVAILABLE	+	NOT AVAILABLE	-
DEDICATED	◊	STANDARD	◦

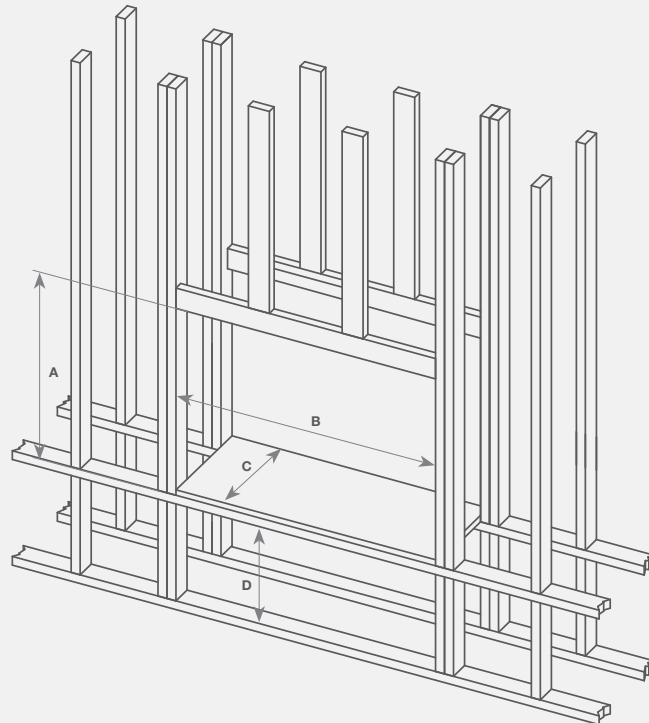
	BTU NATURAL GAS	BTU LIQUID PROPANE	VENTING	CLEARANCE TOP - REAR VENT	CLEARANCE TOP - TOP VENT	CLEARANCE SIDES	CLEARANCE BACK	CLEARANCE FLOOR	FRONT VIEWING AREA	STANDARD MEDIA	FRONT GLASS TYPE	MICRO MESH SCREEN	POWERVENT	REMOTE CONTROL	FANS	UPLIGHTING	DOWNLIGHTING
R320	50,000	40,000	5"8"	24	24	6	2	0	37¼ × 16½	HW1157	HIGH TEMPERATURE	◦	◊	-	-	-	-
R420	65,000	55,000	5"8"	24	24	6	2	0	49¼ × 16½	HW1157	HIGH TEMPERATURE	◦	◊	-	-	-	-
R520	80,000	65,000	5"10"	24	24	6	2	0	61¼ × 18½	HW1157	HIGH TEMPERATURE	◦	◊	-	-	-	-
R620ST	100,000	100,000	5"10"	26	26	3	2	0	85¼ × 18½	HW1157	HIGH TEMPERATURE	◦	◊	-	-	-	-
RP620	75,000	70,000	5"8"	25¾	25¾	5½	4	0	73¼ × 18½	HW1157	HIGH TEMPERATURE	◦	◊	-	-	◦	-
R720	100,000	80,000	5"10"	24	24	6	2	0	85¼ × 18½	HW1157	HIGH TEMPERATURE	◦	◊	-	-	-	-
R820	100,000	80,000	5"10"	24	24	6	2	0	97¼ × 18½	HW1157	HIGH TEMPERATURE	◦	◊	-	-	-	-
R324	50,000	50,000	N/A	3	3	½	N/A	0	35¼ × 26¾	HW1157	HIGH TEMPERATURE	◦	◦	-	-	-	-
RP424	45,000	45,000	5"8"	0	0	0	0	0	35¼ × 26¾	N/A	HIGH TEMPERATURE	-	◊	-	-	◦	-

EXEMPLAR FRAMING

	A	B	C	D
R320	47	55	23¾ [†]	0
R420	47	67	23¾ [†]	0
R520	45	77	23¾ [†]	0
RP620	54	96	26 [†]	0
R720	46	101	23¾ [†]	0
R820	46	113	23¾ [†]	0

EXEMPLAR ST FRAMING

	A	B	C	D
R320ST	47	56 ¹³ / ₁₆	23¾	0
R324	48	49	N/A	10
R420ST	47	68 ¹³ / ₁₆	23¾	0
R520ST	47	80 ¹³ / ₁₆	23¾	0
R620ST	47	92 ¹³ / ₁₆	23¾	0



See instruction manual for detailed instructions

Header on edge not required if framing meets clearance to venting

[†]Dimension is to back wall or back studs