



Features

Ventless design

304 Stainless steel

Fans provide zone heating up to 10'

OUTDOOR / PROUDLY HANDCRAFTED IN NORTH AMERICA



# MAHANA

OUTDOOR SERIES

# A WARM BREEZE

PL42VO  
PL60VO

VENTLESS  
OUTDOOR

**MAHANA  
CONTEMPORARY**

**Standard**

- Concealed burner with Quartz firebeads
- Built in fan system
- Safety screen

**Options**

- LED backlighting
- Stainless steel and powdercoated enclosures
- Enclosure pedestal
- Enclosure cover
- Speckled stones, driftwood, glass media
- Remote control on/off



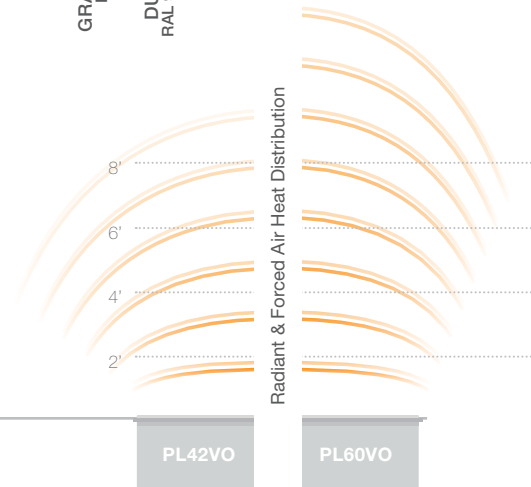
CARBON  
RAL 9005

GRAPHITE  
RAL 7015

DUNE  
RAL 9002

**QUICK DIMENSIONS**

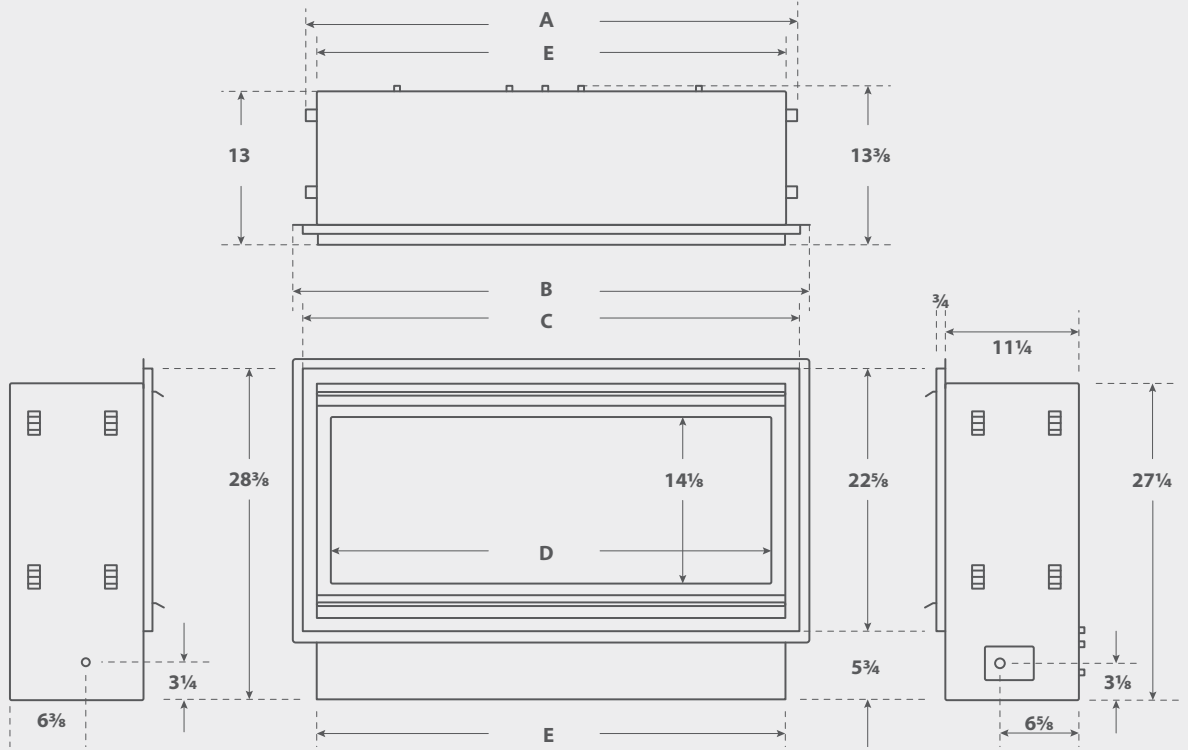
	PL42VO		PL60VO	
	UNIT	FRAM.	UNIT	FRAM.
F.WIDTH	43 <sup>5</sup> / <sub>8</sub>	42	67 <sup>5</sup> / <sub>8</sub>	66
B.WIDTH	41 <sup>5</sup> / <sub>8</sub>	42	65 <sup>5</sup> / <sub>8</sub>	66
HEIGHT	28 <sup>7</sup> / <sub>8</sub>	32 <sup>1</sup> / <sub>2</sub>	28 <sup>7</sup> / <sub>8</sub>	32 <sup>1</sup> / <sub>2</sub>
DEPTH	13	11 <sup>5</sup> / <sub>8</sub>	13	11 <sup>5</sup> / <sub>8</sub>
VIEWING	37 <sup>1</sup> / <sub>4</sub> x 14 <sup>1</sup> / <sub>8</sub>		61 <sup>1</sup> / <sub>4</sub> x 14 <sup>1</sup> / <sub>8</sub>	



**BTU LISTING**  
**PL42VO\*** / 28,000  
**PL60VO\*** / 47,000



**MAHANA DIMENSIONS**



	A	B	C	D	E
PL42VO	41 1/8	43 3/8	42	37 1/4	39 3/4
PL60VO	65 5/8	67 7/8	66	61 1/4	63 3/4

For enclosure dimensions please reference framing dimensions page



**CERULEAN**  
RAL 5018

**CITRUS**  
RAL 2004

**SANGRIA**  
RAL 3003

**SOL**  
RAL 1018

**MONTIGO / MAHANA / PL60VO / QUARTZ FIREBEADS /**



**Features**

Listed for wood frame construction and facing

Mount a TV directly above the fireplace

**OPTIONS & FEATURES**



**ENCLOSURES**  
PLVOBE\*\*



**ENCLOSURE PEDESTAL**  
PL\*\*VOBE-P



**ENCLOSURE COVER**  
PL\*\*CVR



**LED BACKLIGHTING**  
PLVOBE\*\*



**REMOTE ON/OFF**  
RXM40VACVO

# Unit Specifications

## ICON LEGEND

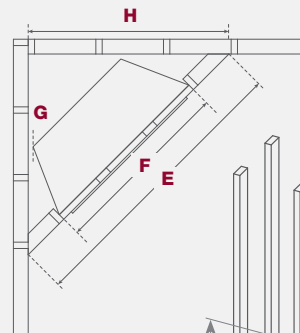
AVAILABLE	+	NOT AVAILABLE	-
DEDICATED	◊	STANDARD	◦

	BTU NATURAL GAS	BTU LIQUID PROPANE	CLEARANCE TOP	CLEARANCE SIDES	CLEARANCE BACK	CLEARANCE FLOOR	STANDARD MEDIA	FRONT GLASS TYPE	POWERVENT	REMOTE CONTROL	FANS	UPLIGHTING	DOWNLIGHTING
H34VO**	26,000	26,000	9	1†	1†	0	TRADITIONAL	HIGH TEMPERATURE	-	-	-	-	-
H38VO**	34,000	34,000	9	1†	1†	0	TRADITIONAL	HIGH TEMPERATURE	-	-	-	-	-
HL38VO**	34,000	34,000	9	1†	1†	0	HW1157	HIGH TEMPERATURE	-	-	-	-	-
H38SVO**	34,000	34,000	36	12	N/A	0	TRADITIONAL	HIGH TEMPERATURE	-	-	-	-	-
HL38SVO**	34,000	34,000	36	12	N/A	0	HW1157	HIGH TEMPERATURE	-	-	-	-	-
H42VO**	40,000	40,000	9	1†	1†	0	TRADITIONAL	HIGH TEMPERATURE	-	-	-	-	-
PL42VO*	28,000	28,000	0	1	0	0	HW1106	HIGH TEMPERATURE	-	-	◊	+	-
PL60VO*	47,000	47,000	0	1	0	0	HW1106	HIGH TEMPERATURE	-	-	◊	+	-

†Clearance to insulation jacket is 0"

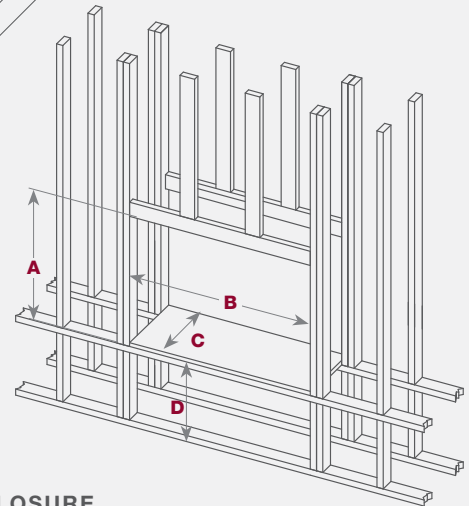
## DIVINE OUTDOOR FRAMING

	A	B	C	D	E	F	G	H
H34VO	38¾	35⅝	20¼†	*	61⅞	35⅝	0	43⅞
H38VO	42½	39¼	21⅝†	*	65⅞	39¼	0	49⅞
H42VO	46½	43½	22⅝†	*	72¼	43½	0	51⅞



## DIVINE OUTDOOR ST FRAMING

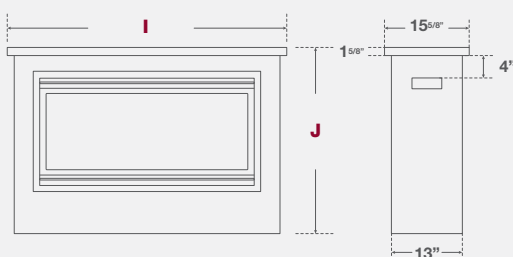
	A	B	C	D
H38SVO	38	41	23⅞	*



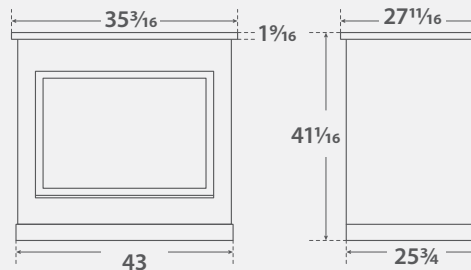
## MAHANA FRAMING AND ENCLOSURE

	A	B	C	D	E	F	G	H	I	J
PL42VO	27¼	42	11⅝	*	62⅞	42	0	48⅞	51⅞	34⅞
PL60VO	27¼	66	11⅝	*	87	66	0	65½	76⅞	34⅞

## MAHANA ENCLOSURE



## DIVINE OUTDOOR ST ENCLOSURE



See instruction manual for detailed instructions

Be sure to plan a drain system for both in the wall and standalone installations.

\*Check local codes and manual for minimum distance from grade to unit.

†Dimension is to back wall or back studs