



PHENOM / PROUDLY HANDCRAFTED IN NORTH AMERICA

PHENOM

IT STARTS WITH A SPARK

P38, P42, P52
PL38, PL42,
PL52

SINGLE SIDED
DIRECT VENT

QUICK DIMENSIONS

	P38		P42		P52	
	UNIT	FRAM.	UNIT	FRAM.	UNIT	FRAM.
F.WIDTH	37 ¹¹ / ₁₆	37 ³ / ₄	42	42	52	52
B.WIDTH	37 ¹ / ₄	37 ³ / ₄	41 ¹ / ₂	42	47 ³ / ₈	52
HEIGHT	33 ³ / ₄	41 ¹ / ₄	34 ³ / ₈	42	36 ³ / ₁₆	43 ³ / ₄
DEPTH	19 ¹ / ₂	20 ¹ / ₈	20 ⁵ / ₈	21 ¹ / ₈	22 ¹ / ₁₆	24 ¹ / ₄
VIEWING	35 ³ / ₁₆ × 19 ¹ / ₂		39 ¹ / ₂ × 20 ³ / ₈		47 × 21 ¹ / ₈	

PHENOM FULL LOAD CONTEMPORARY

Standard

Concealed burner with Quartz firebeads

Multi-function remote control

Remote controlled fans

Black porcelain liner

Halogen uplighting

Remote Hi-Lo flame

Micro mesh screen

Battery backup

Options

Surrounds in satin black or stainless steel

Speckled stones, driftwood, glass media

WiFi phone app control

PHENOM BASIC CONTEMPORARY

Standard

Concealed burner with Ice fireglass

Micro mesh screen

Comes with Proflame 2 BASIC control system

Options

Surrounds in satin black or stainless steel

Speckled stones, driftwood, glass media

Multi-function remote control

Remote controlled fans

Black porcelain liner

Battery backup



BTU LISTING

P*38DF-I-2 / 25,000
P*42DF-I-2 / 32,000
P*52DF-I-2 / 40,000

EFFICIENCY (FE)

P38DFNI-2 / 58%
PL38DFNI / 58%
P38DFLI-2 / 58%
PL38DFLI / 58%

P42DFNI-2 / 57%
PL42DFNI / 57%
P42DFLI-2 / 60%
PL42DFLI / 57%

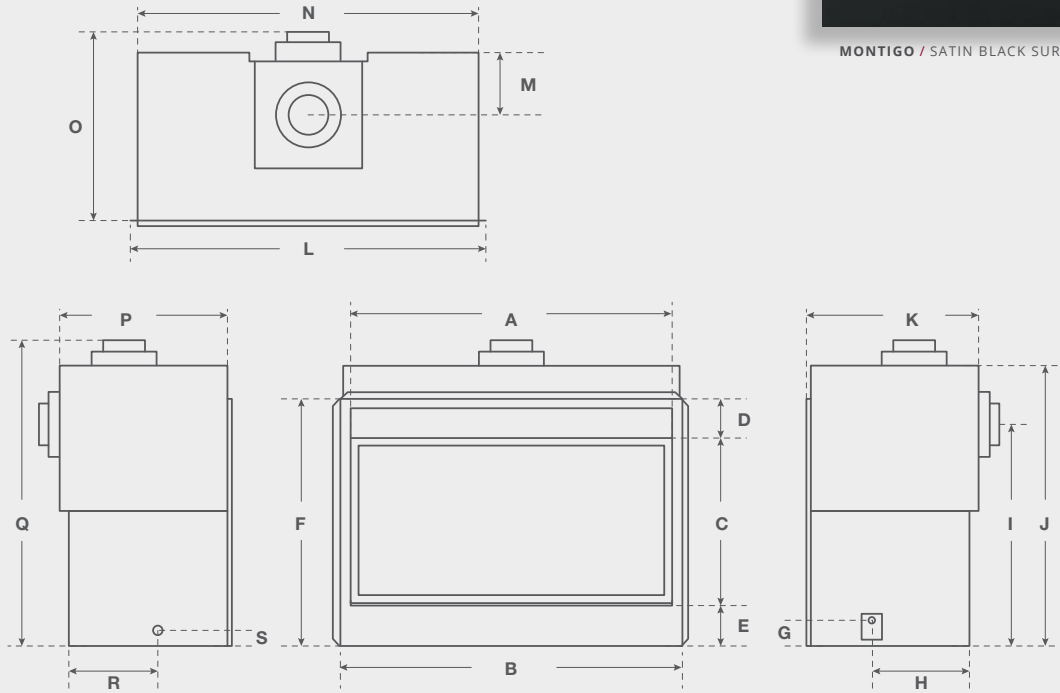
P52DFNI-2 / 59.3%
PL52DFNI / 56%
P52DFLI-2 / 59.3%
PL52DFLI / 59.3%



PHENOM DIMENSIONS

MONTIGO / STAINLESS STEEL SURROUND

MONTIGO / SATIN BLACK SURROUND



	A	B	C	D	E	F	G	H	I	J	K	L	M	N	O	P	Q	R	S
P38	35 ³ / ₁₆	37 ¹ / ₁₆	19 ¹ / ₂	4 ³ / ₈	5 ⁷ / ₁₆	29 ⁹ / ₁₆	3	13 ³ / ₁₆	26 ³ / ₁₆	33 ³ / ₄	20 ³ / ₁₆	39 ¹ / ₄	71 ⁵ / ₁₆	37 ¹ / ₄	22 ¹ / ₈	19 ¹ / ₂	36 ³ / ₈	11	2
P42	39 ¹ / ₂	42	20 ³ / ₈	4 ¹ / ₁₆	5 ¹ / ₂	30 ³ / ₁₆	3	14 ⁵ / ₁₆	27 ³ / ₈	34 ³ / ₈	21 ¹ / ₁₆	43 ³ / ₁₆	8	41 ¹ / ₂	23 ¹ / ₈	20 ⁵ / ₁₆	37 ¹ / ₁₆	12 ¹ / ₁₆	2
P52	47	52	21 ⁷ / ₈	5 ¹ / ₁₆	5 ³ / ₈	33 ³ / ₁₆	3	14 ⁵ / ₈	28 ³ / ₄	36 ³ / ₁₆	22 ¹ / ₁₆	53 ³ / ₈	7 ⁵ / ₁₆	47 ³ / ₈	23 ³ / ₈	22	39	12 ¹ / ₁₆	2

MONTIGO / PHENOM / PL42 / SPECKLED STONES AND DRIFTWOOD

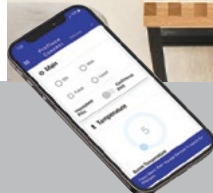
MONTIGO / PHENOM / PL42 / SAGE FIREBEADS



REMOTE+
RX200**



WALL REMOTE
EC1550



WiFi PHONE APP
CONTROL
SIT-WIFI†



BLACK PORCELAIN†
PPL**



UPLIGHTING†

†Standard for full load units
**For full load units only

Unit Specifications

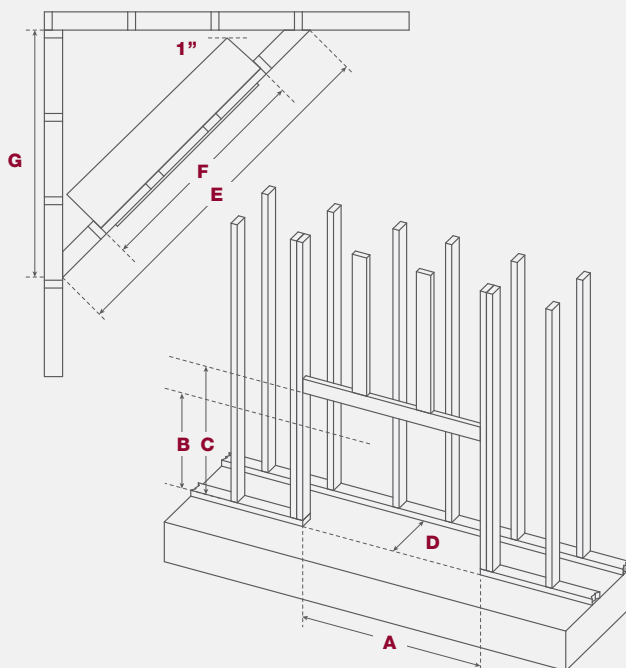
ICON LEGEND

AVAILABLE	+	NOT AVAILABLE	-
DEDICATED	◊	STANDARD	◦

	BTU NATURAL GAS	BTU LIQUID PROPANE	VENTING	CLEARANCE TOP - REAR VENT	CLEARANCE TOP - TOP VENT	CLEARANCE SIDES	CLEARANCE BACK	CLEARANCE FLOOR	FRONT VIEWING AREA	FRONT GLASS TYPE	STANDARD MEDIA	MICRO MESH SCREEN	POWERVENT	REMOTE CONTROL	FANS	UPLIGHTING	DOWNLIGHTING
PL38DF* ¹	25,000	25,000	5"8"	9	17½	0	0	0	35¾ × 19½	HIGH TEMPERATURE	HW1157	◦	+	+	+	-	-
PL42DF* ¹	32,000	32,000	5"8"	9	17½	0	0	0	39½ × 20¾	HIGH TEMPERATURE	HW1157	◦	+	+	+	-	-
PL52DF* ¹	40,000	40,000	5"10"	12	26	2½	1	0	47 × 21¾	HIGH TEMPERATURE	HW1157	◦	+	+	+	-	-
P38DF* ¹	25,000	25,000	5"8"	9	17½	0	0	0	35¾ × 19½	HIGH TEMPERATURE	HW1106	◦	+	◦	◦	◦	-
P42DF* ¹	32,000	32,000	5"8"	9	17½	6	0	0	39½ × 20¾	HIGH TEMPERATURE	HW1106	◦	+	◦	◦	◦	-
P52DF* ¹	40,000	40,000	5"10"	12	26	2½	1	0	47 × 21¾	HIGH TEMPERATURE	HW1106	◦	+	◦	◦	◦	-
L38FSD* ¹	27,000	27,000	5"8"	24	24	6	2	0	35¼ × 19¾	HIGH TEMPERATURE	HW1157	◦	+	+	+	-	-
L42FSD* ¹	34,000	34,000	5"8"	24	24	6	2	0	39½ × 20¾	HIGH TEMPERATURE	HW1157	◦	+	+	+	-	-
L52FSD* ¹	40,000	40,000	5"8"	24	24	6	2	0	47 × 21¾	HIGH TEMPERATURE	HW1157	◦	+	+	-	-	-

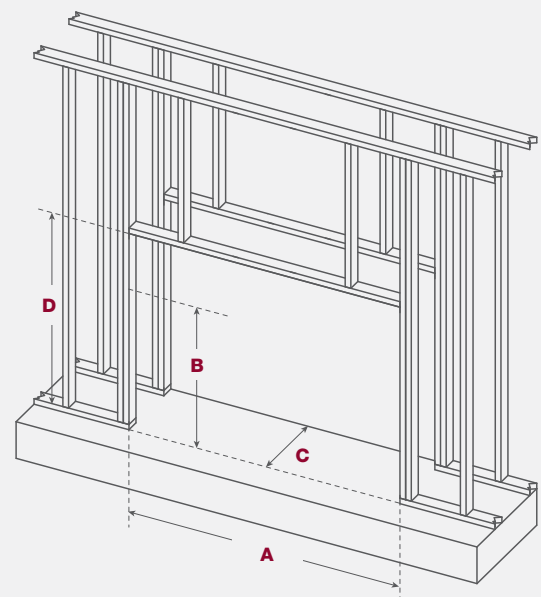
PHENOM SINGLE SIDED FRAMING

	A	B [†]	C	D	E	F	G
P38	37¾	34¼	41¼	20⅞	76¼	37¾	53⅞
P42	42	35	42	21¾	84½	42	59¾
P52	52	37½	43¾	24½	98	52	64¼



PHENOM SEE THROUGH FRAMING

	A	B [†]	C	D
P38	41	34½	23¾	40
P42	45	35	23¾	40
P52	59	N/A	23¾	39



[†] "B" dimension is from grade to non-combustible stud
Header on edge not required if framing meets clearance to venting