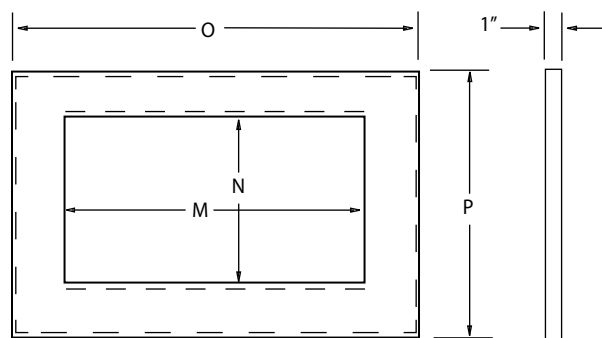
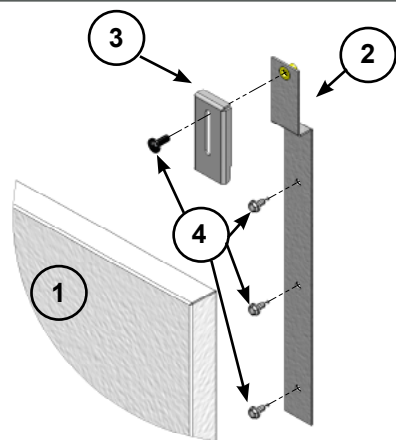




# DIVINE & PHENOM FIREPLACE SURROUND

Parts Included

1)	1-Pc, Surround
2)	2-Pcs, Attachment Brackets
3)	4-Pcs, Moving Brackets
4)	1-Pkg. Hardware



	M	N	O	P
H34	31 <sup>1</sup> / <sub>16</sub>	24 <sup>1</sup> / <sub>16</sub>	45 <sup>1</sup> / <sub>16</sub>	38 <sup>3</sup> / <sub>8</sub>
H38	35 <sup>3</sup> / <sub>16</sub>	26 <sup>3</sup> / <sub>8</sub>	49 <sup>1</sup> / <sub>16</sub>	41
H42	39 <sup>3</sup> / <sub>8</sub>	30 <sup>7</sup> / <sub>16</sub>	54 <sup>1</sup> / <sub>8</sub>	45 <sup>1</sup> / <sub>16</sub>
P*38	35 <sup>5</sup> / <sub>16</sub>	19 <sup>7</sup> / <sub>16</sub>	49 <sup>13</sup> / <sub>16</sub>	34 <sup>1</sup> / <sub>16</sub>
P*42	39 <sup>3</sup> / <sub>8</sub>	20 <sup>3</sup> / <sub>16</sub>	54 <sup>1</sup> / <sub>8</sub>	34 <sup>1</sup> / <sub>16</sub>
P*52	47 <sup>3</sup> / <sub>16</sub>	21 <sup>1</sup> / <sub>16</sub>	65 <sup>3</sup> / <sub>16</sub>	40 <sup>3</sup> / <sub>8</sub>

P unit surrounds are also compatible with L\*\*FSD units.

## Installing the Surround

- The installation of this KIT must be done by a qualified and certified gas appliance installer.
- Check local codes and read all instructions prior to installation.

**⚠ WARNING**

Some materials used in the manufacturing process of this product can expose you to Benzene which is known in the State of California to cause cancer and birth defects or other reproductive harm. For more information go to [www.P65warnings.ca.gov](http://www.P65warnings.ca.gov)

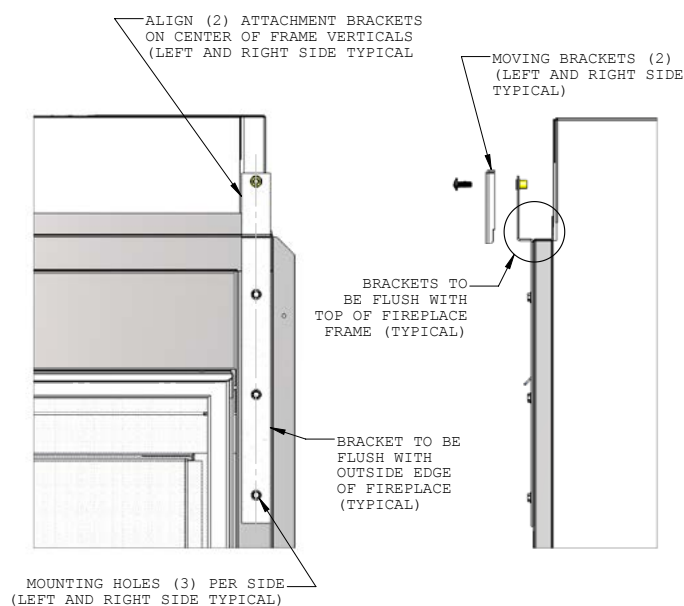
Tools Required

1)	Power Drill, (eight 1/8" holes)
2)	#8 Hexhead Driver, (to match hardware)
3)	Carpenters level (Final Step, if required)

To install the Montigo Stainless steel or Black contemporary surround onto the Divine or Phenom unit, follow these steps.

Note: Four sided surround requires a raised installation. Do not install nailing flange when installing four sided surround. Refer to the installation and maintenance manual for your fireplace for further information and framing dimensions.

- 1 Mark the location of the holes needed.**  
From the package of hardware locate one of the Attachment Brackets. Hold this part in place as shown in Figure 2. With a pencil or pen mark the (6) six holes on the face of the fireplace frame, (see below) Note: Ensure the brackets align.

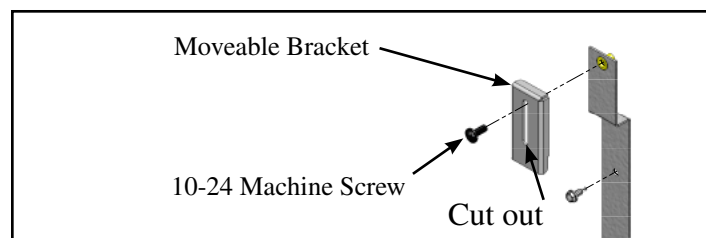


- 2 Drill holes.**  
Before you go any farther now is the time to double check the location of the holes, do they agree with Figure 2. If you are satisfied with the location of the holes, use a punch to mark the holes, then using a 1/8" drill, drill out the six holes.

- 3 Install the (2) two Attachment Brackets.**  
Install the two (2) Attachment Brackets you used as a guide. Have someone hold one of the Brackets in place, using the Hex-tool, place a self-tapping #8-18 sheet metal hex screw into the hole and twist it into the hole half way.

Follow this procedure for the remaining two (2) screws in the first bracket. After the three (3) screws are in place tighten them in place. Repeat the procedure in Step 3 for the second Attachment Bracket

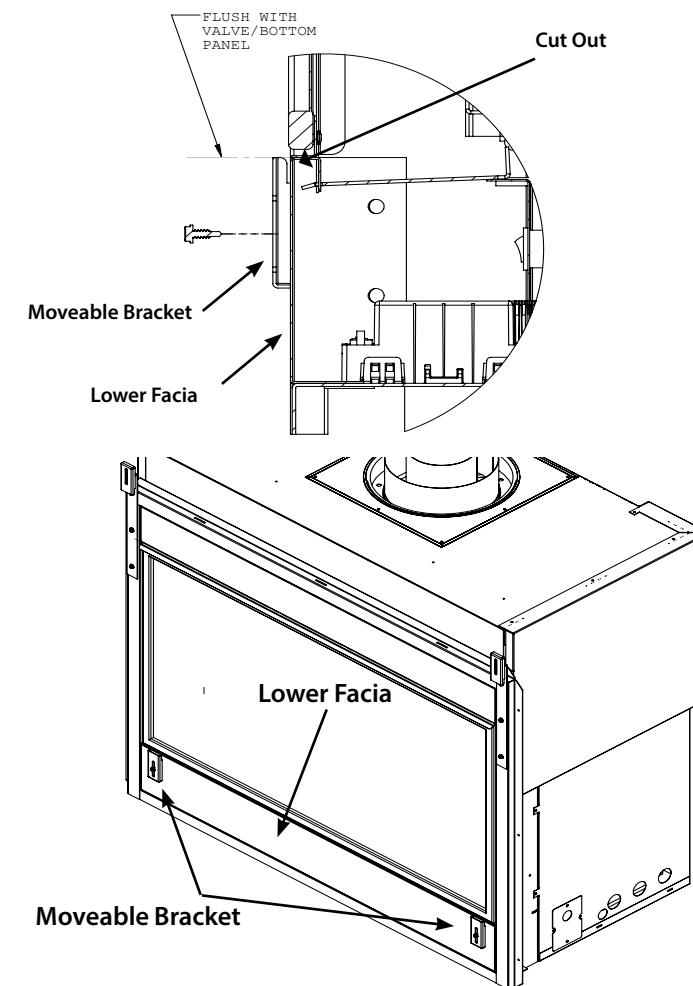
- 4 Install the (2) two Movable Brackets.**  
Install the two (2) Movable Brackets. (These move up or down to level and align the surround. This will produce a symmetrical reveal when correctly adjusted).



Pick up one of the brackets, using the supplied hardware, mount it into place. Slide the bolt through the bracket 'front to back', then tighten the bolt using an open end wrench or socket.

Follow this procedure for the remaining bolt in the second Movable Bracket.

- 5 Installing the Lower Movable Brackets.**  
Using the self drilling screws supplied secure the moveable brackets to the front of the fireplaces lower facia. The cut out on the moveable bracket should be such that the cut out is facing up. The moveable bracket should be level with the top of the fireplace lower facia and spaced evenly from left to right as to support the weight of the surround



- 6 Placing the Surround.**  
Finally it's time to install the Stainless steel or Black Surround. For this step it would be helpful to have someone help you hold the surround in place.

Lift the surround over the four (4) Movable Brackets and slide the surround downward. The surround should securely lock in place in the cut out in the lower moveable brackets. Center the surround left to right. If the surround doesn't clear the top or bottom of the fireplace you will have to adjust the movable brackets up or down. Remove the surround place it aside. Adjust the bracket as required. Repeat as necessary

- 7 Final adjusting of the Surround.**  
This step is not necessary if the surround fits tightly around the fireplace, or the adjustment is acceptable. But, if your surround has an uneven reveal, or unequal gap around/between the fireplace and surround, using a carpenters level adjust the Movable brackets as needed. Finally place the adjusted Surround back on the Brackets and admire your Montigo fireplace.