



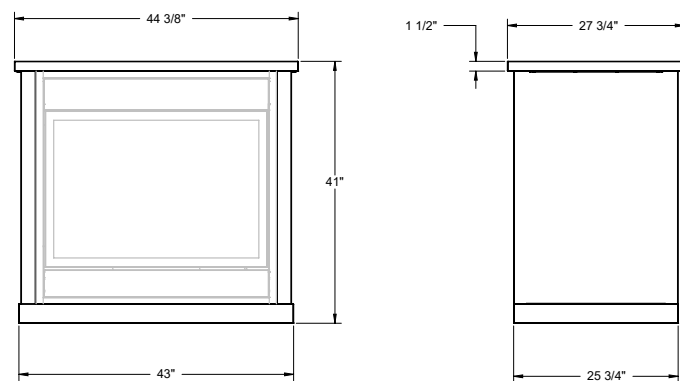
H38SVOBE OUTDOOR ENCLOSURE

⚠ WARNING

Some materials used in the manufacturing process of this product can expose you to Benzene which is known in the State of California to cause cancer and birth defects or other reproductive harm. For more information go to www.P65warnings.ca.gov

- For outdoor use only
- NOTE: This installation of this unit requires electrical mains power connection and must be done by a qualified electrician and certified gas appliance installer
- Check local codes and read all instructions prior to installation.
- Route gas and electrical lines before construction and installation of the enclosure
- The enclosure features venting holes underneath the top cover, ensure these are not covered

FINISHED DIMENSIONS



H38STVOBE ENCLOSURE

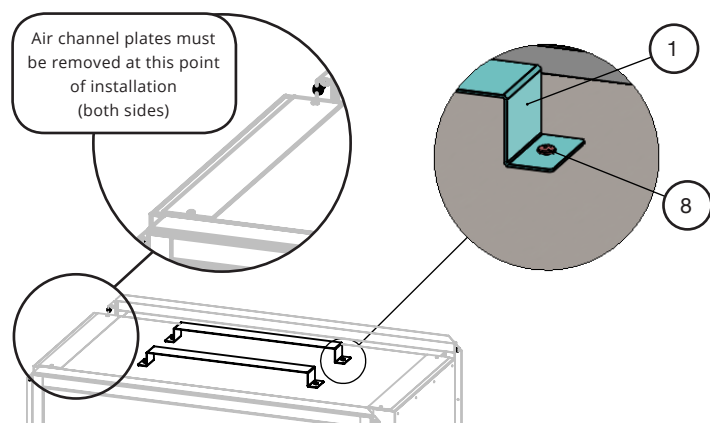
Assembly

⚠ WARNING

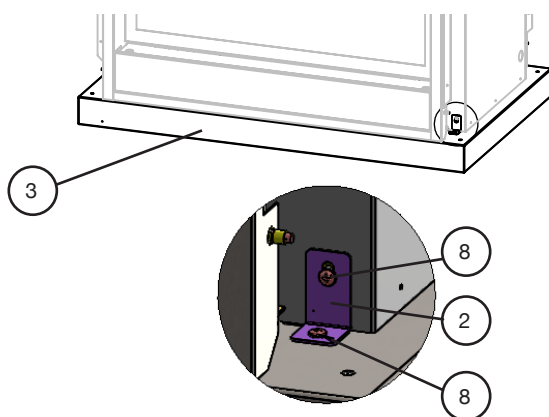
ENSURE THAT ALL PROTECTIVE FILM FROM METAL PARTS IS REMOVED BEFORE ASSEMBLY

- See installation manual for instructions on how to route gas lines and power supply
- See installation manual for clearances to combustible materials
- Plan a proper drainage system before installation of the enclosure

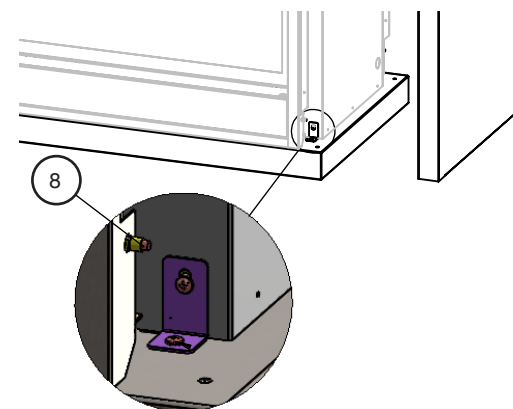
1 Place the 2 PART №1 Top support brackets on the top of the unit using the supplied pan head screws.



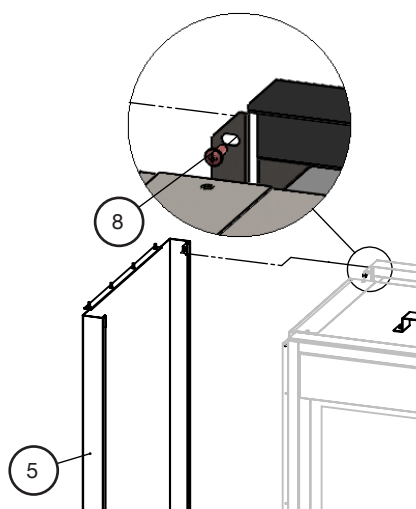
2 Place unit on PART №3 Base and attach with 4 PART №2 Brackets using the supplied pan head screws.



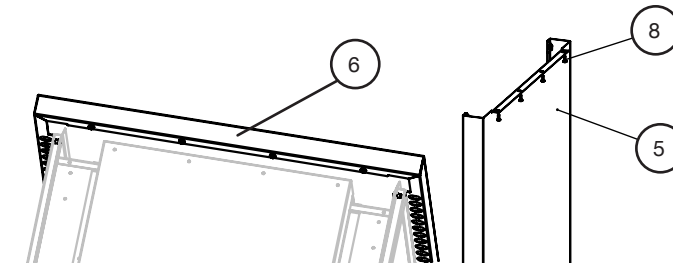
3 The bottom of PART №5 Side Skins (4) are attached to the fireplace using supplied Pan head screws. Valve blind may need to be removed to access holes. Repeat other side.



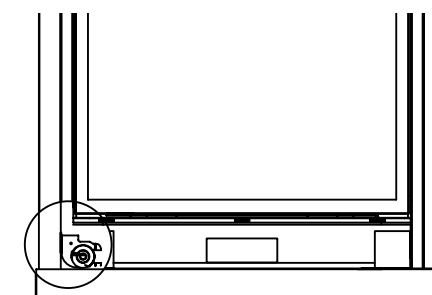
4 The top of PART №5 Side Skins (4) are attached to the fireplace using supplied Pan head screws.



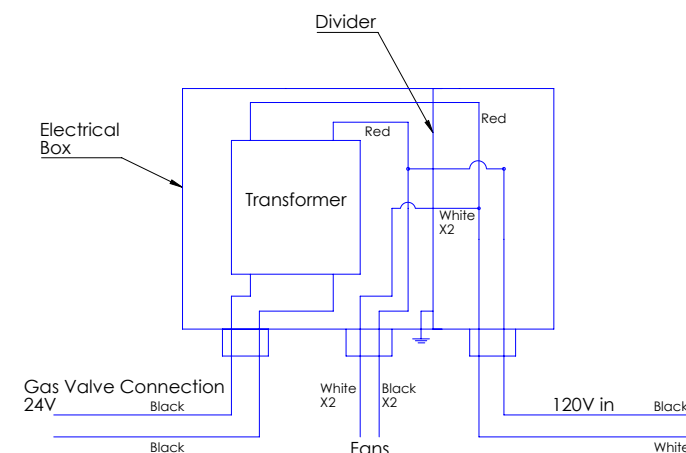
6 PART №6 Top cover is secured to the top of the Side skins with 4 Pan Head screws on each side as shown.



7 PART №10 EC1472 Fan kits are inserted and attached to the inside floor of the unit using PART №7 Velcro strips. fans should sit against the inside side wall of the unit.



8 Fans are wired into the control box as per below schematic.



№	PART ID#	DESCRIPTION	QUANT.
1	O38ST060	BRACKET TOP SUPPORT, H38	2
2	O38ST059	BRACKET,H38 ENCL	4
3	O38ST058	BASE, H38ST, ENCLOSURE	1
4	O38ST054	Fan Bracket	2
5	O38ST017	SIDE SKINS H38	2
6	O38ST016	TOP COVER	1
7	HW2212	VELCRO, 1"x2.75" MATED HOOK/LOOP	2
8	HW2105	SCREW, PAN, #10-24 X 1/2", PHIL, SS	28
9	HW1161	#10 Nutsert	20
10	EC1472	Fans	2