

MONTIGO®

# PARAGON

PARAGON / PROUDLY HANDCRAFTED IN NORTH AMERICA

DVCT36CBP95N

DVCT40CBP95N

DVCT50CBP95N

DVCT40CSP95N





PARAGON / PROUDLY HANDCRAFTED IN NORTH AMERICA

PARAGON

FEATURING TRUFLAME  
TECHNOLOGY

DVCT  
TRADITIONAL

DVCT36CBP95N  
DVCT40CBP95N

SINGLE SIDED  
DIRECT VENT

**Standard**

Micro mesh screen

Multi-function  
remote control

Remote Hi-Lo flame

Halogen downlighting

Rear Burner shut down

**Options**

Heat management

Decorative fronts

Traditional logsets<sup>†</sup>

Traditional and  
contemporary liners<sup>†</sup>

Remote controlled fans

Propane conversion kit

WiFi phone app control

<sup>†</sup>Required for installation





MONTIGO / PARAGON / DVCT40CBP95N / GREY HERRINGBONE



MONTIGO / PARAGON / DVCT40CBP95N / TAN BRICK



OPTIONS & FEATURES



REMOTE



WIFI PHONE APP CONTROL



WALL REMOTE



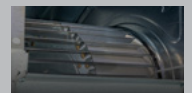
DOWNLIGHTING



TRADITIONAL LOGETS



BIRCH LOGETS



FANS

LINERS



TAN BRICK



GREY HERRINGBONE



BLACK PORCELAIN



DECORATIVE FRONT

PARAGON / PROUDLY HANDCRAFTED IN NORTH AMERICA



PARAGON

FEATURING TRUFLAME TECHNOLOGY

DVCT50CBP95N

SINGLE SIDED  
DIRECT VENT

DVCT  
TRADITIONAL

**Standard**

- Micro mesh screen
- Multi-function remote control
- Remote Hi-Lo flame
- Halogen downlighting
- Independent rear burner shut down

**Options**

- Heat management
- Decorative fronts
- Traditional logsets<sup>†</sup>
- Traditional and contemporary liners<sup>†</sup>
- Remote controlled fans
- Propane conversion kit
- WiFi phone app control

<sup>†</sup>Required for installation



MONTIGO / PARAGON / DVCT50CBP95N / BLACK PORCELAIN



MONTIGO / PARAGON / DVCT50CBP95N / BLACK PORCELAIN



OPTIONS & FEATURES



REMOTE



WIFI PHONE APP CONTROL



WALL REMOTE



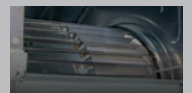
DOWNLIGHTING



TRADITIONAL LOGS



BIRCH LOGS



FANS

LINERS



VINTAGE BROWN



GREY HERRINGBONE



BLACK PORCELAIN



DECORATIVE FRONT



PARAGON / PROUDLY HANDCRAFTED IN NORTH AMERICA

PARAGON  
 MULTI SIDED

# FEATURING TRUFLAME TECHNOLOGY

**DVCT SEE THROUGH  
 TRADITIONAL**

## DVCT40CSP95N

SEE THROUGH  
 DIRECT VENT

### Standard

- Micro mesh screen
- Multi-function remote control
- Remote Hi-Lo flame
- Halogen downlighting

### Options

- Heat management
- Decorative fronts
- Traditional logsets<sup>†</sup>
- Traditional and contemporary liners<sup>†</sup>
- Indoor-outdoor kit
- Propane conversion kit
- WiFi phone app control



<sup>†</sup>Required for installation



MONTIGO / PARAGON / DVCT40CSP95N



MONTIGO / PARAGON / DVCT40CSP95N

MONTIGO / PARAGON / DVCT40CSP95N



OPTIONS & FEATURES



REMOTE



WIFI PHONE APP CONTROL



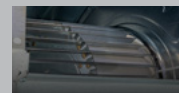
WALL REMOTE



DOWNLIGHTING



TRADITIONAL LOGETS

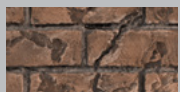


FANS



DECORATIVE FRONT

LINERS



VINTAGE BROWN



GREY HERRINGBONE



BLACK PORCELAIN



MONTIGO / PARAGON / DVCT40CBP95N

MONTIGO / PARAGON / DVCT50CBP95N



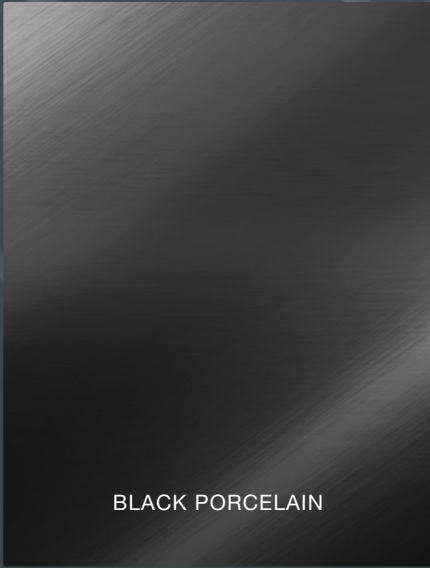




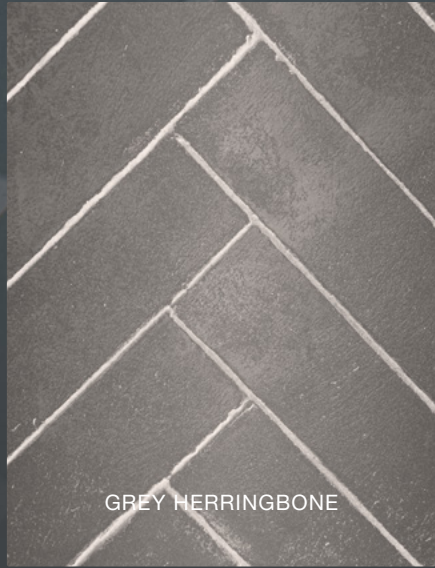
MONTIGO / PARAGON / DVCT40CSP95N

MONTIGO / PARAGON / DVCT40CBP95N / GREY HERRINGBONE





BLACK PORCELAIN



GREY HERRINGBONE

# LINERS



TAN BRICK



VINTAGE BROWN BRICK

# Unit Specifications

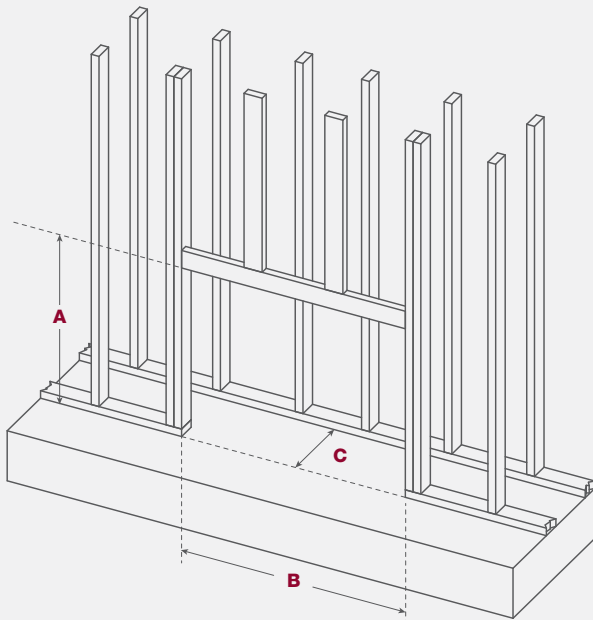
## ICON LEGEND

AVAILABLE	+	NOT AVAILABLE	-
DEDICATED	◊	STANDARD	◦

	BTU NATURAL GAS (MAX)	BTU LIQUID PROPANE (MAX)	VENTING	CLEARANCE TOP	CLEARANCE SIDES	CLEARANCE BACK	CLEARANCE FLOOR	FRONT VIEWING AREA	FRONT GLASS TYPE	STANDARD MEDIA	MICRO MESH SCREEN	POWERVENT	REMOTE CONTROL	FANS	UPLIGHTING	DOWNLIGHTING
DVCT36CBP95(N,P)-2	40,000	40,000	5"8"	36	2	0	0	31¼ × 34½	HIGH TEMPERATURE	N/A	◦	+	◦	+	-	◦
DVCT40CBP95(N,P)-2	47,500	45,000	5"8"	36	2	0	0	36 × 36½	HIGH TEMPERATURE	N/A	◦	+	◦	+	-	◦
DVCT50CBP95K(N,P)-1	56,500	55,000	5"8"	36	2	0	0	47¾ × 41½	HIGH TEMPERATURE	N/A	◦	+	◦	+	-	◦
DVCT40CSP95(N,P)-1	60,500	55,000	5"8"	24	3	0	0	31½ × 37¾	HIGH TEMPERATURE	N/A	◦	+	◦	+	-	◦

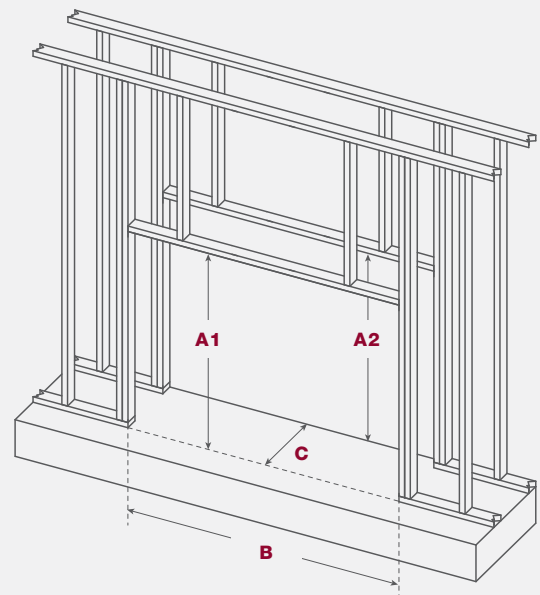
## DVCT SINGLE SIDED FRAMING

	A	B	C
DVCT36	53½	45½	22⅞
DVCT40	55½	49½	24
DVCT50	58½	58½	24



## DVCT SEE THROUGH FRAMING

	A1	A2	B	C
DVCT40CSP	59	59	57¾	23½
DVCT40CSP WITH OUTDOOR KIT	59	62	58	25½



Header on edge not required if framing meets clearance to venting

## 1976: The Days Before Gas Fireplaces

In 1976, Montigo president and founder, Dan Binzer, started installing zero-clearance wood burning fireplaces for local builders in Vancouver, BC. Over the years, demand grew for a gas alternative, and Dan engineered and manufactured the first ever sandpan logset. The logset was installed in a zero-clearance wood burning fireplaces shell, resulting in one of the first zero-clearance gas fireplaces on the market.

## 1985: Gas Fireplace Manufacturing Begins

Demand for gas grew rapidly, especially among multi-unit developments so Dan Binzer started a company called Canadian Heating that would offer full service design, engineering and manufacturing for gas fireplaces. Under the Montigo brand, Canadian Heating began manufacturing and selling a wide selection of zero-clearance gas fireplaces throughout Canada and in 1985 development began for the latest and greatest in gas fireplace technology – direct venting.

## 1994: Manufacturing Excellence is Achieved

Development and advancement of the gas fireplace continued over the years with continual developments to improve the efficiency of the fireplaces and perfected manufacturing processes to deliver an optimum fireplace each and every time – even for completely custom units.

## Present: Leading the Way with Modern Fireplace Design

As one of the first to bring a linear designed fireplace to market, Montigo now offers the largest selection of linear fireplaces demanded by designers, architects and homeowners wanting to create a modern and contemporary space and homeowners wanting to create a modern and contemporary space.

### **WARNING**

Some materials used in the manufacturing process of this product can expose you to Benzene which is known in the State of California to cause cancer and birth defects or other reproductive harm. For more information go to [www.P65warnings.ca.gov](http://www.P65warnings.ca.gov)

for more inspiration go to  
[www.montigo.com](http://www.montigo.com)

**MONTIGO**<sup>®</sup>  
the art of **fireplaces**



## Our Guarantee

Montigo<sup>®</sup> stands behind the craftsmanship and durability of our products by providing a 15 year warranty on the burner and firebox in all our residential fireplaces.



Printed in USA

XB2221