



# PARAGON

MULTI SIDED

## FEATURING TRUFLAME TECHNOLOGY

DVCT SEE THROUGH  
TRADITIONAL

### DVCT40CSP95N

SEE THROUGH  
DIRECT VENT

QUICK DIMENSIONS

|         | DVCT40CS |       |                             |
|---------|----------|-------|-----------------------------|
|         | UNIT     | FRAM. | FRAM.<br>(WITH OUTDOOR KIT) |
| F.WIDTH | 57¼      | 48    | 58                          |
| B.WIDTH | 57¼      | 48    | 58                          |
| HEIGHT  | 47½      | 59    | 62                          |
| DEPTH   | 24¾      | 23½   | 25½                         |
| VIEWING | 35 x 40¾ |       |                             |

**Standard**

- Micro mesh screen
- Multi-function remote control
- Remote Hi-Lo flame
- Halogen downlighting

**Options**

- Heat management
- Decorative fronts
- Traditional logsets<sup>†</sup>
- Traditional and contemporary liners<sup>†</sup>
- Indoor-outdoor kit
- Propane conversion kit
- WiFi phone app control



**BTU LISTING**

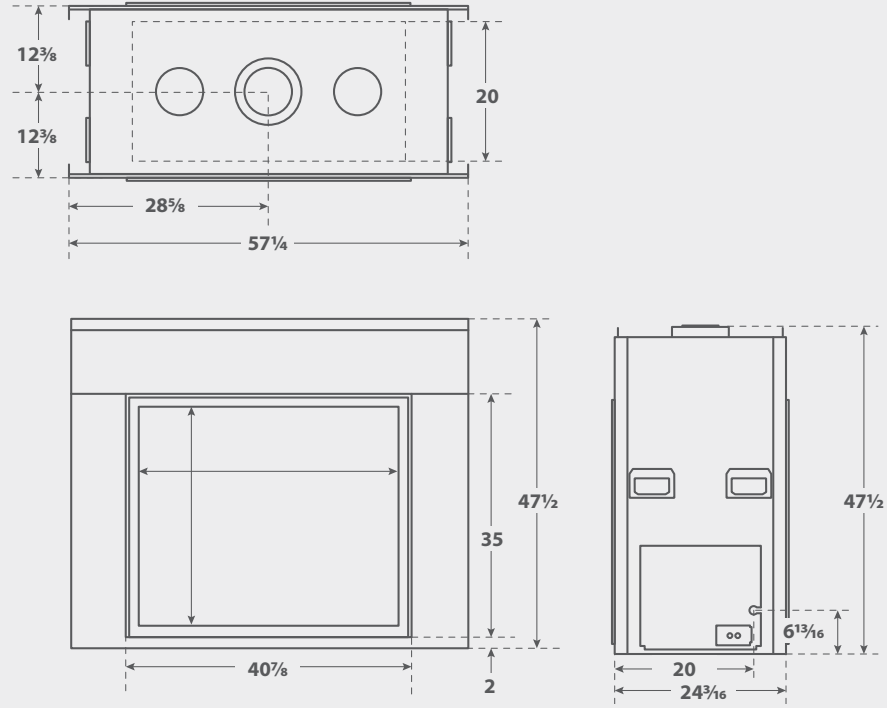
DVCT40NAT / 60,500  
DVCT40LP / 55,000

<sup>†</sup>Required for installation





**PARAGON DIMENSIONS**



MONTIGO / PARAGON / DVCT40CSP95N



MONTIGO / PARAGON / DVCT40CSP95N

OPTIONS & FEATURES



REMOTE



WIFI PHONE APP CONTROL



WALL REMOTE



DOWNLIGHTING



TRADITIONAL LOGETS

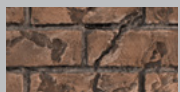


FANS



DECORATIVE FRONT

LINERS



VINTAGE BROWN



GREY HERRINGBONE



BLACK PORCELAIN

# Unit Specifications

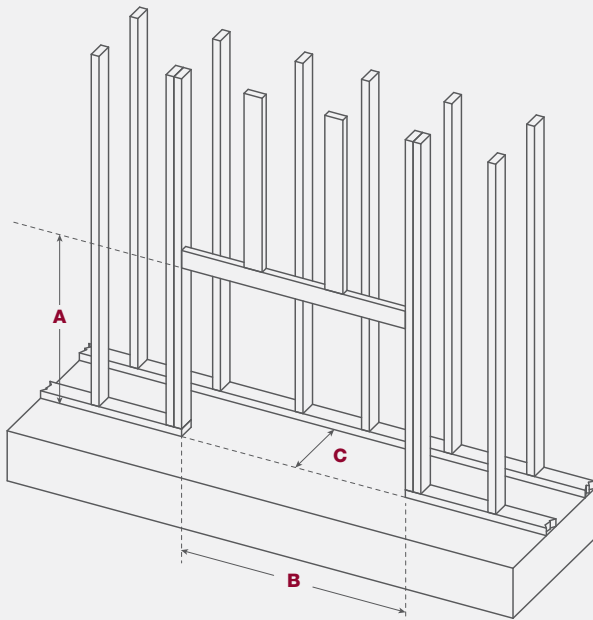
## ICON LEGEND

|           |   |               |   |
|-----------|---|---------------|---|
| AVAILABLE | + | NOT AVAILABLE | - |
| DEDICATED | ◊ | STANDARD      | ◦ |

|                     | BTU NATURAL GAS (MAX) | BTU LIQUID PROPANE (MAX) | VENTING | CLEARANCE TOP | CLEARANCE SIDES | CLEARANCE BACK | CLEARANCE FLOOR | FRONT VIEWING AREA | FRONT GLASS TYPE | STANDARD MEDIA | MICRO MESH SCREEN | POWERVENT | REMOTE CONTROL | FANS | UPLIGHTING | DOWNLIGHTING |
|---------------------|-----------------------|--------------------------|---------|---------------|-----------------|----------------|-----------------|--------------------|------------------|----------------|-------------------|-----------|----------------|------|------------|--------------|
| DVCT36CBP95(N,P)-2  | 40,000                | 40,000                   | 5"8"    | 36            | 2               | 0              | 0               | 31¼ × 34½          | HIGH TEMPERATURE | N/A            | ◦                 | +         | ◦              | +    | -          | ◦            |
| DVCT40CBP95(N,P)-2  | 47,500                | 45,000                   | 5"8"    | 36            | 2               | 0              | 0               | 36 × 36½           | HIGH TEMPERATURE | N/A            | ◦                 | +         | ◦              | +    | -          | ◦            |
| DVCT50CBP95K(N,P)-1 | 56,500                | 55,000                   | 5"8"    | 36            | 2               | 0              | 0               | 47¾ × 41½          | HIGH TEMPERATURE | N/A            | ◦                 | +         | ◦              | +    | -          | ◦            |
| DVCT40CSP95(N,P)-1  | 60,500                | 55,000                   | 5"8"    | 24            | 3               | 0              | 0               | 31½ × 37¾          | HIGH TEMPERATURE | N/A            | ◦                 | +         | ◦              | +    | -          | ◦            |

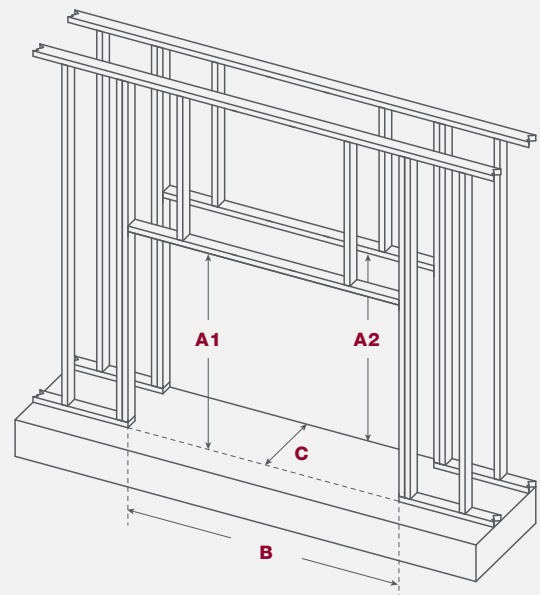
## DVCT SINGLE SIDED FRAMING

|        | A   | B   | C   |
|--------|-----|-----|-----|
| DVCT36 | 53½ | 45½ | 22⅞ |
| DVCT40 | 55½ | 49½ | 24  |
| DVCT50 | 58½ | 58½ | 24  |



## DVCT SEE THROUGH FRAMING

|                            | A1 | A2 | B   | C   |
|----------------------------|----|----|-----|-----|
| DVCT40CSP                  | 59 | 59 | 57¾ | 23½ |
| DVCT40CSP WITH OUTDOOR KIT | 59 | 62 | 58  | 25½ |



Header on edge not required if framing meets clearance to venting